

Distributed by:

JAMECO[®]
ELECTRONICS

www.Jameco.com ♦ 1-800-831-4242

The content and copyrights of the attached
material are the property of its owner.

Jameco Part Number 155542

HLMP-ELxx

HLMP-EHxx

HLMP-EDxx

Precision Optical Performance AlInGaP II LED Lamps



Data Sheet

Description

Precision Optical Performance AlInGaP II (aluminum indium gallium phosphide) LEDs offer superior light output for excellent readability in sunlight and dependable performance. The AlInGaP II technology provides extremely stable light output over long periods of time.

These LED lamps are untinted, nondiffused, T-1^{3/4} packages incorporating second generation optics which produce well defined radiation patterns at specific viewing cone angles.

These lamps are made with an advanced optical grade epoxy offering superior high temperature and high moisture resistance performance in outdoor signal and sign applications. The maximum LED junction temperature limit of +130° C enables high temperature operation in bright sunlight conditions. The epoxy contains both uv-a and uv-b inhibitors to reduce the effects of long term exposure to direct sunlight.

Features

- Well defined spatial radiation patterns
- Viewing angles: 15°, 23°, 30°
- High luminous output
- Colors:
 - 592 nm Amber
 - 617 nm Reddish-Orange
 - 630 nm Red
- High operating temperature:
T_{JLED} = +130°C
- Superior resistance to moisture

Benefits

- Viewing angles match traffic management requirements
- Colors meet automotive and traffic signal specifications
- Superior light output performance in outdoor environments
- Suitable for autoinsertion into PC boards

Applications

- Traffic management:
 - Traffic signals
 - Work zone warning lights
 - Variable message signs
- Commercial outdoor advertising:
 - Signs
 - Marquees
- Automotive:
 - Exterior and interior lights

**T-1³/₄ (5 mm) Precision Optical Performance AlInGaP II LED Lamps
Selection Guide**

Typical Viewing Angle $2\theta^{1/2}$ (Deg.) ^[4]	Color and Dominant Wavelength (nm), Typ. ^[3]	Lamps without Standoffs on Leads (Outline Drawing A)	Lamps with Standoffs on Leads (Outline Drawing B)	Luminous Intensity I _v (mcd) ^[1,2,5] @ 20 mA	
				Min.	Max.
15°	Amber 592	HLMP-EL16-S0000	HLMP-EL18-S0000	1900	–
		HLMP-EL16-TW000		2500	7200
		HLMP-EL16-UX000	HLMP-EL18-UX000	3200	9300
		HLMP-EL16-UXR00		3200	9300
		HLMP-EL16-VW000		4200	7200
		HLMP-EL16-VX400		7200	21000
		HLMP-EL16-VY000	HLMP-EL18-VY000	4200	12000
		HLMP-EL16-VYR00	HLMP-EL18-VYR00	4200	12000
		HLMP-EL16-VYK00		4200	12000
		HLMP-EL16-VYS00	HLMP-EL18-VYS00	4200	12000
	Red-Orange 617	HLMP-EH16-TW000		2500	7200
		HLMP-EH16-UX000	HLMP-EH18-UX000	3200	9300
		HLMP-EH16-VX0DD		4200	9300
	Red 630	HLMP-ED16-S0000	HLMP-ED18-S0000	1900	–
		HLMP-ED16-TW000	HLMP-ED18-TW000	2500	7200
			HLMP-ED18-TWT00	2500	7200
		HLMP-ED16-UX000	HLMP-ED18-UX000	3200	9300
		HLMP-ED16-UCT00	HLMP-ED18-UCT00	3200	9300
		HLMP-ED16-VX000	HLMP-ED18-VX000	4200	9300

Notes:

1. The luminous intensity is measured on the mechanical axis of the lamp package.
2. The optical axis is closely aligned with the package mechanical axis.
3. Dominant Wavelength, λ_d , is derived from the CIE Chromaticity Diagram and represents the color of the lamp.
4. $\theta_{1/2}$ is the off-axis angle where the luminous intensity is half the on-axis intensity.
5. Tolerance for each intensity bin limit is $\pm 15\%$.

T-1³/₄ (5 mm) Precision Optical Performance AllnGaP II Led Lamps (Continued)
 Selection Guide

Typical Viewing Angle 2 θ ^{1/2} (Deg.) ^[4]	Color and Dominant Wavelength (nm), Typ. ^[3]	Lamps without Standoffs on Leads (Outline Drawing A)	Lamps with Standoffs on Leads (Outline Drawing B)	Luminous Intensity I _v (mcd) ^[1,2,5] @ 20 mA	
				Min.	Max.
23°	Amber 592	HLMP-EL25-Q0000	HLMP-EL27-Q0000	1150	–
			HLMP-EL27-QTR00	1150	3200
		HLMP-EL25-RU000	HLMP-EL27-RU000	1500	4200
		HLMP-EL25-SU000		1900	4200
		HLMP-EL25-SVK00		1900	5500
		HLMP-EL25-SV000	HLMP-EL27-SV000	1900	5500
		HLMP-EL25-SVR00	HLMP-EL27-SVR00	1900	5500
		HLMP-EL25-TW000	HLMP-EL27-TW000	2500	7200
		HLMP-EL25-TWR00	HLMP-EL27-TWR00	2500	7200
		HLMP-EL25-TWK00		2500	7200
		HLMP-EL25-TWS00		2500	7200
		HLMP-EL25-UX000		3200	9300
	Red-Orange 617	HLMP-EH25-QT000	HLMP-EH27-QT000	1150	3200
		HLMP-EH25-SV000		1900	5500
		HLMP-EH25-TW000	HLMP-EH27-TW000	2500	7200
	Red 630	HLMP-ED25-RU000		3200	9300
		HLMP-ED25-RUT00		3200	9300
		HLMP-ED25-SV000	HLMP-ED27-SV000	1900	5500
		HLMP-ED25-TW000	HLMP-ED27-TW000	2500	7200
		HLMP-ED25-TWT00	HLMP-ED27-TWT00	2500	7200

Notes:

1. The luminous intensity is measured on the mechanical axis of the lamp package.
2. The optical axis is closely aligned with the package mechanical axis.
3. Dominant Wavelength, λ_d , is derived from the CIE Chromaticity Diagram and represents the color of the lamp.
4. $\theta_{1/2}$ is the off-axis angle where the luminous intensity is half the on-axis intensity.
5. Tolerance for each intensity bin limit is $\pm 15\%$.

T-1³/₄ (5 mm) Precision Optical Performance AllnGaP II Led Lamps (Continued)
 Selection Guide

Typical Viewing Angle $2\theta^{1/2}$ (Deg.) ^[4]	Color and Dominant Wavelength (nm), Typ. ^[3]	Lamps without Standoffs on Leads (Outline Drawing A)	Lamps with Standoffs on Leads (Outline Drawing B)	Luminous Intensity I_v (mcd) ^[1,2,5] @ 20 mA	
				Min.	Max.
30°	Amber 592	HLMP-EL31-P0000		880	–
		HLMP-EL31-QT000	HLMP-EL33-QT000	1150	3200
		HLMP-EL31-QTR00		1150	3200
		HLMP-EL31-SV000	HLMP-EL33-SV000	1900	5500
		HLMP-EL31-SVK00		1900	5500
		HLMP-EL31-SVR00	HLMP-EL33-SVR00	1900	5500
		HLMP-EL31-STR00		1900	3200
		HLMP-EL31-SUK00		1900	4200
		HLMP-EL31-SUS00		1900	4200
		HLMP-EL31-SUR00		1900	4200
		HLMP-EL31-SVK00		1900	5500
		HLMP-EL31-SVS00		1900	5500
	Red-Orange 617	HLMP-EH31-QT000		1150	3200
			HLMP-EH33-RU000	1500	4200
		HLMP-EH31-SV000	HLMP-EH33-SV000	1900	5500
	Red 630	HLMP-ED31-Q0000	HLMP-ED33-Q0000	1150	–
		HLMP-ED31-QTT00		1150	3200
		HLMP-ED31-ST000		1900	3200
		HLMP-ED31-SUT00		1900	4200
		HLMP-ED31-RU000		1500	4200
		HLMP-ED31-RUT00	HLMP-ED33-RUT00	1500	4200
		HLMP-ED31-SV000	HLMP-ED33-SV000	1900	5500
		HLMP-ED31-SVT00	HLMP-ED33-SVT00	1900	5500

Notes:

1. The luminous intensity is measured on the mechanical axis of the lamp package.
2. The optical axis is closely aligned with the package mechanical axis.
3. Dominant Wavelength, λ_d , is derived from the CIE Chromaticity Diagram and represents the color of the lamp.
4. $\theta_{1/2}$ is the off-axis angle where the luminous intensity is half the on-axis intensity.
5. Tolerance for each intensity bin limit is $\pm 15\%$.

Part Numbering System

HLMP- x x xx - x x x xx

Mechanical Options

- 00: Bulk Packaging
- DD: Ammo Pack
- YY: Flexi-Bin, Bulk Packaging
- ZZ: Flexi-Bin; Ammo Pack

Color Bin & V_F Selections

- 0: No color bin limitation
- 4: Amber color bin 4 only
- K: Amber color bins 2 and 4 only
- L: Color bins 4 and 6
- R: Amber color bins 1, 2, 4, and 6 with V_F max of 2.6 V
- S: Amber color bins 2 and 4 with V_F max of 2.6 V
- T: Red color with V_F max of 2.6 V
- U: Amber color bin 4 with V_F max of 2.6 V
- W: Color bins 2, 4 and 6 with V_F max of 2.6 V
- Y: Color bins 4 and 6 with V_F max of 2.6 V

Maximum Intensity Bin

- 0: No I_v bin limitation

Minimum Intensity Bin

Viewing Angle and Lead Standoffs

- 16: 15 degree without lead standoffs
- 18: 15 degree with lead standoffs
- 25: 23 degree without lead standoffs
- 27: 23 degree with lead standoffs
- 31: 30 degree without lead standoffs
- 33: 30 degree with lead standoffs

Color

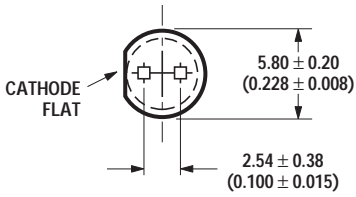
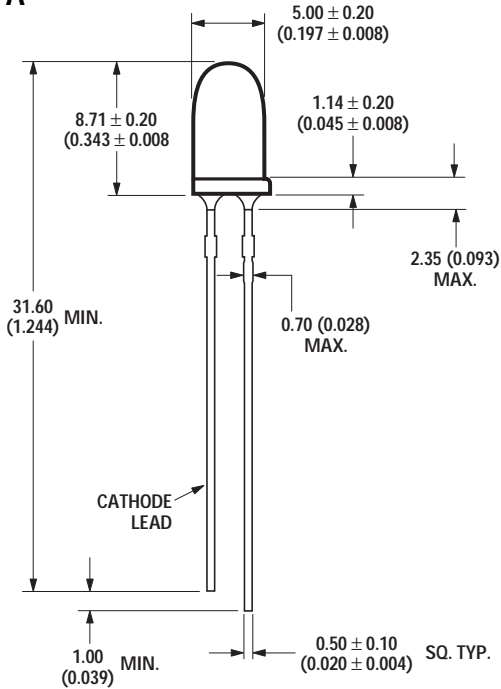
- D: 630 nm Red
- H: 615 nm Red-Orange
- L: 592 nm Amber

Package

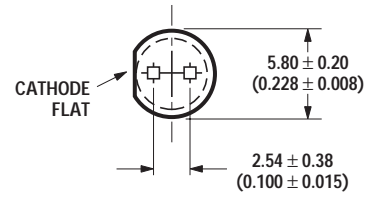
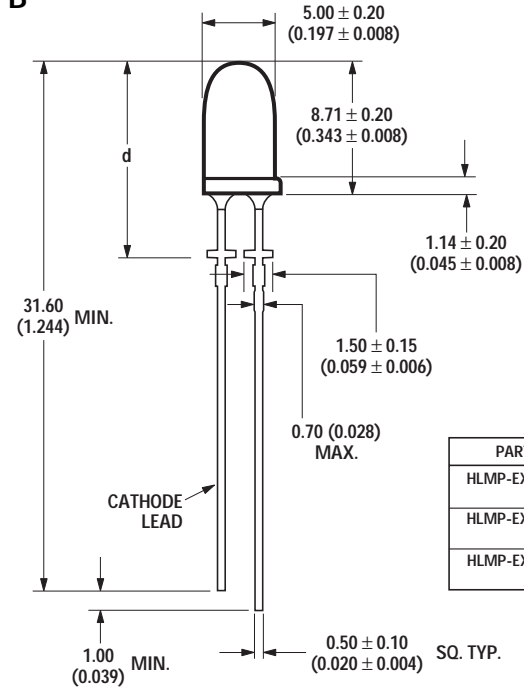
- E: 5 mm Round

Package Dimensions

A



B



PART NO.	d
HLMP-EX18-xxxxx	12.60 ± 0.18 (0.496 ± 0.007)
HLMP-EX27-xxxxx	11.59 ± 0.25 (0.446 ± 0.010)
HLMP-EX33-xxxxx	11.99 ± 0.25 (0.472 ± 0.010)

Absolute Maximum Ratings at T_A = 25°C

DC Forward Current ^[1,2,3]	50 mA
Peak Pulsed Forward Current ^[2,3]	100 mA
Average Forward Current	30 mA
Reverse Voltage (I _R = 100 μA)	5 V
LED Junction Temperature	130°C
Operating Temperature	-40°C to +100°C
Storage Temperature	-40°C to +120°C
Wave Solder Temperature	250°C for 3 seconds
Solder Dipping Temperature	260°C for 5 seconds [1.59 mm (0.060 in.) below body]

Notes:

- Derate linearly as shown in Figure 4.
- For long term performance with minimal light output degradation, drive currents between 10 mA and 30 mA are recommended. For more information on recommended drive conditions, please refer to Application Brief I-024 (5966-3087E).
- Please contact your sales representative about operating currents below 10 mA.

Electrical/Optical Characteristics at $T_A = 25^\circ\text{C}$

Parameter	Symbol	Min.	Typ.	Max.	Units	Test Conditions
Forward Voltage ^[1]						$I_F = 20\text{ mA}$
Amber ($\lambda_d = 592\text{ nm}$)	V_F		2.30	2.60	V	
Red-Orange ($\lambda_d = 617\text{ nm}$)			2.35			
Red ($\lambda_d = 630\text{ nm}$)			2.40			
Reverse Voltage	V_R	5	20		V	$I_R = 100\ \mu\text{A}$
Peak Wavelength						Peak of Wavelength of Spectral Distribution at $I_F = 20\text{ mA}$
Amber	λ_{PEAK}		594		nm	
Red-Orange			623			
Red			639			
Spectral Halfwidth Distribution	$\Delta\lambda_{1/2}$		17		nm	Wavelength Width at Spectral $1/2$ Power Point at $I_F = 20\text{ mA}$
Speed of Response	τ_s		20		ns	Exponential Time Constant, e^{-t/τ_s}
Capacitance	C		40		pF	$V_F = 0, f = 1\text{ MHz}$
Thermal Resistance	$R\Theta_{\text{J-PIN}}$		240		$^\circ\text{C}/\text{W}$	LED Junction-to-Cathode Lead
Luminous Efficacy ^[2]						Emitted Luminous Power/Emitted Radiant Power at $I_F = 20\text{ mA}$
Amber	η_v		500		lm/W	
Red-Orange			235			
Red			155			
Luminous Flux			1000		mlm	$I_F = 20\text{ mA}$
Luminous Efficiency						Emitted Luminous Flux/Electrical Power
Amber			22		lm/W	
Red-Orange			22			
Red			21			

Notes:

- For option not -xxRxx, -xxSxx, -xxTxx, -xxUxx, -xxWxx, -xxYxx, please refer to Figure 2b.
- The radiant intensity, I_e , in watts per steradian, may be found from the equation $I_e = I_v/\eta_v$, where I_v is the luminous intensity in candelas and η_v is the luminous efficacy in lumens/watt.

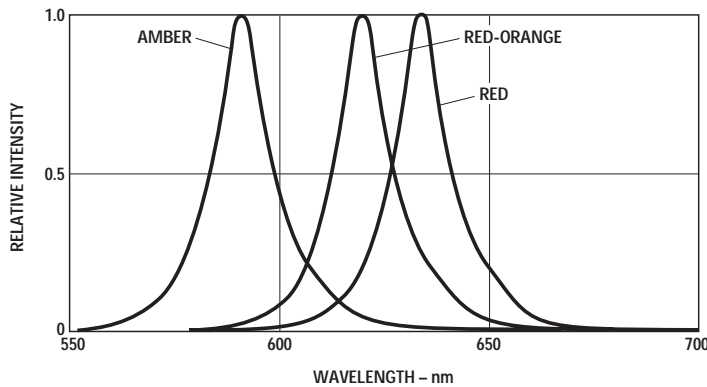


Figure 1. Relative intensity vs. peak wavelength

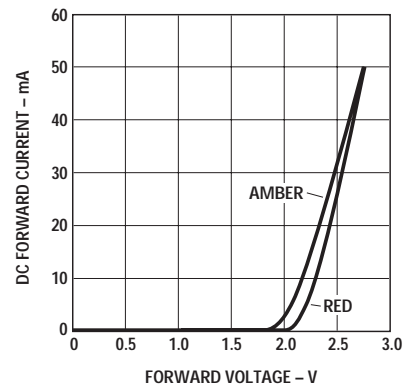


Figure 2a. Forward current vs. forward voltage for option -xxRxx, -xxSxx, -xxTxx, -xxUxx, -xxWxx and -xxYxx

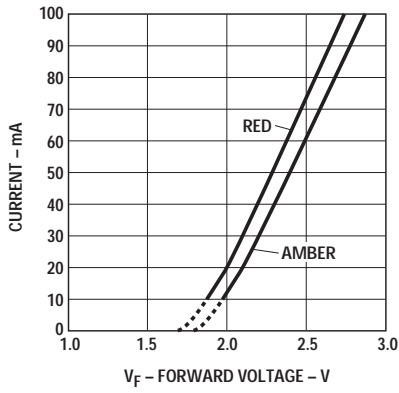


Figure 2b. Forward current vs. forward voltage

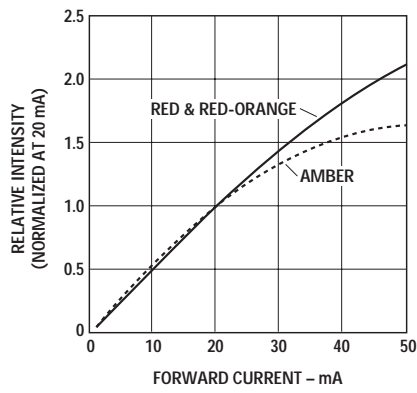


Figure 3. Relative luminous intensity vs. forward current

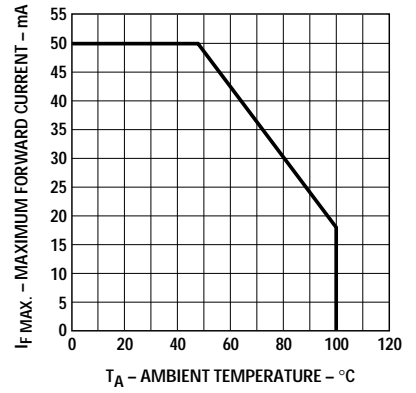


Figure 4. Maximum forward current vs. ambient temperature

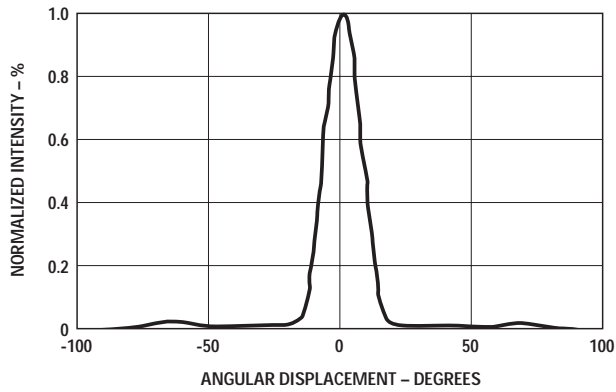


Figure 5. Representative spatial radiation pattern for 15° viewing angle lamps

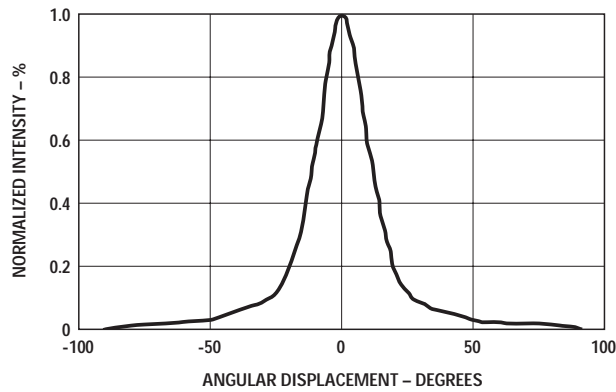


Figure 6. Representative spatial radiation pattern for 23° viewing angle lamps

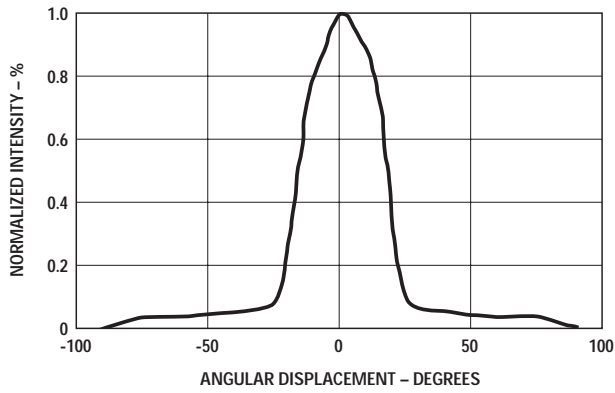


Figure 7. Representative spatial radiation pattern for 30° viewing angle lamps

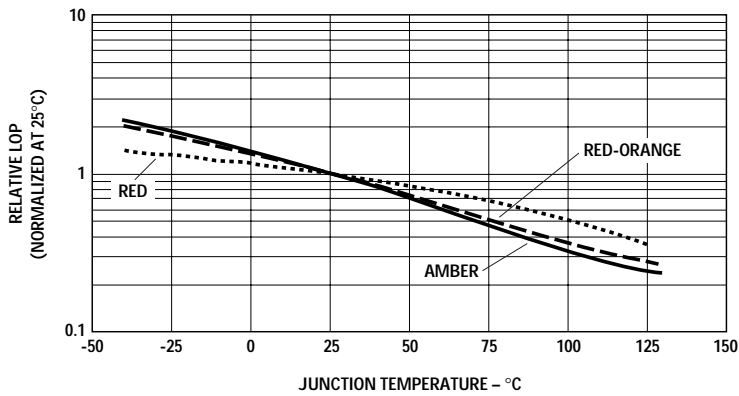


Figure 8. Relative light output vs. junction temperature

**Intensity Bin Limits
(mcd at 20 mA)**

Bin Name	Min.	Max.
P	880	1150
Q	1150	1500
R	1500	1900
S	1900	2500
T	2500	3200
U	3200	4200
V	4200	5500
W	5500	7200
X	7200	9300
Y	9300	12000
Z	12000	16000

Tolerance for each bin limit is ±15%.

**Amber Color Bin Limits
(nm at 20 mA)**

Bin Name	Min.	Max.
1	584.5	587.0
2	587.0	589.5
4	589.5	592.0
6	592.0	594.5

Tolerance for each bin limit is ±0.5 nm.

Notes:

1. Bin categories are established for classification of products. Products may not be available in all bin categories.
2. Vf Bin table only available for those part number with options -xxRxx, -xxSxx, -xxTxx, -xxUxx, -xxWxx, -xxYxx.

Vf Bin Table^[2]

Bin Name	Min.	Max.
VA	2.0	2.2
VB	2.2	2.4
VC	2.4	2.6

Tolerance for each bin limit is ±0.05 V.

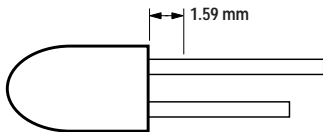
Precautions

Lead Forming

- The leads of an LED lamp may be preformed or trimmed to applicable length prior to insertion and soldering on PC board.
- If lead forming is required before soldering, care must be taken to avoid any excessive mechanical stress that is induced into the LED package. Otherwise, trim the leads to applicable length at room temperature after soldering process. The solder joint formed will absorb the mechanical stress, due to the lead cutting, from flowing to the wire bonding area and LED chip die attach.
- For better control, it is recommended to use proper tool to precisely form and cut the leads to applicable length rather than doing it manually.

Soldering Condition

- Extra care must be taken during PCB assembly and soldering process to prevent damage to the LED component.
- The closest distance of manual soldering from the soldering heat source (soldering iron's tip) to the body is 1.59 mm. Damage might occur if the LED soldering distance is less than 1.59 mm. Please refer to the illustration below.



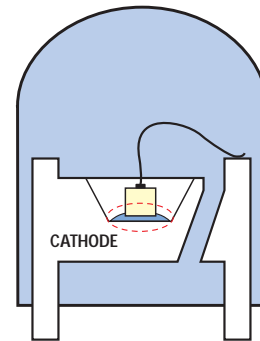
Recommended Soldering Condition

	Wave Soldering	Manual Solder Dipping
Pre-Heat Temperature	105°C max.	–
Pre-Heat Time	30 sec max.	–
Peak Temperature	250°C max.	260°C max.
Dwell Time	3 sec max.	5 sec max.

- Wave soldering parameter must be set and maintained according to the recommended soldering condition. Customer is advised to daily check on the soldering profile to ensure that the soldering profile is always corresponding to Avago recommended soldering condition.

Notes:

1. PCB with different size and design (component density) will have different heat mass (heat capacity). This might cause a change in temperature experienced by the board if same wave soldering setting is used. So, it is recommended to recalibrate the soldering profile again before loading a new type of PCB.
2. Avago Technologies' high brightness LEDs use a high efficiency LED die with single wire bond, as shown below. Customer is advised to take extra precaution during wave soldering to ensure that the maximum wave temperature does not exceed 250°C. Over-stressing the LED during soldering process might cause premature failure to the LED due to delamination.



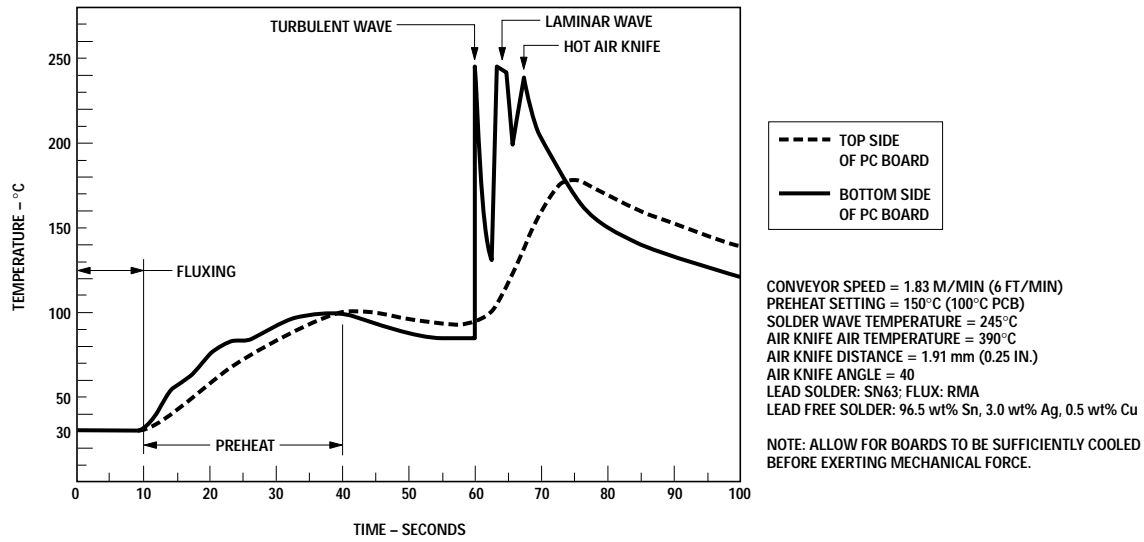
Note: Electrical connection between bottom surface of LED die and the lead frame material through conductive paste of solder.

- Special attention must be given to board fabrication, solder masking, surface plating and lead holes size and component orientation to assure the solderability.

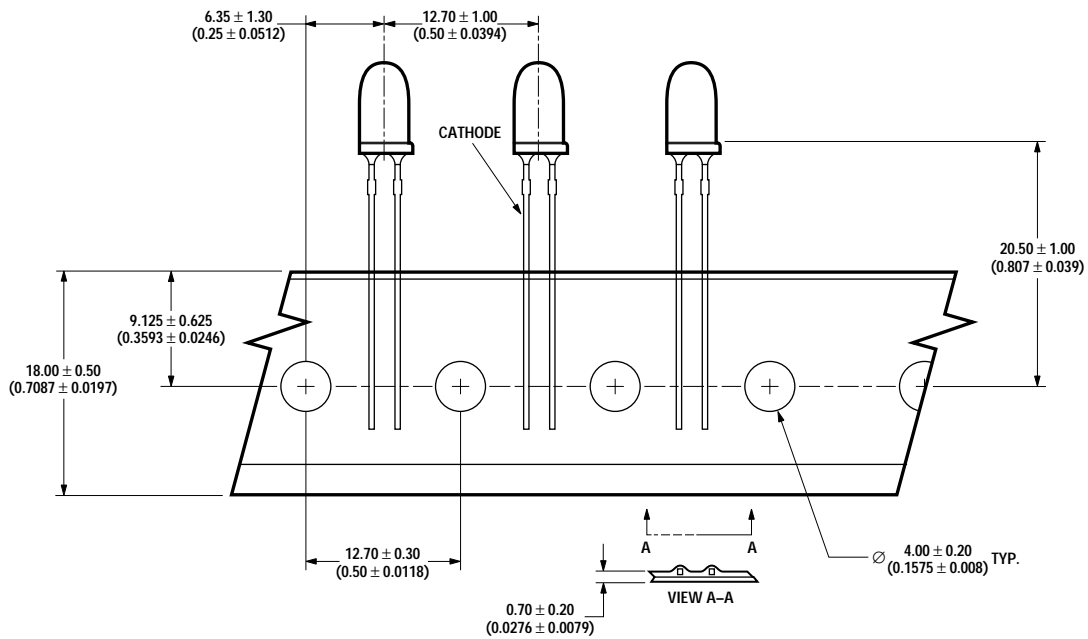
Recommended PC Board Plated Through Holes Size for LED Component Leads

LED Component Lead Size	Diagonal	Plated Through Hole Diameter
0.457 x 0.457 mm (0.018 x 0.018 inch)	0.646 mm (0.025 inch)	0.976 to 1.078 mm (0.038 to 0.042 inch)
0.508 x 0.508 mm (0.020 x 0.020 inch)	0.718 mm (0.028 inch)	1.049 to 1.150 mm (0.041 to 0.045 inch)

Note: Refer to Application Note AN1027 for more information on soldering LED components.



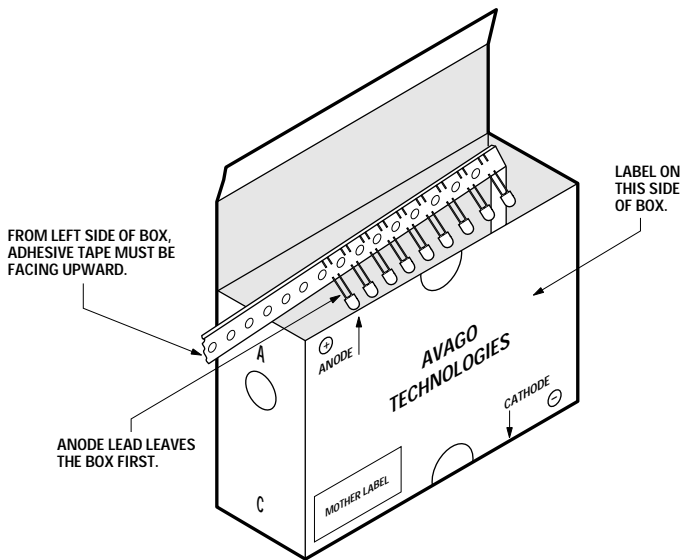
Ammo Pack Drawing



ALL DIMENSIONS IN MILLIMETERS (INCHES).

NOTE: THE AMMO-PACKS DRAWING IS APPLICABLE FOR PACKAGING OPTION -DD & -ZZ AND REGARDLESS OF STANDOFF OR NON-STANDOFF.

Packaging Box for Ammo Packs



NOTE:
THE DIMENSION FOR AMMO PACK IS APPLICABLE FOR THE DEVICE WITH STANDOFF AND WITHOUT STANDOFF.

DISCLAIMER

AVAGO'S PRODUCTS AND SOFTWARE ARE NOT SPECIFICALLY DESIGNED, MANUFACTURED OR AUTHORIZED FOR SALE AS PARTS, COMPONENTS OR ASSEMBLIES FOR THE PLANNING, CONSTRUCTION, MAINTENANCE OR DIRECT OPERATION OF A NUCLEAR FACILITY OR FOR USE IN MEDICAL DEVICES OR APPLICATIONS. CUSTOMER IS SOLELY RESPONSIBLE, AND WAIVES ALL RIGHTS TO MAKE CLAIMS AGAINST AVAGO OR ITS SUPPLIERS, FOR ALL LOSS, DAMAGE, EXPENSE OR LIABILITY IN CONNECTION WITH SUCH USE.

For product information and a complete list of distributors, please go to our website: www.avagotech.com

Avago, Avago Technologies, and the A logo are trademarks of Avago Technologies Limited in the United States and other countries. Data subject to change. Copyright © 2007 Avago Technologies Limited. All rights reserved. Obsoletes AV01-0701EN AV02-0342EN April 23, 2007

AVAGO
TECHNOLOGIES