

ES-246 ETHERNET TO SERIAL DEVICE SERVER

Ethernet 1 Port RS232

CONNECT, CONFIGURE, CONTROL YOUR SERIAL DEVICES

Features

- 1 port RS232
- Max baud rate 1,000,000 1 MegaBaud
- 10/100Base TX Ethernet port
- User friendly interface, simple to use, powerful in operation
- Web configuration and RFC2217 compliant interface for non-Windows users
- IP-30 rated enclosure
- LED status indication
- Optional DIN rail mounting kit
- Serial Port Tunneling (individually configurable) allows serial cable replacement over any distance, no software required
- Power supply included (power input 5-30V DC)
- Simple operation for each and every operating system!



Description

Ethernet to Serial device server providing access to one RS232 serial port. Data transfer rates up to 1,000,000 baud, coupled with 1Mbit/s line drivers deliver uncompromising performance. Our ES range provides simple instant networked serial ports. A web interface allows secure configuration and control of the serial ports over a local network or the internet using any browser. For Windows our in-house designed 32 bit and 64 bit driver gives you local COM ports, retaining existing software applications and allowing you to connect across your network to remote devices just as if they were attached locally. Serial Port Tunneling individually configurable allows serial cable replacement over any distance, no software required. You can access the device via TCP/IP sockets from any networked device like an Android tablet, PC or phone. On Windows OS TCP/IP sockets are handled by the Winsock API, this will differ on other OSs.

Windows Users - Our software drivers gives you local COM ports, allowing you to retain your existing software applications and connect to your devices over the network. COM Port can be assigned from COM1 to COM255 and the Brainboxes Ethernet to serial device remembers your COM Port assignment on reboots.

Web Interface Users (Linux/Apple OS/Android) - Alternatively access the device via TCP/IP socket from any networked device. Configure options via web interface.

Extend your reach! Remote serial devices with local control. With Brainboxes industry renowned Lifetime Warranty and Lifetime Support!

Example Application



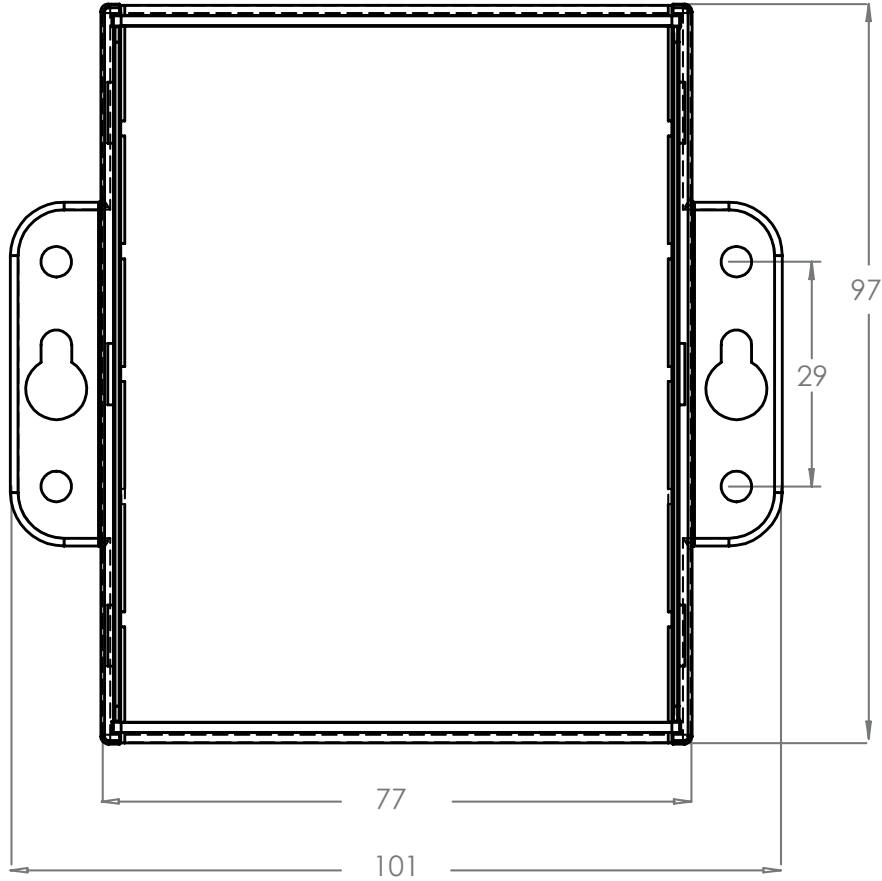
Industrial PC

WWW

ES-246

CNC Machine(s)

Box Information



LED Information

Status LED

Green	Device Ready
Flashing Yellow	Changing Settings
Flashing between Red & Green	Querying IP
Flashing Green/Red	User performing Hard Reset
Flashing between Green & Red/Yellow	IP address diagnostic
Flashing between Green & Yellow	Initialization diagnostic

Serial Port LEDs

Green light on	Port Open
Flashing Green	Data RX / TX

Network LED

Green light on	Link Established
Flashing Green	Data RX / TX

Port

Ports	1 port RS232
Connector	DB9 Connector - 9 Pin Male
Power Input	5 - 30V DC input, reverse polarity protected
Power Consumption	0.76W Typical

Port Settings - RS232

Baud Rate	From 110 - 1,000,000 1 MegaBaud
Data Bits	5,6,7 or 8
Parity	Odd, Even, None, Mark or Space
Stop Bits	1 or 2
Flow Control	RTS/CTS, DSR/DTR, XON/XOFF
Tx/Rx Modes	Point to Point

Port Settings - Ethernet

Data Rate	10/100 Mega bits/second
Cabling	Normal / Crossover auto-sensing (Auto-MDIX)

Environmental

Operating Temperature	0 to 55°C
Storage Temperature	-20 to 85°C
Ambient Relative Humidity	5 to 95% (non-condensing)
Housing	IP-30 rated case

Software

Network Protocols	ICMP, IP, TCP, UDP, DHCP, BOOTP, Telnet, HTTP, RFC2217
Data Transfer Protocol	TCP
Configuration Options	Windows Utility, Web Interface
OS Compatibility	Microsoft Windows 8 32 bit 64 bit Editions / Microsoft Windows 7 32 bit 64 bit Editions / Windows Server 2008 32 bit 64 bit Editions / Windows Vista 32 bit 64 bit Editions / Windows Server 2003 32 bit 64 bit Editions / Windows XP 32 bit 64 bit Editions / Fully RFC2217 compliant / Interface for other OS's & Linux

Approvals

Industry Approvals	AEO C-TPAT Microsoft Certified Gold Partner WEEE RoHS EMC: CE TAA
Microsoft Approvals	Microsoft Certified Gold Partner
Microsoft Signed Drivers	Windows 7 32 bit 64 bit Editions



GB AEOF 00031/11



Packing Information

Packaging	Quick Start Guide, Country Specific Power Supply, Installation CD including manual, Microsoft signed drivers & utilities
Device	Ethernet 1 Port RS232
Accessory Items	Global Power Supply - PW-800 (included), DIN-Rail Mounting Kit - MK-048
Packaged Weight	0.362 kg
Packaged Dims	200l x 135w x 80h mm

Product Support

Warranty	Lifetime - online registration required
Support	Lifetime Web, Email and Phone Support from fully qualified, friendly staff who work in and alongside the Product Development Team

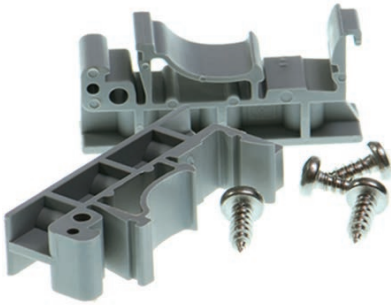


Additional Information

OEM option	Available for bulk buy OEM
Made In	Manufactured in the UK by Brainboxes Winner 2005 European Electronics Industry Awards 'Manufacturer of the Year'
Customisable	Brainboxes operate a 'Perfect Fit Custom Design' policy for volume users. More info: sales@brainboxes.com

Accessory Items

ORDER CODE - DIN-Rail Mounting Kit - MK-048



ORDER CODE - Additional Global Power Supply - PW-800

