

Features

- Recommended for reflow soldering
- Low profile
- Long operational life
- Bottom and top adjust
- For trimmer applications/processing guidelines, [click here](#)



Model TC88 is **not** recommended for new designs. Model 3382G-1-(RC) is the recommended alternative.

TC88 - 10 mm SMD Position Sensor

Electrical Characteristics

Standard Resistance 10K ohms
 Resistance Tolerance ±30 % std.
 Linearity ±2.5 % max.
 Resolution Essentially infinite
 Adjustment Angle 320 ° ±20 °

Environmental Characteristics

Power Rating (5 VDC max.)
 50 °C 0.05 watt
 Operating Temperature
 -40 °C to +85 °C
 Storage Temperature
 -40 °C to +85 °C
 Rotational Cycling 100,000 cycles
 TRS ±15 %

Physical Characteristics

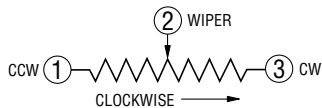
Torque 0.30 gf-cm
 Mechanical Angle 360 °
 Standard Packaging
 1500 pcs./15 " reel

Aqueous cleaning not recommended.

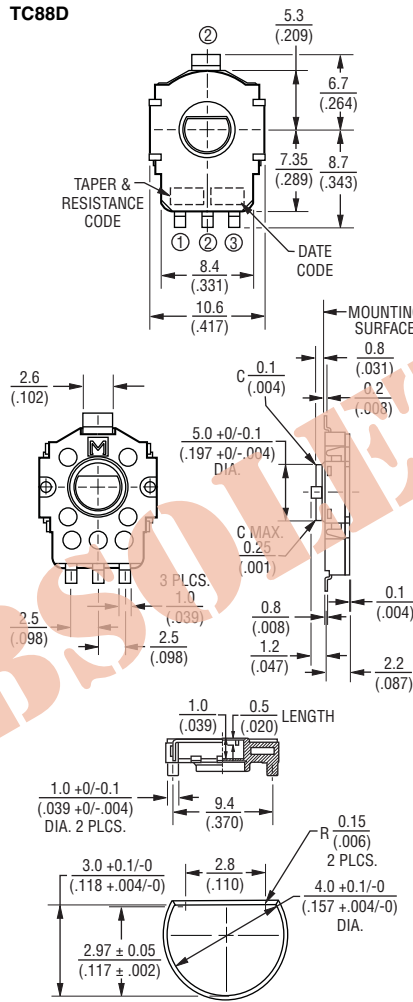
How To Order

TC88 D - 1 - 103 E

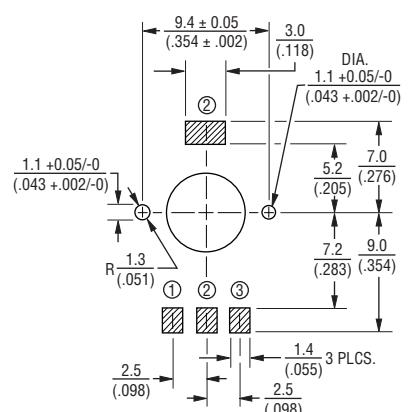
Model _____
 Style _____
 Standard Product Indicator
 -1 = Standard Product Indicator
 Resistance Code _____
 Embossed Tape Designator _____
 E = 1500 pcs./15 " Reel (Standard)



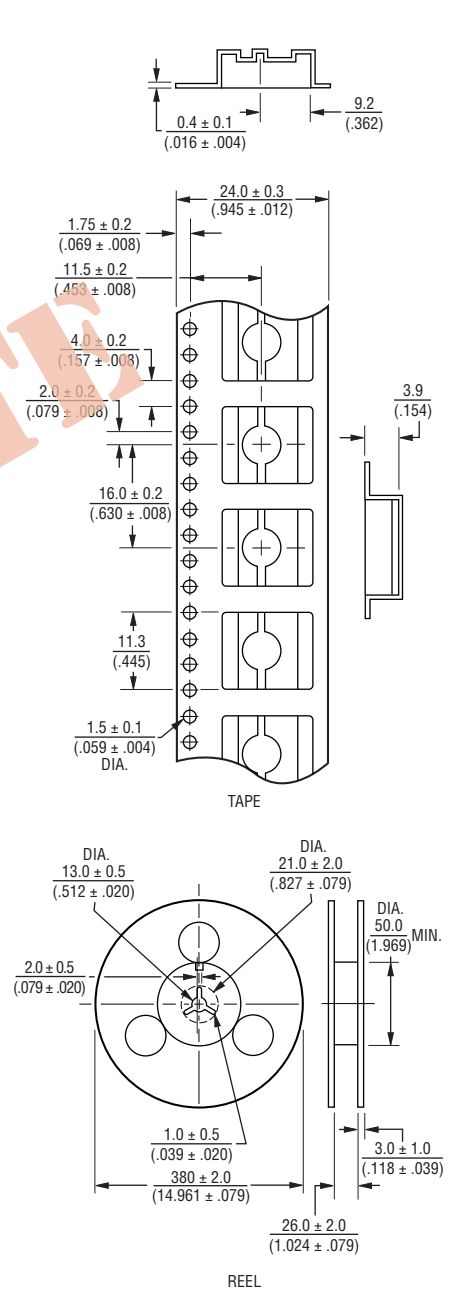
Product Dimensions



Recommended Land Pattern



Packaging Specifications



DIMENSIONS: $\frac{\text{MM}}{\text{(INCHES)}}$
 TOLERANCES: ± $\frac{0.3}{(.012)}$ EXCEPT WHERE NOTED