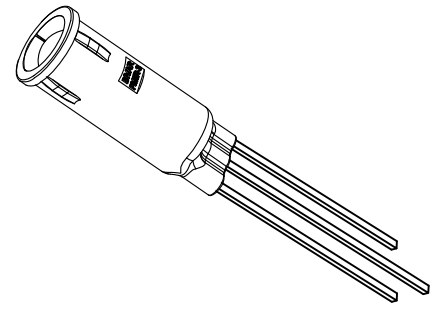
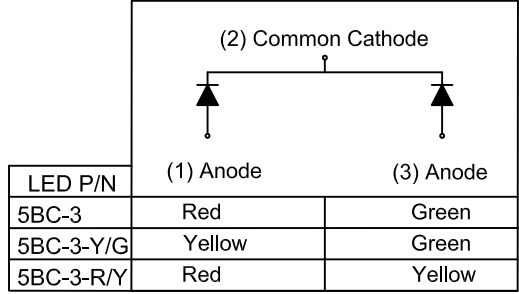
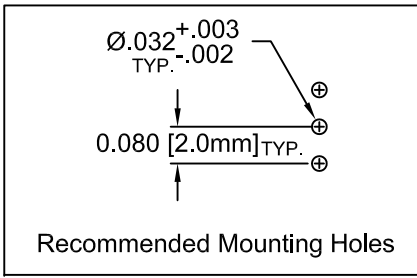
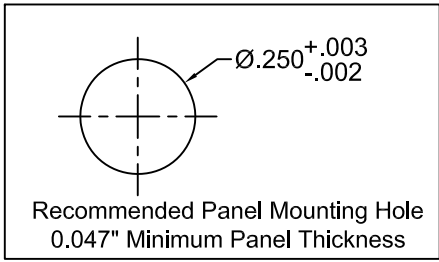
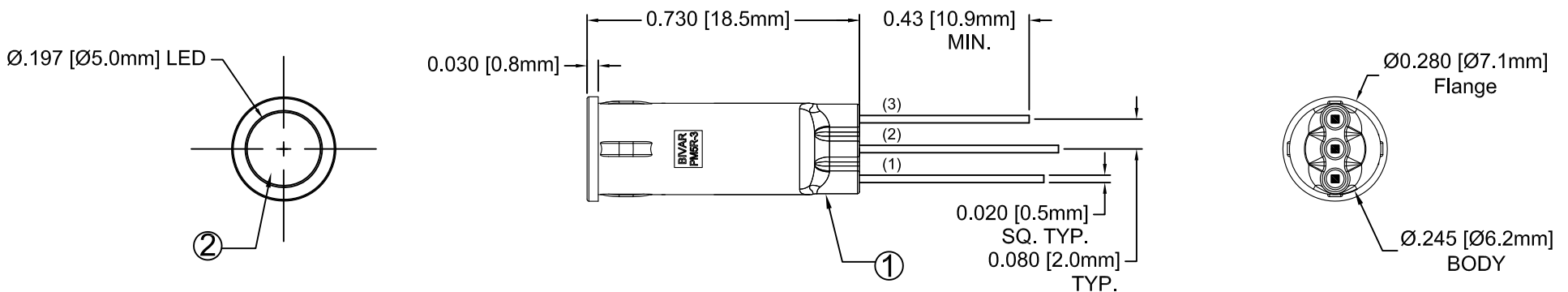


ITEM	Q'TY	PART NUMBER	PART DESCRIPTION
1	1	PM5R-3	LED Holder, 3-Lead Panel Mount, Press Fit, (5mm)
2	1	5BC-3-XX	T1 ¼ (5mm) 3-Lead Shouldered Bi-color LED, See Page 2.

REV.	DESCRIPTION	DATE	APPROVED
A	Engineering Release	12/02/08	T. Y.
B	Updated LED on Polarity Diagram	09/01/09	T. Y.



ABSOLUTE MAXIMUM RATINGS (Ta = 25°C)

- REVERSE VOLTAGE _____ 5V
- REVERSE CURRENT (VR=5V) _____ 100µA
- OPERATING TEMPERATURE RANGE _____ -25°C ~ 85°C
- STORAGE TEMPERATURE _____ -30°C ~ 100°C
- LEAD SOLDERING TEMPERATURE (1/16" FROM BODY) _____ 260°C for 5 Seconds

STANDARD TOLERANCE (UNLESS OTHERWISE SPECIFIED)		BIVAR [®] 4 THOMAS, IRVINE, CA. 92618 TEL: (949) 951-8808 FAX: (949) 951-3974
DECIMALS	ANGULAR	
.X ±.1	X° ± 1°	
.XX ±.02		TITLE: T1 ¼ (5mm) PANEL MOUNT ASSEMBLY, 3-LEAD RECESSED
.XXX ±.010		
DESIGNED: Brian Olliver	DATE: 12/02/08	PART NO: PM5R3-XX REVISION: B
CHECKED: F. Jensen	DATE: 12/02/08	CAGE CODE : 32559 SHEET # 1 OF 2 <small>CAD GENERATED DOCUMENT. DO NOT MEASURE DRAWING.</small>

