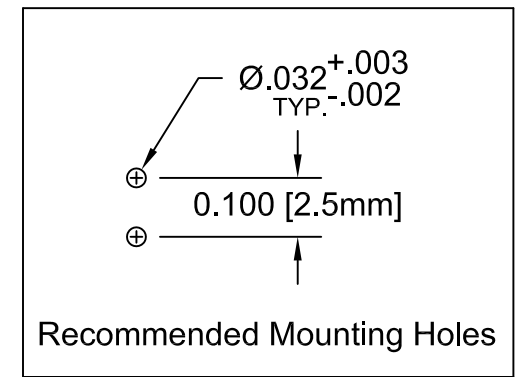
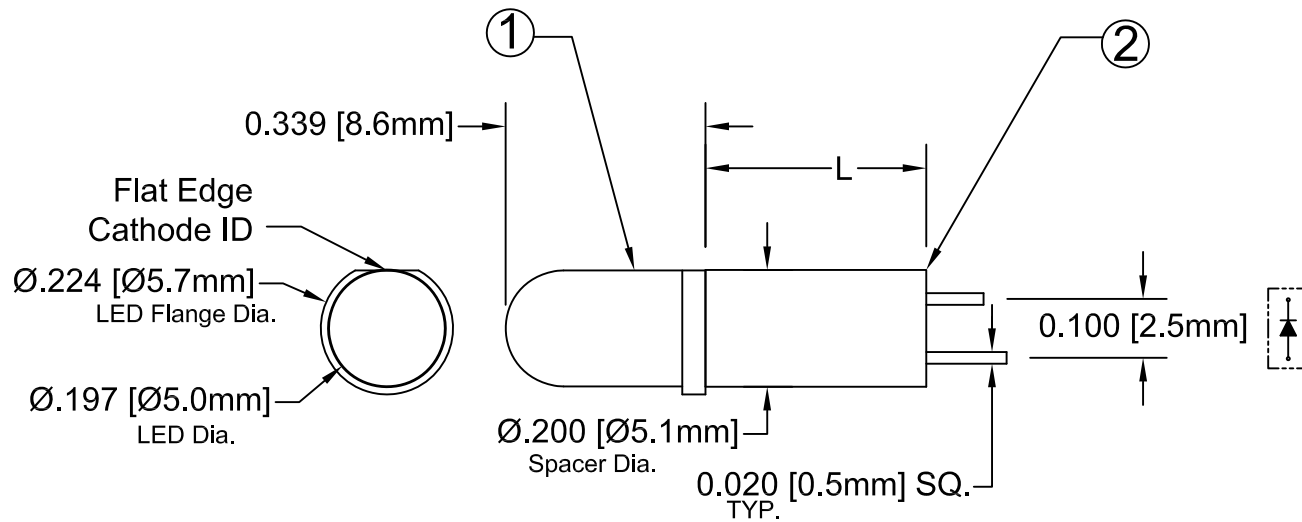


ITEM	Q'TY	PART NUMBER	PART DESCRIPTION
1	1	5UXX-F	T-1¼ (5mm) Flanged LED, See Page 2
2	1	ELM1XXX	Extruded, Self-Retaining LED Spacer

REV.	DESCRIPTION	DATE	APPROVED
A	Engineering Release.	09/21/06	M. C.
B	Removed Tolerance Note.	09/03/08	M. C.
C	Added Tape & Reel Options.	06/06/11	T. Y.
D	Tape & Reel Design Update.	11/21/11	T. Y.





### ABSOLUTE MAXIMUM RATINGS (Ta=25°C)

REVERSE VOLTAGE	_____	5V
REVERSE CURRENT	_____	100µA
OPERATING TEMPERATURE RANGE	_____	-25° C - 85° C
STORAGE TEMPERATURE	_____	-30° C - 100° C
LEAD SOLDERING TEMPERATURE(1/16" FROM BODY)	_____	260° C FOR 5 SECONDS

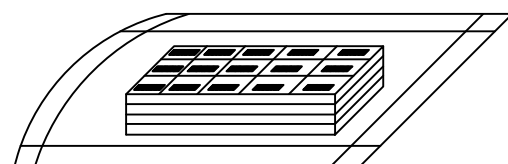
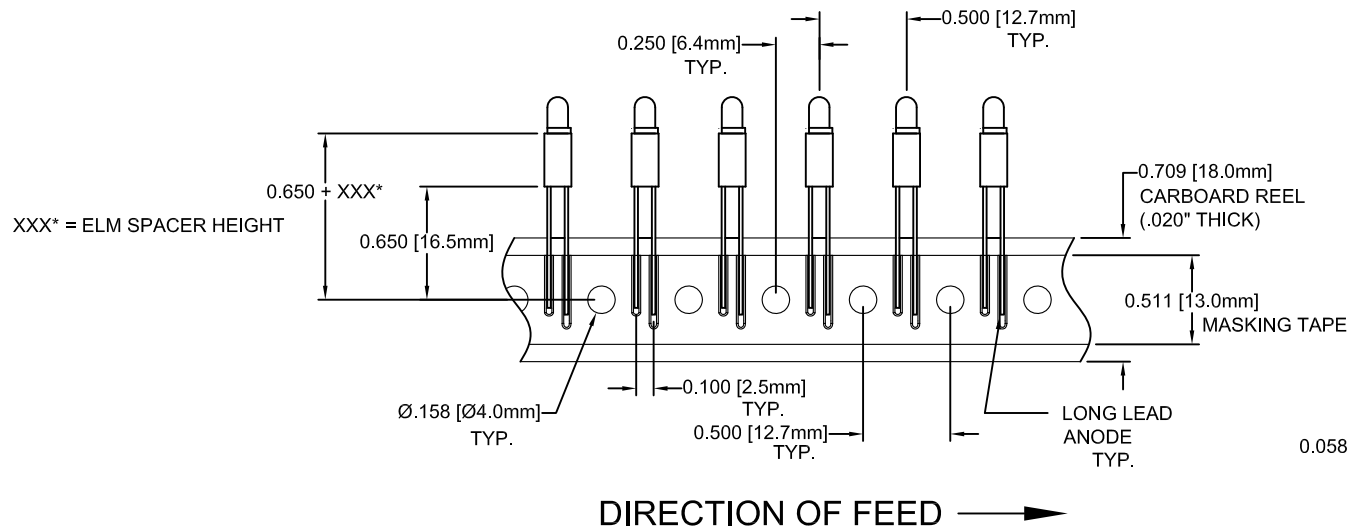
STANDARD TOLERANCE ( UNLESS OTHERWISE SPECIFIED )		<b>BIVAR</b> <sup>®</sup> 4 THOMAS, IRVINE, CA. 92618 TEL: (949) 951-8808 FAX: (949) 951-3974
DECIMALS	ANGULAR	
.X ±.1	X° ± 1°	
.XX ±.02		
.XXX ±.010		
DESIGNED: <b>Dan Beckman</b>	DATE: <b>09/21/06</b>	TITLE: EXTRUDED VERTICAL T-1¼ (5mm) LED NARROW PROFILE ASSY
CHECKED: <b>T. Yin</b>	DATE: <b>09/21/06</b>	PART NO: ELM1XXX5UXX REVISION: <b>D</b>
		CAGE CODE : 32559 SHEET # 1 OF 3
CAD GENERATED DOCUMENT, DO NOT MEASURE DRAWING.		

REV.	DESCRIPTION	DATE	APPROVED
	See Page 1		

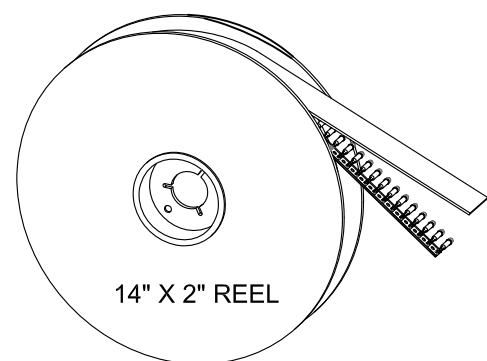
Assy. Part No.	Chip		Lens Appearance	Absolute Maximum Ratings				Electro-Optical Data @ 20mA			Viewing Angle (Deg)	LED Part No.
	Peak Wave Length $\lambda_p$ (nm)	Emitted Color		$\Delta\lambda$ (nm)	Pd (mW)	If (mA)	Peak If (mA)	Vf (V)		Iv (mcd)		
								Typ.	Max.	Typ.		
ELM1XXX5UBWC.6K	470	BLUE	WATER CLEAR	26	76	30	150	3.8	4.0	600	25	5UBWC-0.6K-F
ELM1XXX5UTC	502	TURQUOISE	WATER CLEAR	30	70	30	150	3.5	4.0	900	20	5UTC-F
ELM1XXX5UGC	562	GREEN	WATER CLEAR	11	100	30	150	2.2	2.6	800	30	5UGC-F
ELM1XXX5SUGC	574	GREEN	WATER CLEAR	22	100	30	150	2.2	3.0	1000	30	5SUGC-F
ELM1XXX5UYC	588	YELLOW	WATER CLEAR	15	100	30	150	2.0	2.6	1000	20	5UYC-F
ELM1XXX5UYC-2K	590	YELLOW	WATER CLEAR	17	120	30	150	1.9	2.4	2000	30	5UYC-2K-F
ELM1XXX5UUYC	592	YELLOW	WATER CLEAR	15	100	30	150	2.1	2.6	3000	30	5UUYC-F
ELM1XXX5UOC	620	ORANGE	WATER CLEAR	17	100	30	150	2.2	2.6	3000	30	5UOC-F
ELM1XXX5SUOC	633	ORANGE	WATER CLEAR	17	100	30	150	2.2	2.6	4500	30	5SUOC-F
ELM1XXX5URC	585	RED	WATER CLEAR	20	60	30	150	1.7	2.6	600	30	5URC-F
ELM1XXX5SURC	660	RED	WATER CLEAR	20	65	30	150	2.0	2.6	1000	30	5SURC-F
ELM1XXX5UWC0.8K	X=.29 Y=.31	WHITE	WATER CLEAR	-	80	30	150	3.5	4.0	800	25	5UWC-0.8K-F

STANDARD TOLERANCE ( UNLESS OTHERWISE SPECIFIED ) $\pm 10\%$ All Values		 <b>BIVAR</b> <sup>®</sup> 4 THOMAS, IRVINE, CA. 92618 TEL: (949) 951-8808 FAX: (949) 951-3974	
ANGULAR $X^\circ \pm 1^\circ$		 <b>TITLE:</b> EXTRUDED VERTICAL T-1 $\frac{3}{4}$ (5mm) LED NARROW PROFILE ASSY	
DESIGNED: <b>Dan Beckman</b>	DATE: <b>09/21/06</b>	<b>PART NO:</b> <b>ELM1XXX5UXX</b>	REVISION: <b>D</b>
CHECKED: <b>T. Yin</b>	DATE: <b>09/21/06</b>	<b>CAGE CODE :</b> 32559	<b>SHEET # 2 OF 3</b>
CAD GENERATED DOCUMENT, DO NOT MEASURE DRAWING.			

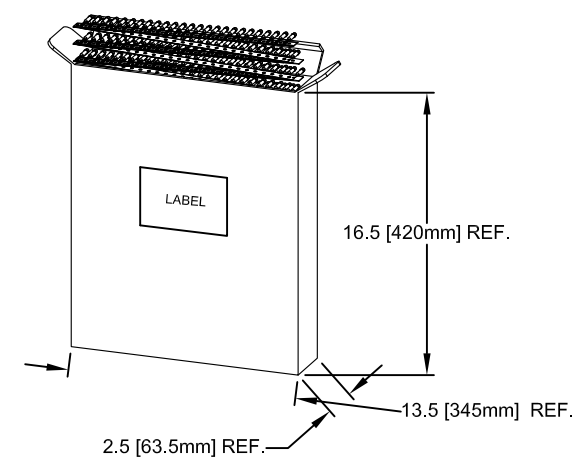
REV.	DESCRIPTION	DATE	APPROVED
	SEE SHEET #1		



STANDARD PACKAGING TRAY



TAPE & REEL  
1,000 pcs / reel



AMMO PACK  
2,000 pcs / box

- NOTE:
1. STANDARD PART NUMBERS ARE PACKAGED IN LOOSE PIECES USING PACKAGING TRAYS
  2. ADD "T" SUFFIX TO PART NUMBER FOR TAPE AND REEL PACKAGING OPTION (1,000 PCS/REEL)
  3. ADD "A" SUFFIX TO PART NUMBER FOR AMMO PACK OPTION (2,000 PCS/BOX)
  4. TAPE AND REEL PACKAGING COMPLY TO EIA-468-C

STANDARD TOLERANCE ( UNLESS OTHERWISE SPECIFIED )		<b>BIVAR</b> <sup>®</sup> 4 THOMAS, IRVINE, CA. 92618 TEL: (949) 951-8808 FAX: (949) 951-3974	
DECIMALS	ANGULAR		
.X ± .1	X° ± 1°	<b>TITLE:</b> EXTRUDED VERTICAL T-1 3/4 (5mm) LED NARROW PROFILE ASSY <b>PART NO:</b> ELM1XXX5UXX <b>REVISION:</b> D	
.XX ± .02			
.XXX ± .010			
DESIGNED: <b>Dan Beckman</b>	DATE: <b>09/21/06</b>	<b>CAGE CODE :</b> 32559 <b>SHEET #</b> 3 <b>OF</b> 3	
CHECKED: <b>T. Yin</b>	DATE: <b>09/21/06</b>	CAD GENERATED DOCUMENT, DO NOT MEASURE DRAWING.	