

GIGABIT ETHERNET MAGNETICS

Single Port Transformer Modules

LM00300

- Designed for use with 10/100/1000Base-T transceiver ICs
- Maximized for full duplex applications
- IR reflow rating at 225° C peak
- Supports four pairs of category 5 UTP cable
- Compliant with IEEE 802.3ab
- 350µH OCL with 8mA bias applied from 0° C to 70° C

ELECTRICAL SPECIFICATIONS AT 25° C

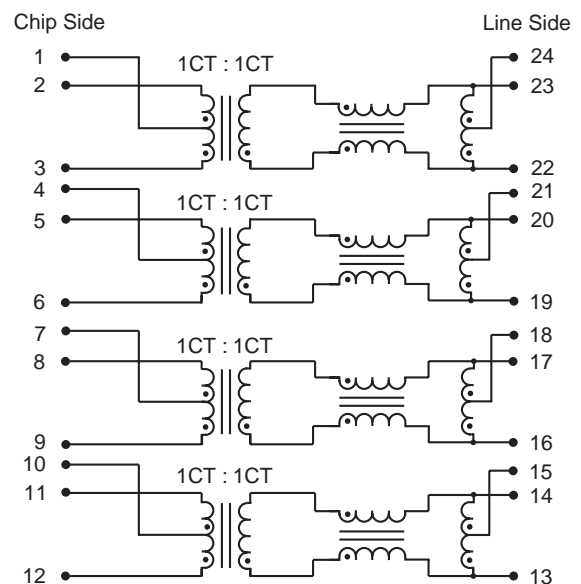
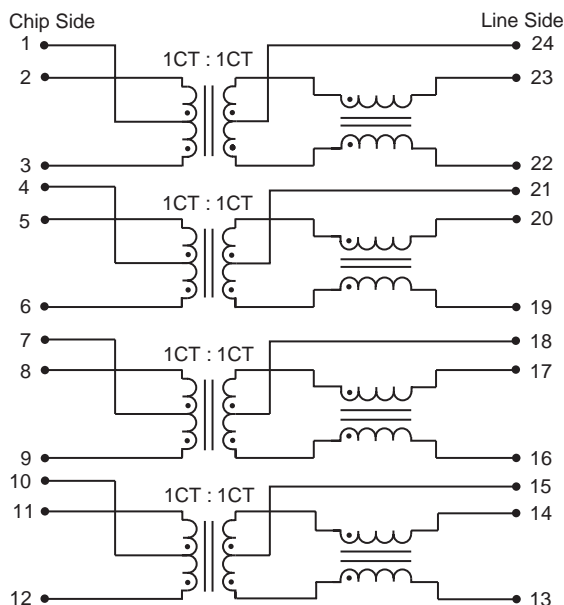
Part Number	Insertion Loss dB max	Return Loss dB min		Common to Common Mode Rejection dB min	Crosstalk dB min	Hipot Vrms min
	0.1MHz to 100MHz	0.5MHz to 40MHz	40MHz to 100MHz	100KHz to 100MHz		
S558-5999-M8	-1.0	-18	12 - 20 log (f/80 MHz)	-30	33 - 20 log (f/50MHz)	1500
S558-5999-M9	-1.0	-18	12 - 20 log (f/80 MHz)	-30	33 - 20 log (f/50MHz)	1500
S558-5999-P3	-1.0	-18	12 - 20 log (f/80 MHz)	-30	33 - 20 log (f/50MHz)	1500
S558-5999-T3	-1.0	-18	12 - 20 log (f/80 MHz)	-30	33 - 20 log (f/100MHz)	1500
S558-5999-T4	-1.0	-18	12 - 20 log (f/80 MHz)	-30	33 - 20 log (f/100MHz)	1500

To select part number based on transceiver IC compatibility, please contact Bel.

SCHEMATICS

S558-5999-M8 S558-5999-M9
S558-5999-T4

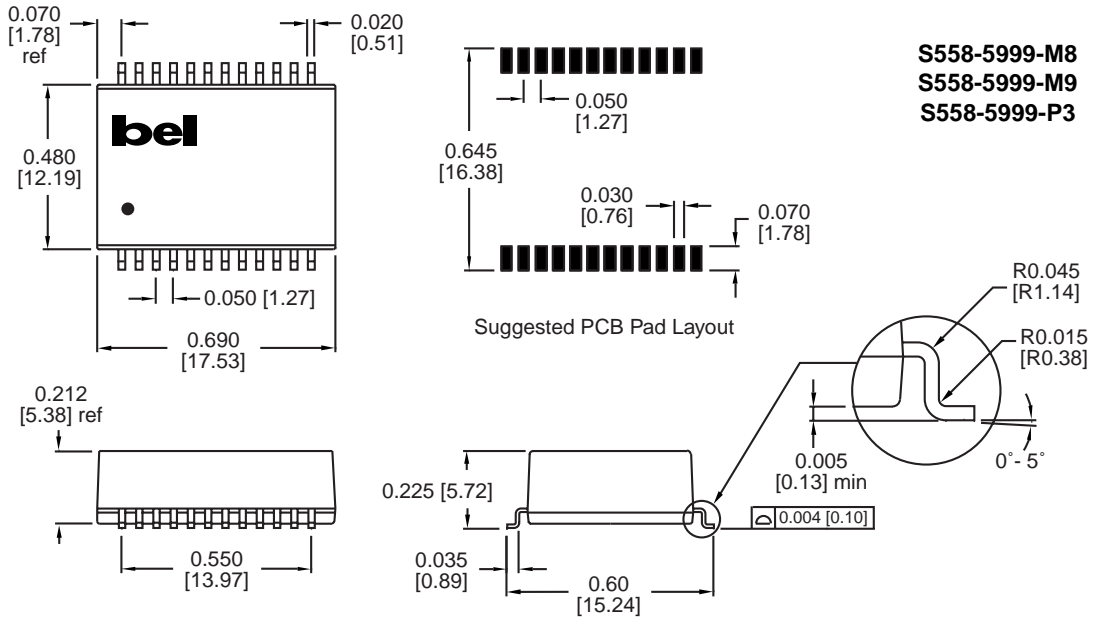
S558-5999-P3
S558-5999-T3



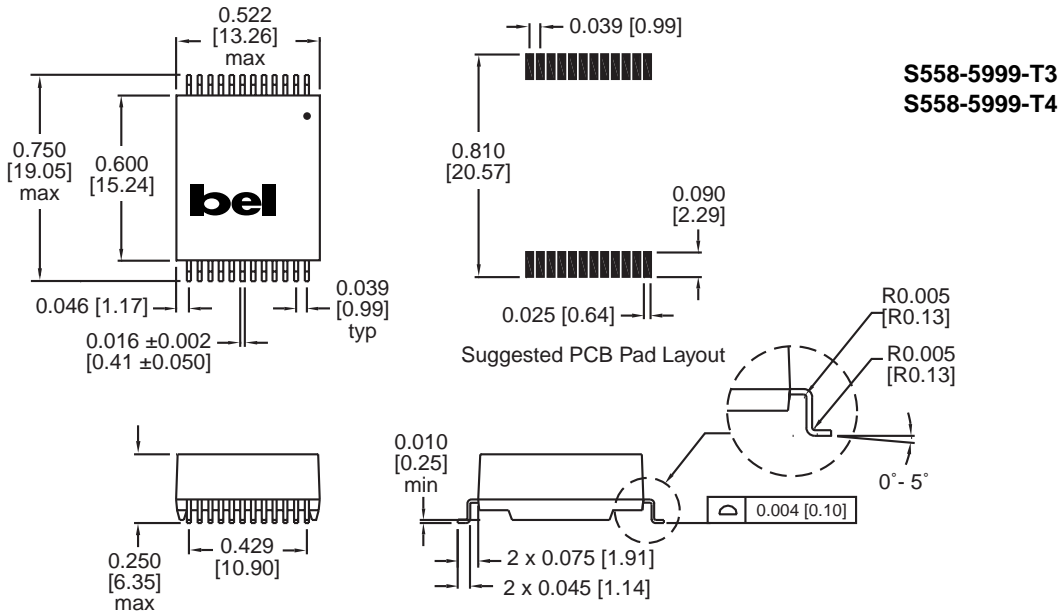
©2001 Bel Fuse Inc. Specifications subject to change without notice. 11.01

LM00300

MECHANICALS



Dimensions are in inches [millimeters].
Standard dimension tolerance is ± 0.005 [0.13] unless otherwise noted.



Dimensions are in inches [millimeters].
Standard dimension tolerance is ± 0.005 [0.13] unless otherwise noted.

©2001 Bel Fuse Inc. Specifications subject to change without notice. 11.01

CORPORATE

Bel Fuse Inc.
206 Van Vorst Street
Jersey City, NJ 07302
Tel 201-432-0463
Fax 201-432-9542
www.belfuse.com

FAR EAST

Bel Fuse Ltd.
8F / 8 Luk Hop Street
San Po Kong
Kowloon, Hong Kong
Tel 852-2328-5515
Fax 852-2352-3706
www.belfuse.com

EUROPE

Bel Fuse Europe Ltd.
Preston Technology Management Centre
Marsh Lane, Suite G7, Preston
Lancashire, PR1 8UD, U.K.
Tel 44-1772-556601
Fax 44-1772-888366
www.belfuse.com