

WLB92 Industrial LED Light Bar (AC Quick Disconnect)



Datasheet

Banner's WLB92 is a very bright LED fixture/luminaire that features an even light output for a no glare 'glow'. The WLB92 series is designed for a wide variety of environments and applications, including but not limited to work stations, machine lighting, and low bay lighting. The WLB92 uses advanced LED lighting technology to provide a high-quality and maintenance free industrial lighting solution.

- Increase worker productivity and ergonomics with bright, high-quality, uniform light
- Exceptionally energy efficient for overall cost savings
- Durable light stands up to your environment with a rugged metal housing and shatter-resistant window
- Easy installation with snap clips
- Intensity can be controlled from 15% to 100% using the attached knob
- Rated for use at 120 V ac in North America
- Rated for use at 100 to 277 V ac outside North America

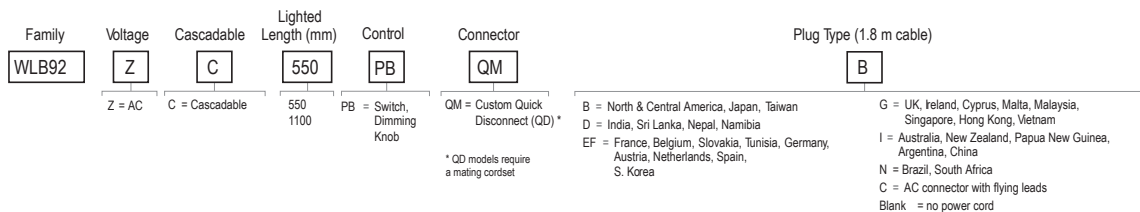


These AC quick disconnect models can be used as continuous run models that can be cascaded or "daisy-chained" together for a continuous length of lighting using a double-ended accessory cordset (see [Accessories](#) on page 6). Each light bar can be turned on, off, or dimmed independently of the other lights, upstream or downstream, in the chain.

WLB92 Industrial LED Light Bars are available in several configurations including different lengths and cord options. WLB92 (AC) models come with a five year, limited warranty.

| Models | Lighted Length (mm) | Lighting Control | Connector | Lumens |
|------------------|---------------------|-----------------------------|-------------------------|--------|
| WLB92ZC550PBQMB | 550 | ON/OFF Switch, Dimming Knob | Custom Quick Disconnect | 3130 |
| WLB92ZC1100PBQMB | 1100 | | | 6500 |

The listed models include a U.S. power cable. To order model with no power cable, omit the suffix B. For example, WLB92ZC550PBQM. For a list of other countries' wall plug cables, refer to the Accessories list.



Specifications

Supply Voltage

Operating Voltage: 120 V ac, 60 Hz in North America
 Operating Voltage: 100 to 277 V ac, 50/60 Hz outside North America
 Power factor: > 0.95 at 120 V ac and > 0.90 at 230 V ac
 Total harmonic distortion (THD): < 20%

Supply Current

| Lighted Length (mm) | Max. Current Draw (A) at 100 V ac | Typical Current Draw (A) | |
|---------------------|-----------------------------------|--------------------------|----------|
| | | 120 V ac | 230 V ac |
| 550 | 0.425 | 0.295 | 0.160 |
| 1100 | 0.850 | 0.590 | 0.310 |

Supply Protection Circuitry

Protected against transient voltages

Light Characteristics

Color: Daylight White
 Color Temperature (CCT): 5000K (± 300K)
 Lumen Output: 550 mm - 3130 lumens, 1100 mm - 6500 lumens
 Luminous Efficacy: 92 lumens/watt typical at 120 V ac at 25 °C (77 °F)
 CRI: 82, typical

LED Lifetime

Lumen Maintenance - L₇₀
 When operating within specifications, output will decrease less than 30% after 50,000 hours.

Switch/Dimming Knob

On/Off Switch and dimming knob, dimmable to 15% intensity

Test Data

LM-79, LM-80, TM-21

DesignLights Consortium™ (DLC) Qualified Products and Categories

Linear Ambient Luminaires: Direct

WLB92ZC550PBQM
 WLB92ZC550PBQMB
 WLB92ZC1100PBQM
 WLB92ZC1100PBQMB

Low-Bay Luminaires for Commercial and Industrial Buildings

WLB92ZC1100PBQM
 WLB92ZC1100PBQMB

Certifications



Construction

Anodized aluminum housing, polycarbonate window and end caps, and stainless steel mounting brackets

Spacing Criterion

Vertical: 1.20
 Horizontal: 1.32

Mounting

Snap mount brackets included (two for the 550 mm model; three for the 1100 mm model)

Compatible with integral 45 mm aluminum framing mounting slots

Connections

Integral custom quick disconnect (connecting cordset required)

Environmental Rating

IEC IP50

Operating Temperature

550 Lighted Length: -35 °C to +50 °C (-31 °F to +122 °F) for 24 hours per day for 5 years of operation
 1100 Lighted Length: -40 °C to +45 °C (-40 °F to +113 °F) for 16 hours per day for 5 years of operation; or -40 °C to +35 °C (-40 °F to +95 °F) for 24 hours per day for 5 years of operation

Storage Temperature

-40 °C to +70 °C (-40 °F to +158 °F)

Vibration and Mechanical Shock

Vibration 10 to 55 Hz 0.5 mm p-p amplitude per IEC60068-2-6
 Shock 5G 11 ms duration, half sine wave per IEC60068-2-27

Application Notes

When connecting continuous run/cascadable lights in series, see table for maximum number of units. Do not exceed a maximum wiring distance of 100 m (328 ft) in the main power cable and any cascading cables.

| Maximum Unit Limit (when using both model lengths) | |
|--|----------------|
| 550 mm Lights | 1100 mm Lights |
| 10 | 0 |
| 8 | 1 |
| 6 | 2 |
| 4 | 3 |
| 2 | 4 |
| 0 | 5 |

For example, if you use four 550 mm lights, you may add up to three 1100 mm lights within the same continuous run.

Spacing Criteria (SC)

The spacing criteria is the fixture-spacing-to-mounting-height ratio and aids in laying out a pattern of fixtures. Multiply the spacing criteria by the mounting height to get the maximum fixture spacing that still provides even illumination (no shadowing between fixtures).

Luminaire Spacing = SC × Height to Illuminated Plane

The mounting height is the distance from the fixture to the surface you are lighting.

Light Characteristics

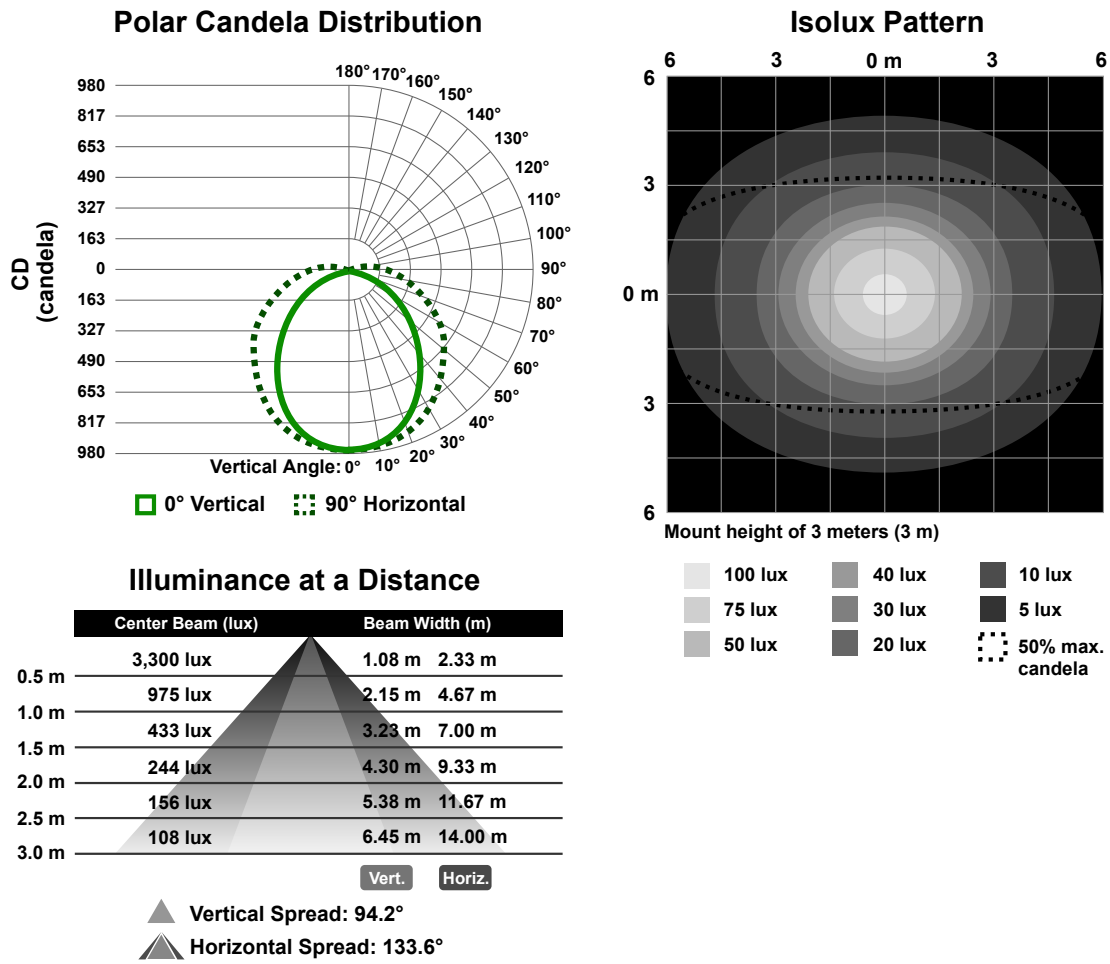


Figure 1. 550 mm Models

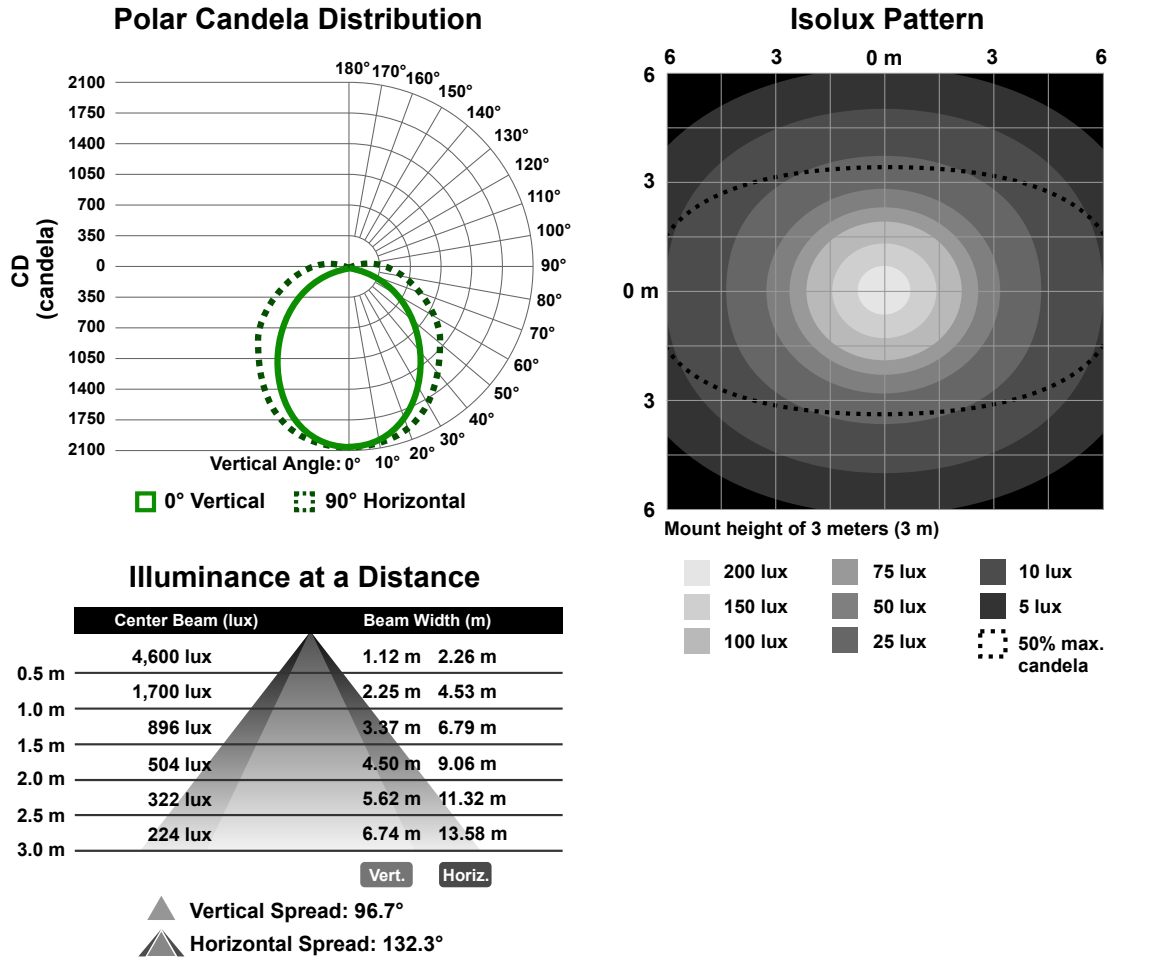
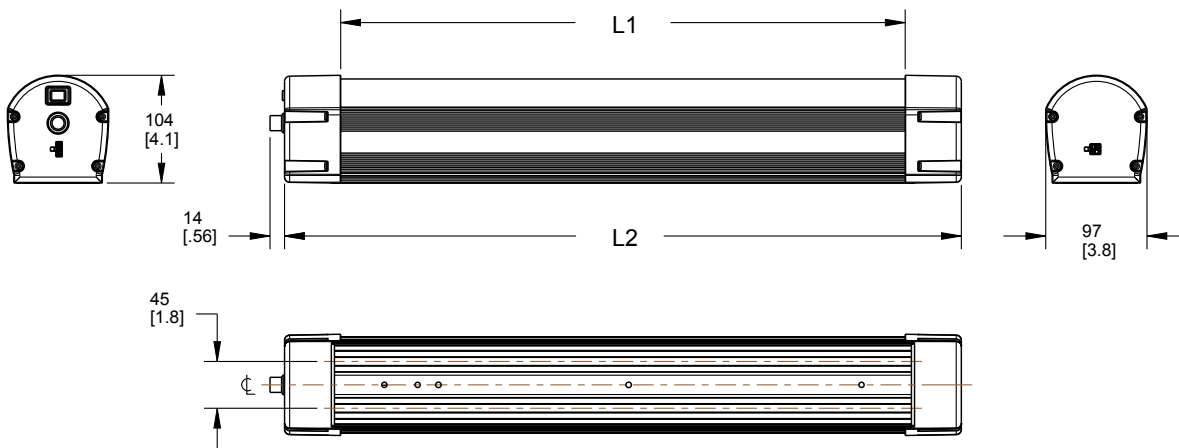


Figure 2. 1100 mm Models

Dimensions



| Model | L1 | L2 |
|-----------------|-------------------|-------------------|
| WLB92ZC550PBQM | 543 mm (21.4 in) | 651 mm (25.6 in) |
| WLB92ZC1100PBQM | 1098 mm (43.2 in) | 1206 mm (47.5 in) |

Installing the WLB92 Industrial LED Light Bar (AC Quick Disconnect Models)

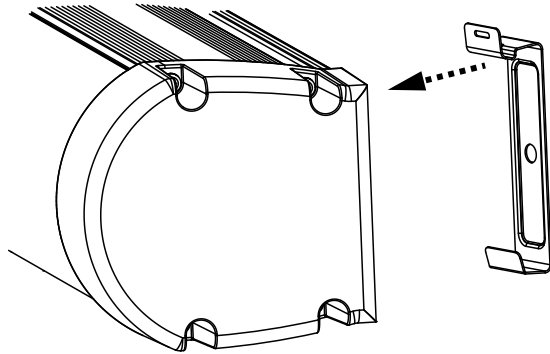


Figure 3. Attaching the snap brackets (step 6)

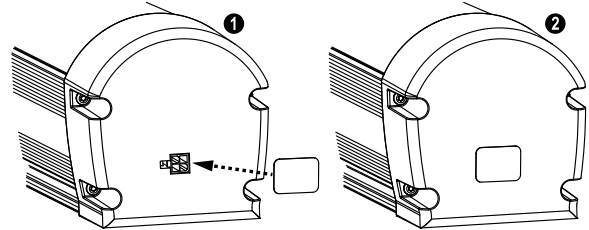


Figure 4. Installing the cascade cover (step 9)

1. Attach the snap brackets to the light.
2. Select a suitable horizontal or vertical dry mounting location. The maximum distance to the power receptacle cannot be farther than the length of the power cord used.
3. Place the light in the mounting location and mark the positions of the snap bracket mounting holes.
4. Remove the brackets from the light.
5. Drill the holes and use appropriate screws to secure the snap bracket to the mounting location.
6. Snap the light onto the brackets.
7. When installing cascading lights, repeat steps 1 through 6 to mount additional lights. See the application note in the *Specifications* section for the maximum cascaded lights and maximum allowed cable run when choosing mounting locations.
8. Connect the cascaded lights together using an applicable cordset (see [Accessories](#) on page 6).
9. Install the supplied cover over the output connector on the last light in the chain.
10. Plug the power cord from the first light into the wall outlet. A 3 m (10 ft) cord is available for applications requiring a longer cord for cabinet installations.



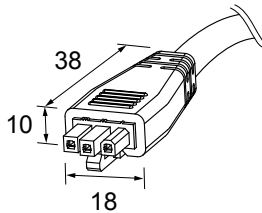
CAUTION: To reduce the risk of fire, electrical shock, or injury to personal:

- Use only insulated staples or plastic ties to secure cords
- Route and secure cords so that they will not be pinched or damaged when the cabinet is pushed to the wall
- Position the portable cabinet light with respect to the cabinet so the lamp replacement markings are able to be read during relamping
- Do not recess into ceilings or soffits
- Do not conceal the cords. The National Electrical Code (NEC) does not permit cords to be concealed where damage to insulation may go unnoticed. To prevent fire danger, do not run cords behind walls, ceilings, soffits, or cabinets where it may be inaccessible for examination. Cords should be visually examined periodically and immediately replaced when any damage is noted.

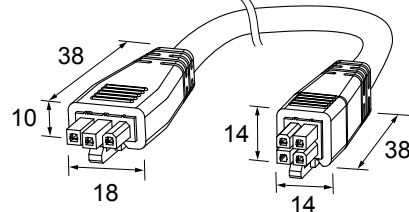


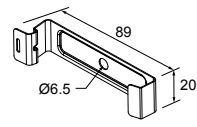
CAUTION: To Reduce the Risk of Fire. Do not install the 550 mm models in a compartment smaller than 305 mm by 305 mm by 675 mm. Do not install the 1100 mm models in a compartment smaller than 305 mm by 305 mm by 1350 mm.

Accessories

| Wall Plug Cordsets | | | | |
|--------------------|---------------------------------|--|--------------|---|
| Model | Plug Type | Countries | Length | Dimensions |
| LQMAC-306 | Flying Leads | | 1.8 m (6 ft) |  |
| LQMAC-306B | NEMA 5-15 grounded (IEC Type B) | United States, Canada, Japan, Puerto Rico, Taiwan | | |
| LQMAC-306D | BS 546 (IEC Type D) | India | | |
| LQMAC-306EF | CEE 7/7 (IEC Type E or F) | Germany, France, South Korea, The Netherlands, Poland, Spain, Turkey | | |
| LQMAC-306G | BS 1363 (IEC Type G) | United Kingdom, Ireland, Singapore, Vietnam | | |
| LQMAC-306I | AS/NZS 3112 (IEC Type I) | China, Australia, New Zealand | | |
| LQMAC-306N | NBR 14136 (IEC Type N) | Brazil | | |
| LQMAC-310B | NEMA 5-15 grounded (IEC Type B) | United States, Canada, Japan, Puerto Rico, Taiwan | 3 m (10 ft) | |

For other lengths of the LQMAC-306 cables, contact the factory. LQMAC-310B is available for applications requiring a 3 m (10 ft) cord for cabinet installation.

| Continuous Run/Cascade Cordsets | | | |
|---------------------------------|-----------------|-----------------------------|---|
| Model | Length | Style | Dimensions |
| LQMAEC-3005SS | 0.15 m (0.5 ft) | Male straight/Male straight |  |
| LQMAEC-301SS | 0.31 m (1 ft) | | |
| LQMAEC-303SS | 0.91 m (3 ft) | | |
| LQMAEC-306SS | 1.83 m (6 ft) | | |
| LQMAEC-312SS | 3.66 m (12 ft) | | |
| LQMAEC-320SS | 6.1 m (20 ft) | | |
| LQMAEC-330SS | 9.14 m (30 ft) | | |

| Brackets | |
|---|--|
| <p>LMBWLB92CLIP</p> <ul style="list-style-type: none"> • Snap clip allows for tool-less installation • Stainless steel • Includes four snap clips, four screws, and two insulator caps  <p>The LMBWLB92CLIP bracket replaces the bracket that ships with the WLB92 light.</p> | |

FCC Part 15 and CAN ICES-3 (B)/NMB-3(B)

This device complies with part 15 of the FCC Rules and CAN ICES-3 (B)/NMB-3(B). Operation is subject to the following two conditions:

1. This device may not cause harmful interference, and
2. This device must accept any interference received, including interference that may cause undesired operation.

This equipment has been tested and found to comply with the limits for a Class B digital device, pursuant to part 15 of the FCC Rules and CAN ICES-3 (B)/NMB-3(B). These limits are designed to provide reasonable protection against harmful interference in a residential installation. This equipment generates, uses and can radiate radio frequency energy and, if not installed and used in accordance with the instructions, may cause harmful interference to radio communications. However, there is no guarantee that interference will not occur in a particular installation. If this equipment does cause harmful interference to radio or television reception, which can be determined by turning the equipment off and on, the user is encouraged to try to correct the interference by one or more of the following measures:

- Reorient or relocate the receiving antenna.
- Increase the separation between the equipment and receiver.
- Connect the equipment into an outlet on a circuit different from that to which the receiver is connected.
- Consult the manufacturer.

Banner Engineering Corp. Limited Warranty

Banner Engineering Corp. warrants its products to be free from defects in material and workmanship for five years following the date of shipment. Banner Engineering Corp. will repair or replace, free of charge, any product of its manufacture which, at the time it is returned to the factory, is found to have been defective during the warranty period. This warranty does not cover damage or liability for misuse, abuse, or the improper application or installation of the Banner product.

THIS LIMITED WARRANTY IS EXCLUSIVE AND IN LIEU OF ALL OTHER WARRANTIES WHETHER EXPRESS OR IMPLIED (INCLUDING, WITHOUT LIMITATION, ANY WARRANTY OF MERCHANTABILITY OR FITNESS FOR A PARTICULAR PURPOSE), AND WHETHER ARISING UNDER COURSE OF PERFORMANCE, COURSE OF DEALING OR TRADE USAGE.

This Warranty is exclusive and limited to repair or, at the discretion of Banner Engineering Corp., replacement. IN NO EVENT SHALL BANNER ENGINEERING CORP. BE LIABLE TO BUYER OR ANY OTHER PERSON OR ENTITY FOR ANY EXTRA COSTS, EXPENSES, LOSSES, LOSS OF PROFITS, OR ANY INCIDENTAL, CONSEQUENTIAL OR SPECIAL DAMAGES RESULTING FROM ANY PRODUCT DEFECT OR FROM THE USE OR INABILITY TO USE THE PRODUCT, WHETHER ARISING IN CONTRACT OR WARRANTY, STATUTE, TORT, STRICT LIABILITY, NEGLIGENCE, OR OTHERWISE.

Banner Engineering Corp. reserves the right to change, modify or improve the design of the product without assuming any obligations or liabilities relating to any product previously manufactured by Banner Engineering Corp.