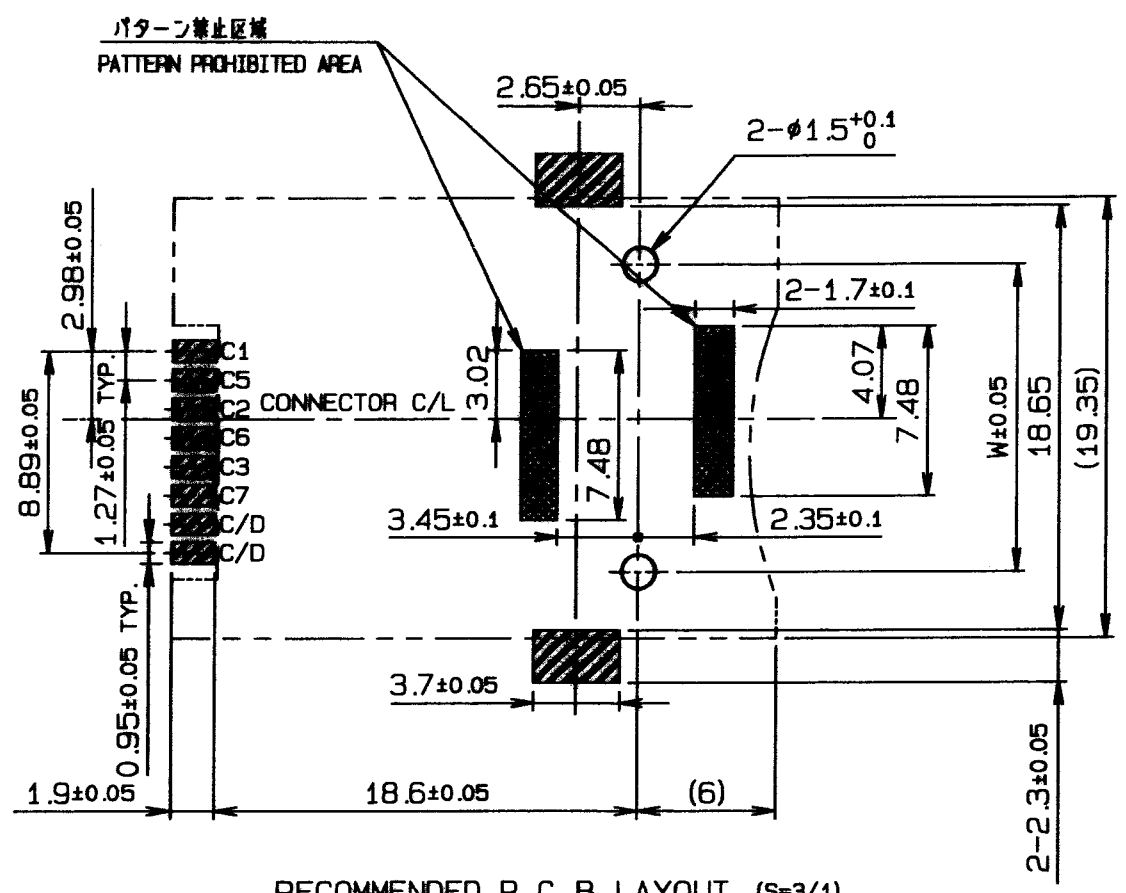
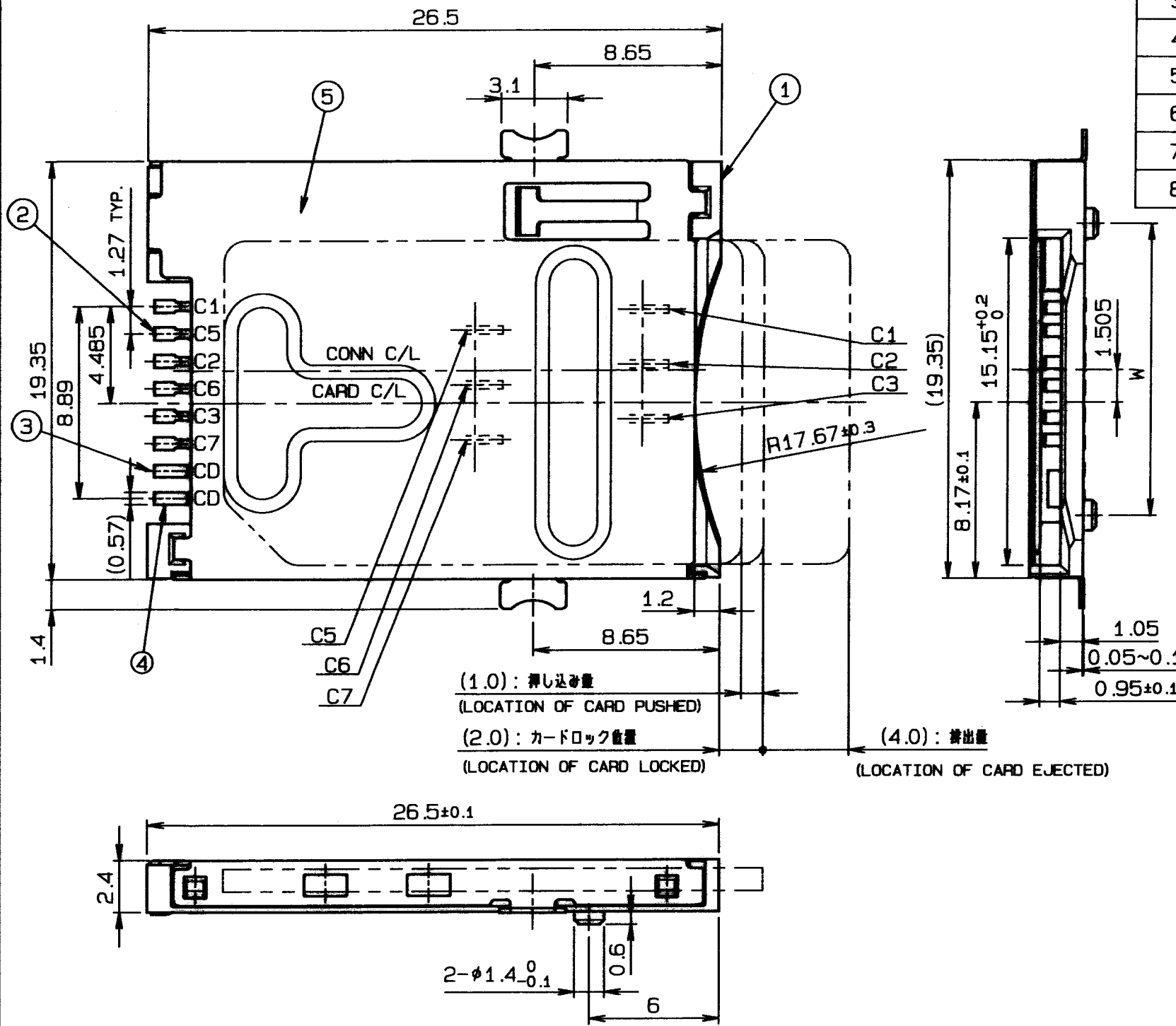


NO.	DESCRIPTION	PART NO.	QTY	MATERIAL	DRW NO.	REMARKS
1	INSULATOR		1	LCP		UL94-V0
2	CONTACT		6	PHOS-BRONZE		CONT. AREA: Au TAIL: Sn-Cu
3	C/D CONT UPPER		1	PHOS-BRONZE		CONT. AREA: Au TAIL: Sn-Cu
4	C/D CONT LOWER		1	PHOS-BRONZE		CONT. AREA: Au TAIL: Sn-Cu
5	SHELL		1	SUS		
6	COIL SPRING		1	SWP		
7	E/J BAR		1	LCP		
8	CAM BAR		1	SUS		UL94-V0

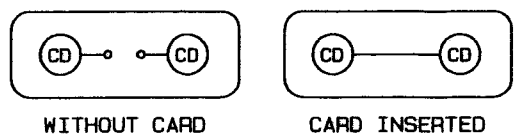


技術部  
06.1.19  
発行

RoHS規制対応  
COMPLIANT WITH  
RoHS REGULATIONS

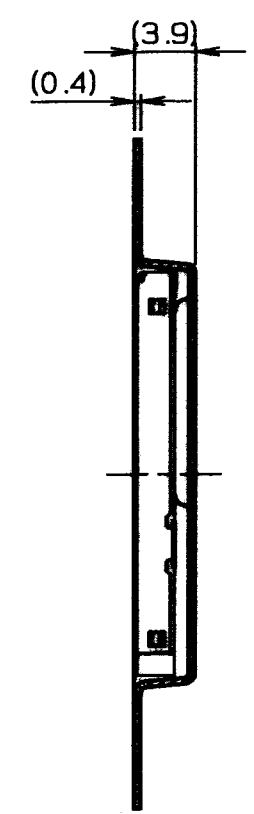
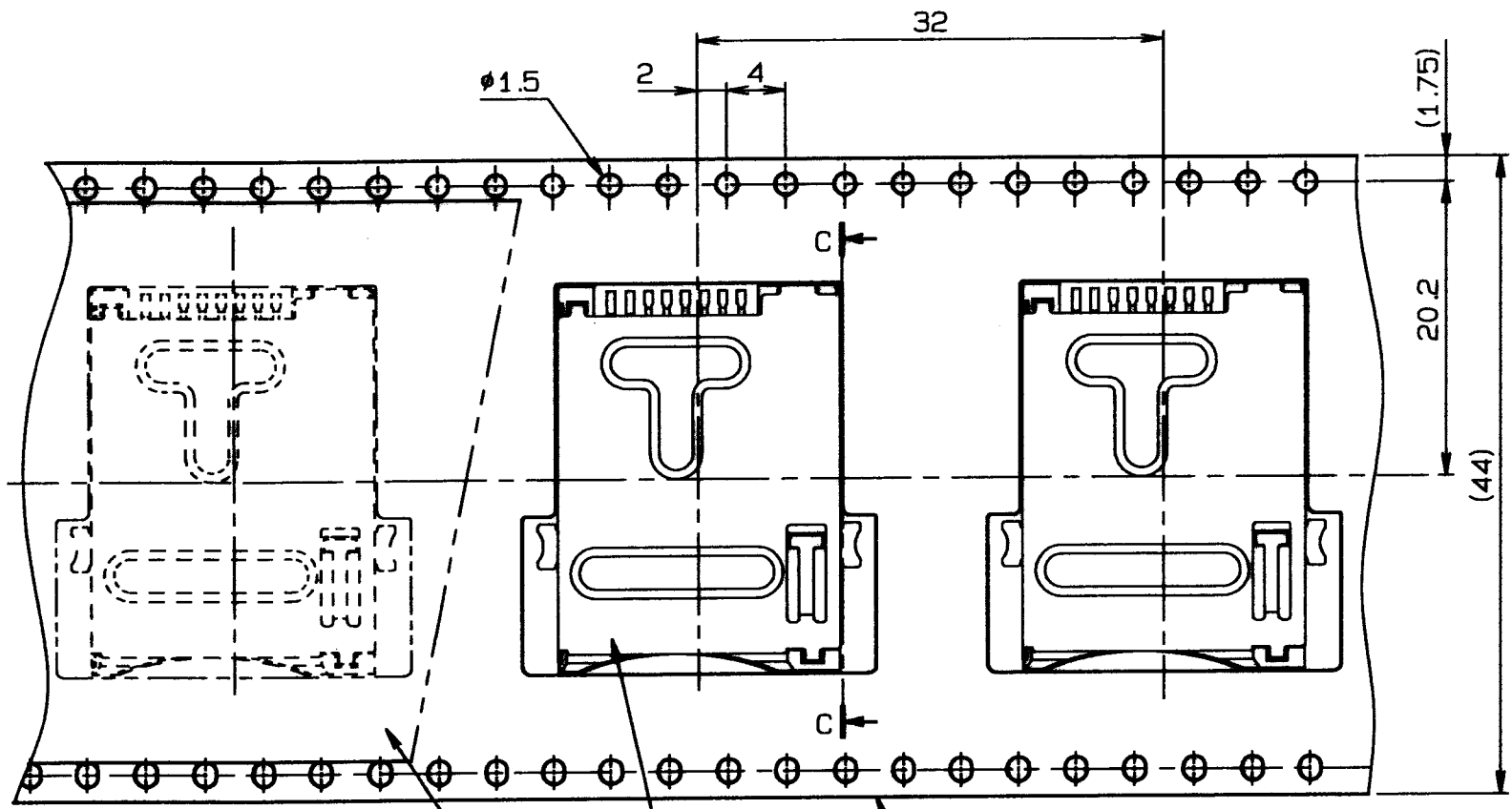
型番 P/N 00 5036 006 XXX 862 +  
 極数 NO. OF POS.  
 VARIATION  
 299: WITH BOSS (W=15.54)  
 200: WITH BOSS (W=13.52)  
 201: WITHOUT BOSS  
 PLATING CODE  
 862+: UNDER COAT Ni 1.5μmMIN.  
 CONTACT AREA: Au 0.5μmMIN.  
 TAIL AREA: Sn-Cu 3μmMIN.

注記 NOTE  
 1. テールコプラナリティー: 0.1mmMAX.  
 COPLANARITY: 0.1mmMAX.  
 2. 回路構成  
 CIRCUIT



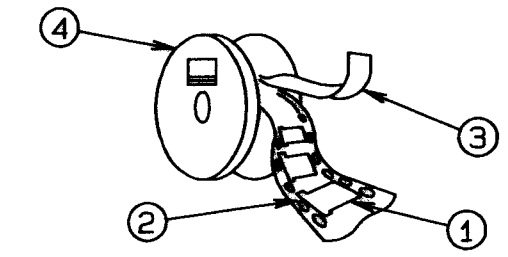
TOLERANCE / 公差 (S)		PRODUCT SPEC / 製品規格		B DCN-010		1-06-06		A SATO		N.HAYASHI	
X < 10	±0.2	UNIT	ANGLE	A DCN-1387	10-24-05	A.SATO					
10 ≤ X < 30	±0.25	mm	3RD	O EDN-780	7-13-04	A.SATO	Y.SHIROYAMA	N.HAYASHI			
30 ≤ X	±0.3	SCALE	DATE	PART NAME / 品名							
ANGLE / 角度	±3°	4/1	7-13-04	SERIES 5036 SIM CONNECTOR ASSY SMT							
DRAWN	DESIGNED	CHECKED	APPROVED	PART NO. / 型番							
LI	A.SATO	Y.SHIROYAMA	N.HAYASHI	00 5036 006 XXX 862 +							
KYOCERA ELCO CORPORATION				DWG NO. / 図番				SHEET / REV			
				BJS 5036011				1/1 B			

NO.	DESCRIPTION	PART NO.	QTY	MATERIAL	DRW NO.	REMARKS
1	CONNECTOR	00 5036 006 XXX 862 +	500			
2	EMBOSSED TAPE		1	POLYSTYRENE		
3	TOP COVER TAPE		1	POLYSTYRENE		
4	REEL		1	POLYSTYRENE		

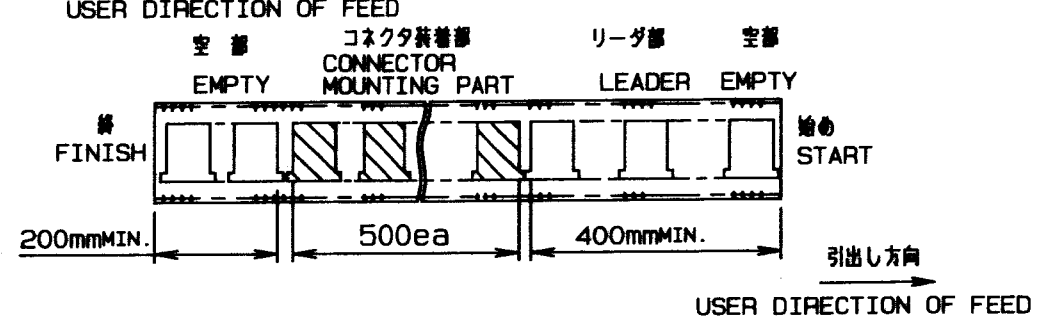


注記  
NOTE

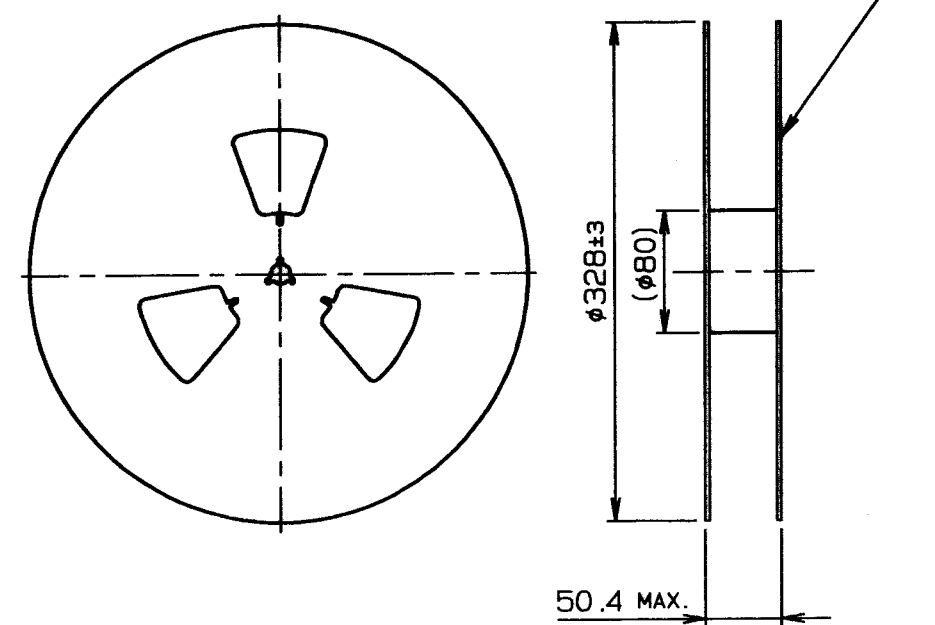
1. 納入数量 : 500個/リール  
QUANTITY : 500 ea/reel
2. 納入時のリール巻き方向  
REELING DIRECTION IN DELIVERY



3. 引出し方向  
USER DIRECTION OF FEED



4. 型番 P/N : 04 5036 006 XXX 862 +  
 数量 NO. OF POS. :  
 VARIATION :  
 299: WITH BOSS (PITCH 15.54)  
 200: WITH BOSS (PITCH 13.52)  
 201: WITHOUT BOSS



技術部  
06.1.19  
発行

RoHS規制対応  
COMPLIANT WITH  
RoHS REGULATIONS

TOLERANCE / 公差 (S)	PRODUCT SPEC / 製品仕様	B	DCN-010	1-06-06	A. SATO	
X < 10 ±0.2		A	DCN-1387	10-24-05	A. SATO	N. HAYASHI
10 ≤ X < 30 ±0.25	UNIT	0	EDN-780	7-13-04	A. SATO	Y. SHIROYAMA N. HAYASHI
30 ≤ X ±0.3	ANGLE	NO. EDN/DCN DATE ISSUE CHECKED APPROVED				
ANGLE / 角度 ±3°	SCALE	PART NAME / 部品名				
	DATE	SERIES 5036 EMBOSS TAPE ASSY				
DRAWN	DESIGNED	CHECKED	APPROVED	TYPE SPRING EJECT		
LI	A. SATO	Y. SHIROYAMA	N. HAYASHI	PART NO. / 部品番号		
KYOCERA ELCO CORPORATION				04 5036 006 XXX 862 +		
				DWG NO. / 図番		
				BJS 5036012		
				SHEET REV		
				1/1 B		