



RoHS Compliant

### Features

- 0402 Size. Rated current up to 2A MAX.
- Effective for filtering noise on power (Vcc) lines.

### Applications

- PCs, Laser Printers, Cellular Phone, Power/ Signal Lines for LCD Display, Office Equipments
- AV Power Supply/ Signal Line, TV, VCR, etc.
- High Current Signal Lines

### How to Order

KNH 10 C104 DA 20T S  
① ② ③ ④ ⑤ ⑥

① Series

② Size Code

<b>10</b>	1005 (EIA:0402)
-----------	-----------------

③ Capacitance

<b>C474</b>	470,000pF	<b>C104</b>	100,000pF
<b>C224</b>	220,000pF		

④ Application

<b>DA</b>	Digital Circuit in General
-----------	----------------------------

⑤ Packaging

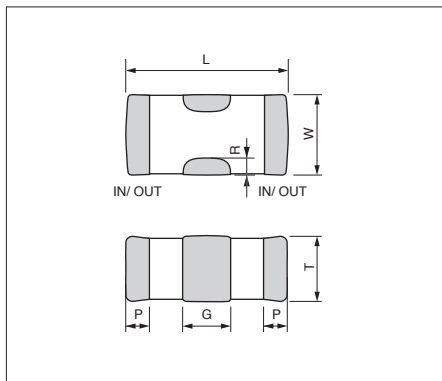
<b>20T</b>	T&R: 20,000 pcs. (Std.)
------------	-------------------------

⑥ Termination

<b>S</b>	Std.
----------	------

### Dimensions

(Unit: mm)



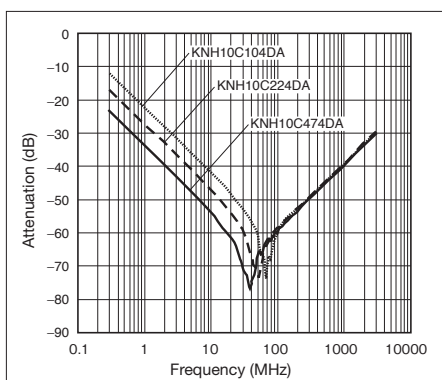
CODE	L	W	T
Dimensions	1.00±0.10	0.50±0.10	0.35±0.05
CODE	G	P	R
Dimensions	0.30±0.05	0.15±0.075	≥0.01

### Specifications

Part Number	Capacitance (+50/ -20%)	Rated Current	Rated Voltage	Temp. Coefficient of Capacitance	Operating Temperature
<b>KNH10C474DA20TS</b>	470,000pF	2.0A	10VDC	±15%	-40 to +85°C
<b>KNH10C224DA20TS</b>	220,000pF	2.0A	10VDC	±15%	
<b>KNH10C104DA20TS</b>	100,000pF	2.0A	10VDC	±15%	

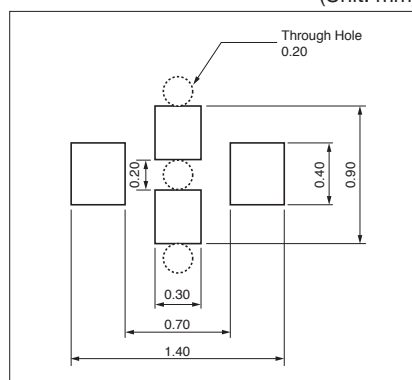
• Storage condition  
Temperature: -10 to +45°C  
Humidity: 45 to 75%RH

### Attenuation Characteristics



### Recommended Land Pattern

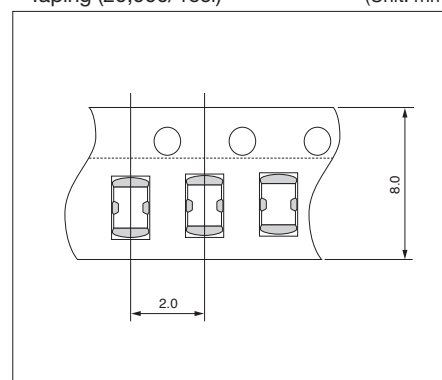
(Unit: mm)

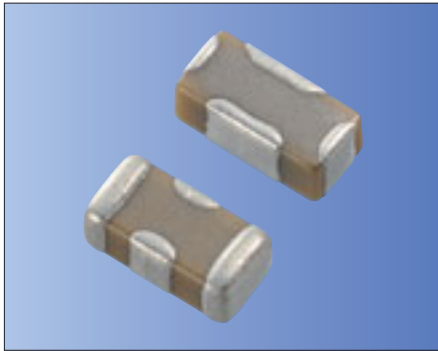


### Packaging Specification

• Taping (20,000/ reel)

(Unit: mm)





RoHS Compliant

### Features

- 0603 Size. Rated current up to 2A MAX.
- Effective for filtering noise on power (Vcc) lines.

### Applications

- PCs, Laser Printers, Cellular Phone, Power/ Signal Lines for LCD Display, Office Equipments
- AV Power Supply/ Signal Line, TV, VCR, etc.
- High Current Signal Lines

### How to Order

KNH 16 C104 DA 5T S  
① ② ③ ④ ⑤ ⑥

① Series	
② Size Code	1608 (EIA: 0603)
③ Capacitance	
C105	1,000,000pF
C104	100,000pF
④ Application	
DA	Digital Circuit in General (Std. Type)
DB	Digital Circuit in General (High Att. Type)
⑤ Packaging	
5T	T&R: 5000 pcs. (Std.)
⑥ Termination	
S	Std.

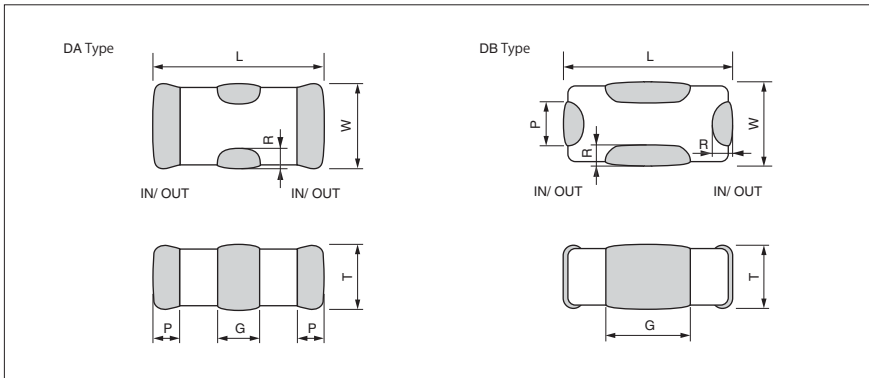
### Specifications

Part Number	Capacitance (+50/ -20%)	Rated Current	Rated Voltage	Temp. Coefficient of Capacitance	Operating Temperature
KNH16C105DB5TS	1,000,000pF	2.0A	10VDC	±15%	-40 to +85°C
KNH16C104DA5TS	100,000pF	2.0A	25VDC	±15%	

• Storage condition  
Temperature: -10 to +45°C  
Humidity: 45 to 75%RH

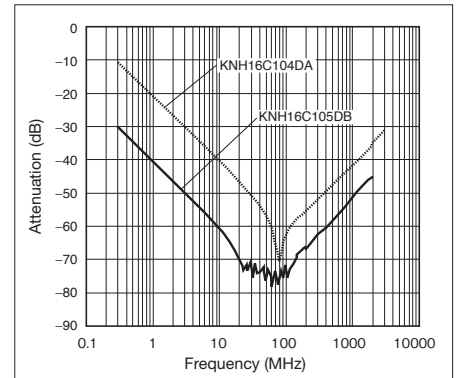
### Dimensions

(Unit: mm)



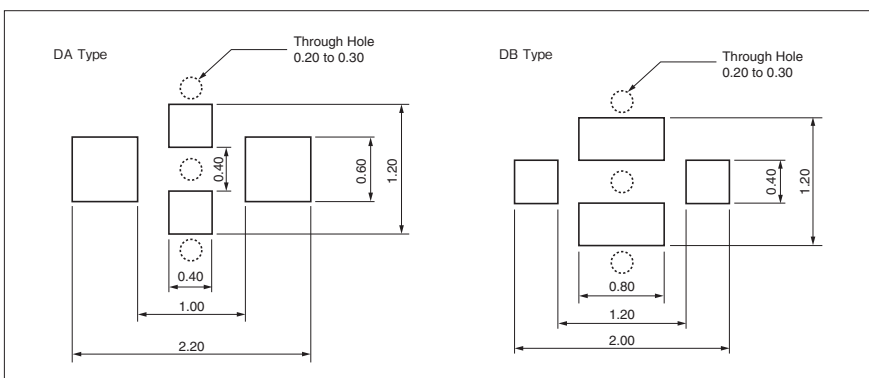
CODE	L	W	T
KNH16	1.60±0.10	0.80±0.10	0.60±0.10
CODE	G	P	R
DA Type	0.40±0.10	0.25±0.10	≥0.01
DB Type	0.85±0.15	0.40±0.10	≥0.01

### Attenuation Characteristics



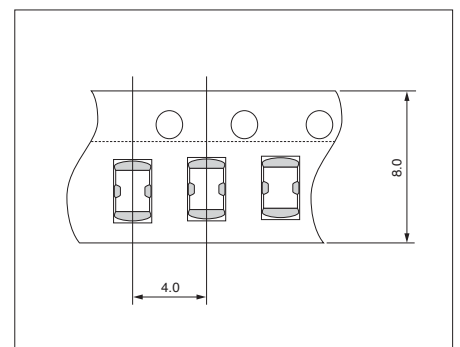
### Recommended Land Pattern

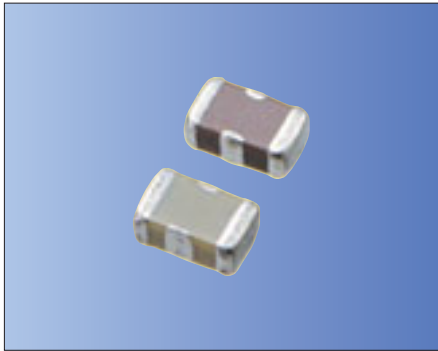
(Unit: mm)



### Packaging Specification

- Taping (5,000/ reel) (Unit: mm)





RoHS Compliant

## Features

- 0805 Size. Rated current up to 6A MAX.
- Effective for filtering noise on power (Vcc) lines.

## Applications

- PCs, Laser Printers, Cellular Phone, Power/ Signal Lines for LCD Display, Office Equipments
- AV Power Supply/ Signal Line, TV, VCR, etc.
- High Current Signal Lines

## How to Order

KNH 21 C104 DA 3T S  
① ② ③ ④ ⑤ ⑥

① Series

② Size Code

<b>21</b>	2012 (EIA: 0805)
-----------	------------------

③ Capacitance

<b>C106</b>	10,000,000pF	<b>C473</b>	47,000pF
<b>C105</b>	1,000,000pF	<b>C471</b>	470pF
<b>C104</b>	100,000pF	<b>C221</b>	220pF

④ Application

<b>DA</b>	Digital Circuit in General
-----------	----------------------------

⑤ Packaging

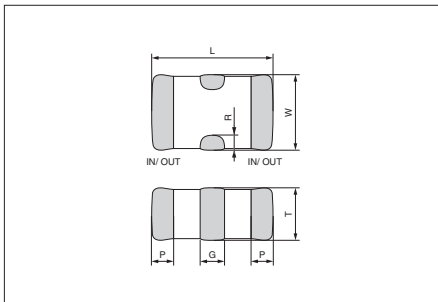
<b>3T</b>	T&R: 3000 pcs. (Std.)
-----------	-----------------------

⑥ Termination

<b>S</b>	Std.
----------	------

## Dimensions

(Unit: mm)



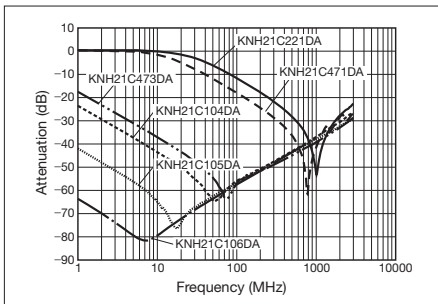
CODE	L	W
KNH21	2.0±0.2	1.25±0.2
CODE	T	G
KNH21	0.85±0.15	0.40±0.30
CODE	P	R
KNH21	0.30±0.20	≥0.01

## Specifications

Part Number	Capacitance (+50/-20%)	Rated Current	Rated Voltage	Temp. Coefficient of Capacitance	Operating Temperature
KNH21C106DA3TS	10,000,000pF	6.0A	6.3VDC	±15%	-40 to +85°C
KNH21C105DA3TS	1,000,000pF	4.0A	10VDC	±15%	
KNH21C104DA3TS	100,000pF	2.0A	25VDC	±15%	
KNH21C473DA3TS	47,000pF	2.0A	50VDC	±15%	
KNH21C471DA3TS	470pF	1.0A	50VDC	±60ppm/°C	
KNH21C221DA3TS	220pF	1.0A	50VDC	±60ppm/°C	

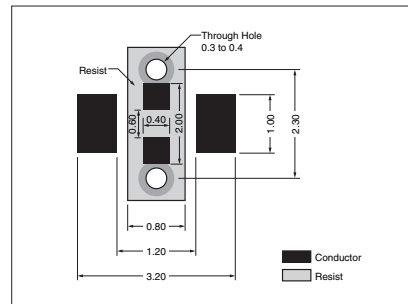
• Storage condition  
Temperature: -10 to +45°C  
Humidity: 45 to 75%RH

## Attenuation Characteristics



## Recommended Land Pattern

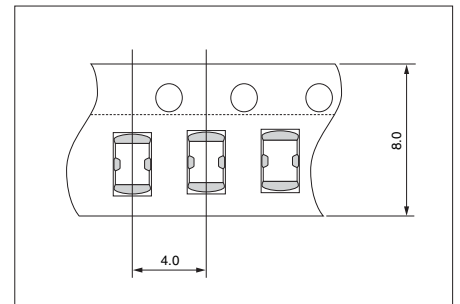
(Unit: mm)



## Packaging Specification

• Taping (3000/ reel)

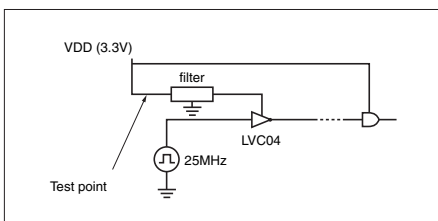
(Unit: mm)



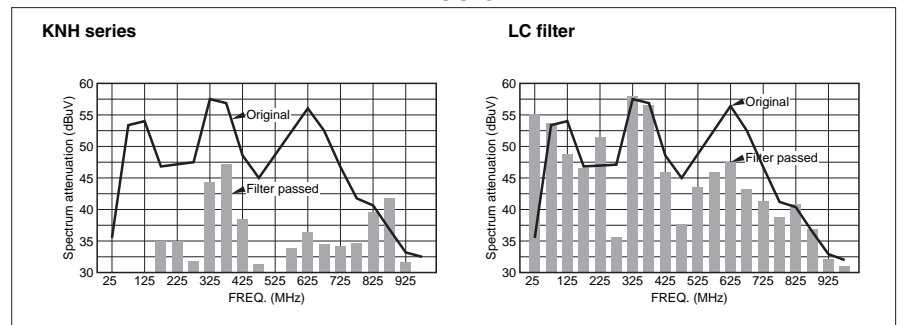
## <Electrical Characteristics>

- Wide attenuation range including surrounding circuit.

## Test Circuit



## Attenuation Effect of Power Supply Noise



# Mouser Electronics

Authorized Distributor

Click to View Pricing, Inventory, Delivery & Lifecycle Information:

[AVX:](#)

[KNH21104-3AA](#) [KNH21C104DA3T](#) [KNH21C105DA3T](#) [KNH21C106DA3T](#) [KNH21C473DA3T](#) [KNH21C475DA3T](#)  
[KNH16C104DA5TS](#) [KNH10C104DA20TS](#) [KNH10C224DA20TS](#) [KNH16C105DB5TS](#) [KNH10C474DA20TS](#)  
[KNH21C105DA3TS](#) [KNH21C104DA3TS](#) [KNH21C473DA3TS](#) [KNH21C106DA3TS](#) [KNH21C105DA3T](#)