



Features

- Low current consumption - high sound pressure
- Compact, light design
- High reliability and no contact noise
- Easy-mounting
- Wide variety of tones can be made by cavity designing
- Functions over a wide range of Input voltage

Applications

- Confirmation Tone for Various Office Automation Equipment
- Automobiles, Microwave Ovens, Refrigerators
- Clocks, Toys, Game Machines

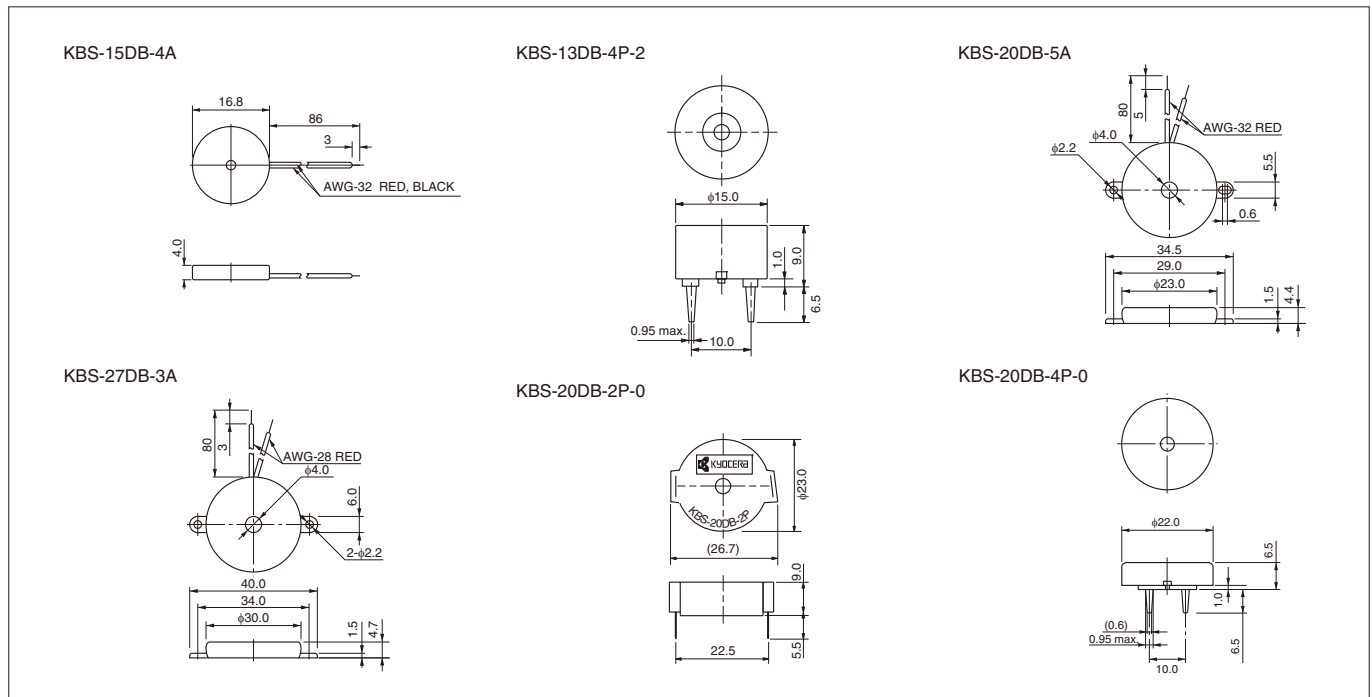
How to Order

KBS - 27 DB - 3 A
 ① ② ③ ④ ⑤

- ① Series
- ② Diameter (mm)
- ③ Appearance (Buzzer with Casing)
- ④ Resonant Frequency
- ⑤ Type of Terminals
(A: With Lead, P: Round Pin)

Dimensions

(Unit: mm)



Specifications

Part Number	Sound Pressure Level	Capacitance
KBS-13DB-4P-2	73dB min. 4.096kHz 10Vp-p SQ 30cm	10nF±30%
KBS-20DB-2P-0	75dB min. 2.048kHz 10Vp-p SQ 30cm	24nF±30%
KBS-20DB-4P-0	77dB min. 4.096kHz 10Vp-p SQ 30cm	14nF±30%
KBS-15DB-4A	72dB min. 4.096kHz 10Vp-p SQ 30cm	9.5nF±30%
KBS-20DB-5A	75dB min. 5.0 kHz 10Vp-p SQ 30cm	10nF±30%
KBS-27DB-3A	75dB min. 3.0 kHz 10Vp-p SQ 30cm	20nF±30%

Mouser Electronics

Authorized Distributor

Click to View Pricing, Inventory, Delivery & Lifecycle Information:

AVX:

[KBS-13DB-4P-2](#) [KBS-20DB-2P-0](#) [KBS-20DB-4P-0](#) [KBS-27DA-5A](#) [KBS-27DB-3A](#) [KBS-30DA-1A](#) [KBS-20DA-7A](#)
[KBS-27DA-3A](#) [KBS-27DB-3T](#) [KBS-13DA-12A](#) [KBS-15DA-9A-2](#) [KBS-15DA-9C-31](#) [KBS-15DB-4A](#) [KBS-15DB-4A-7](#)
[KBS-20DA-7C-104](#) [KBS-20DA-7C-105](#) [KBS-20DA-7C-35](#) [KBS-20DA-9A](#) [KBS-20DB-2P-10](#) [KBS-20DB-2P-9](#) [KBS-](#)
[20DB-4A-22](#) [KBS-20DB-5A](#) [KBS-27DA-5C-108](#) [KBS-27DA-5C-56](#) [KBS-30DB-1A-20](#) [KBS-35DA-3A](#) [KBS-35DA-](#)
[3FCS](#) [KBS-35DA-3G](#) [KBS-40DA-2GCS-3](#) [KBS-41DA-2A](#)