

FEATURES

- 5VDC to 58VDC in 1Volt Increments
- Remote Sense
- 1U Height
- 90-264 VAC Input
- UL/cUL , CB & DEMKO (EN60950) Approved
- RoHS Compliant
- 2x4 Footprint

SP75 Series 75W Open Frame Power Supply



SPECIFICATION

Model	SP75-10500	SP75-11200	SP75-11500	SP75-12400	SP75-14800	SP75-15800	
Output Requirements	Voltage (1)	5V	12V	15V	24V	48V	58V
	Current Range	0 ~ 8A	0 ~ 6.25A	0 ~ 5A	0 ~ 3.12A	0 ~ 1.56A	0 ~ 1.29A
	Rated Power	40W	75W	75W	75W	75W	75W
	Ripple & Noise (Max) (2)	1% Pk to Pk					
	Voltage Adjustment Range	± 5%					
	Voltage Tolerance	±5%					
	Line Regulation	±1%					
	Load Regulation	±5%					
	Setup, Rise Time	All output shall reach their steady state values within 3 Sec. of turn on					
	Hold Time	20mS min.					
Input Requirements	Voltage	90V ~ 264VAC					
	Frequency	47Hz / 63Hz					
	Efficiency (Typ. @ 115V AC)	68%	75%	84%	85%	85%	85%
	AC Current (max.)	2.0A @ 115VAC					
	Inrush Current (max.)	Will not exceed 30A / 115VAC, Cold Start, 25°C					
Protection Requirement	Short Circuit Protection	Protection type : Hiccup mode, recovers automatically after fault condition is removed					
	Over- Current Protection	>150% rated output power Protection type : Hiccup mode, recovers automatically after fault condition is removed					
	Over voltage protection	115% ~ 135% rated output voltage Protection type : Hiccup mode, Recycle AC to restart					
Environmental Conditions	Temperature Range	Operational	-40°C ~ 50°C				
		Storage	- 40°C ~ +80°C				
	Working Humidity	Operational	20 ~ 90% RH non-condensing				
		Storage	5 ~ 95% R.H				
	Temperature Coefficient	±0.01%/°C typical on all outputs					
Vibration	3G, 10-25Hz, 15min. Per cycle for each axis (X, Y, Z)						



Model	SP75-10500	SP75-11200	SP75-11500	SP75-12400	SP75-13800	SP75-14800
Safety & EMC	Safety Standards	UL/cUL (60950 2 nd Ed) , DEMKO and CB				
	Withstand Voltage	I/P - O/P: 3KVAC (4242 DC), 10mA for 1 minute				
	EMI Conduction & Radiation	EN55022 , FCC Class B				
	EMS Immunity	EN61204, EN61000-3-2, EN61000-3-3				
Others	MTBF	150,000 hrs @ 25°C based on MIL-STD-217F				
	Dimension (L*W*H)	101.64*50.83*30.5 (mm) - 4.0*2.0*1.2 (inch)				
	Weight	0.18kg - 0.40Lb				

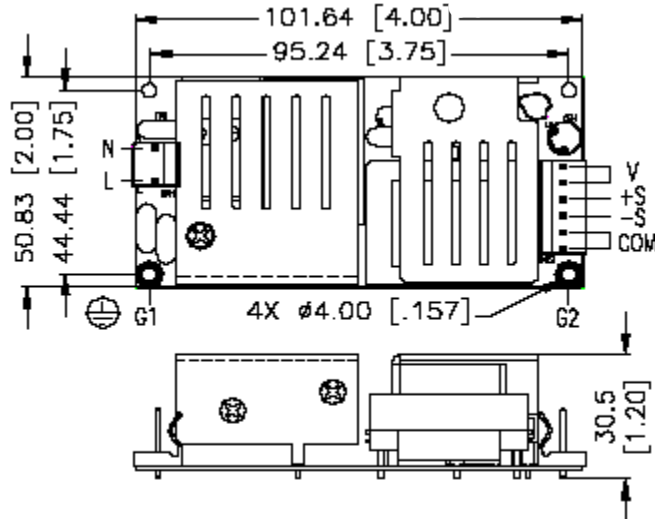
PIN ASSIGNMENT		
Connector	AC	DC
	Input	Output
PIN 1	Line	+V
PIN 2	NC	+V
PIN 3	Neutral	+ S (Remote Sense)
PIN 4		- S (Remote Sense)
PIN 5		-V
PIN 6		-V
Connector	Molex 1063-4037	Molex 09-65-2065

SHIPPING SPECIFICATIONS			
Series	UNITSP PER CARTON	CARTON WEIGHT	
SP75	72.0	13.27 Kgs	29.26 Lbs

INDIVIDUL BOX DIEMENSION		WIDTH	LENGTH	HEIGHT
Series	Inch	16.00	16.00	10.00
SP75	MM	406.4	406.4	254.0



SPECIFICATION



NOTES:

1. This family is from 5V to 48V in 1VDC increment, please consult Autec Sales with the right model # for your application.
2. Ripple & noise are measured at 20MHz of bandwidth by using a 12" twisted pair-wire terminated with a 0.1uf & 47uf parallel capacitor.
3. Tolerance: includes set up tolerance, line regulation and load regulation.
4. Line regulation is measured from low line to high line at rated load.
5. Load regulation is measured from 0% to 100% rated load.
6. Specification subject to change without notice.

