

■ **Features**

- Power Rating: 60W
- Input Voltage: 120-277Vac
- Constant current design
- Output current (500-2000mA)
- Efficiency to 84%
- Autec's Dual Dimming Technology
- Triac/0-10V Dimming
- OTP, SCP and Overload Protection
- Class 2
- UL Class P, Type HL
- IP20 & IP66
- 5-year warranty



*Product images are for illustrative purposes only and may vary from actual design.

■ **Application**

- Indoor and outdoor applications

■ **Model List***(See part number scheme for model number details)

Model Number	Input Voltage Range	Output Power	Output Voltage	Output Current Min.	Output Current Max.	Efficiency	Certification
LXWCD060S050PS-xxD2	120-277Vac	60W	60-120V	500mA	500mA	84%	UL/cUL
LXWCD060S060PS-xxD2	120-277Vac	60W	50-100V	600mA	600mA	84%	UL/cUL
LXWCD060S070PS-xxD2	120-277Vac	60W	43-86V	700mA	700mA	84%	UL/cUL
LXWCD060S080PS-xxD2	120-277Vac	60W	38-75V	800mA	800mA	84%	UL/cUL
LXWCD060S090PS-xxD2	120-277Vac	60W	33-67V	900mA	900mA	84%	UL/cUL
LXWCD060S100PS-xxD2	120-277Vac	60W	30-60V	1000mA	1000mA	84%	UL/cUL
LXWCD060S110PS-xxD2	120-277Vac	60W	27-55V	1100mA	1100mA	83%	UL/cUL
LXWCD060S120PS-xxD2	120-277Vac	60W	25-50V	1200mA	1200mA	83%	UL/cUL
LXWCD060S130PS-xxD2	120-277Vac	60W	23-46V	1300mA	1300mA	83%	UL/cUL
LXWCD060S140PS-xxD2	120-277Vac	60W	21-43V	1400mA	1400mA	83%	UL/cUL
LXWCD060S150PS-xxD2	120-277Vac	60W	20-40V	1500mA	1500mA	83%	UL/cUL
LXWCD060S160PS-xxD2	120-277Vac	60W	19-38V	1600mA	1600mA	83%	UL/cUL
LXWCD060S170PS-xxD2	120-277Vac	60W	18-35V	1700mA	1700mA	83%	UL/cUL
LXWCD060S180PS-xxD2	120-277Vac	60W	17-33V	1800mA	1800mA	83%	UL/cUL
LXWCD060S190PS-xxD2	120-277Vac	60W	16-32V	1900mA	1900mA	83%	UL/cUL
LXWCD060S200PS-xxD2	120-277Vac	60W	15-30V	2000mA	2000mA	83%	UL/cUL

*For -xx add -20 for IP20, and leave blank for IP66

■ **Technical Data**

Input voltage range	120-277Vac
Frequency	47-63Hz

Technical Sales / Customer Service: +1-818-338-7788 • Email: sales@autec.com

31328 Via Colinas Suite 102 • Westlake Village, CA 91362 USA • www.autec.com

August 14, 2019

1 / 3

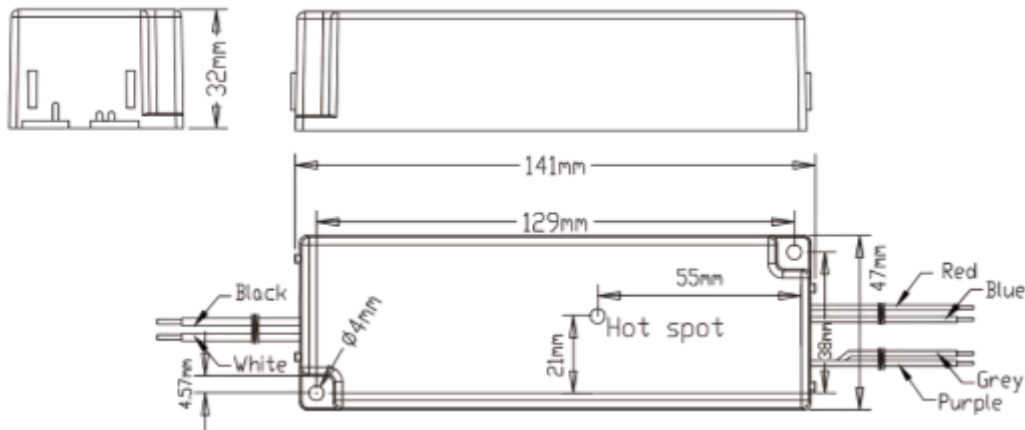
■ Technical Data(cont.)

Power factor	> 0.9
Output voltage	15-120V
Output power	60W
Efficiency	83-84%
Short Circuit Protection	Hiccup mode, recovers automatically after fault condition is removed
Overload Protection	Hiccup mode, recovers automatically after fault condition is removed
Over Temp. Protection	110°C Maximum temperature of components inside the case (typ.)
Operating Temperature	-40°C to +60°C
Dimensions	140.55x47.3x32mm
Packing	0.4kg/unit; 40pcs/carton

■ Safety Compliance

Safety	UL8750 approved
EMC	FCC 47 Part 15 Class B Consumer Limit; EN61000-3-2
Withstand Voltage	I/P – O/P 2kVac

■ Mechanical Design



Wire Specifications	
Input	UL rated, 18 AWG x 2C (30cm)
Output	UL rated, 18 AWG x 2C (30cm)

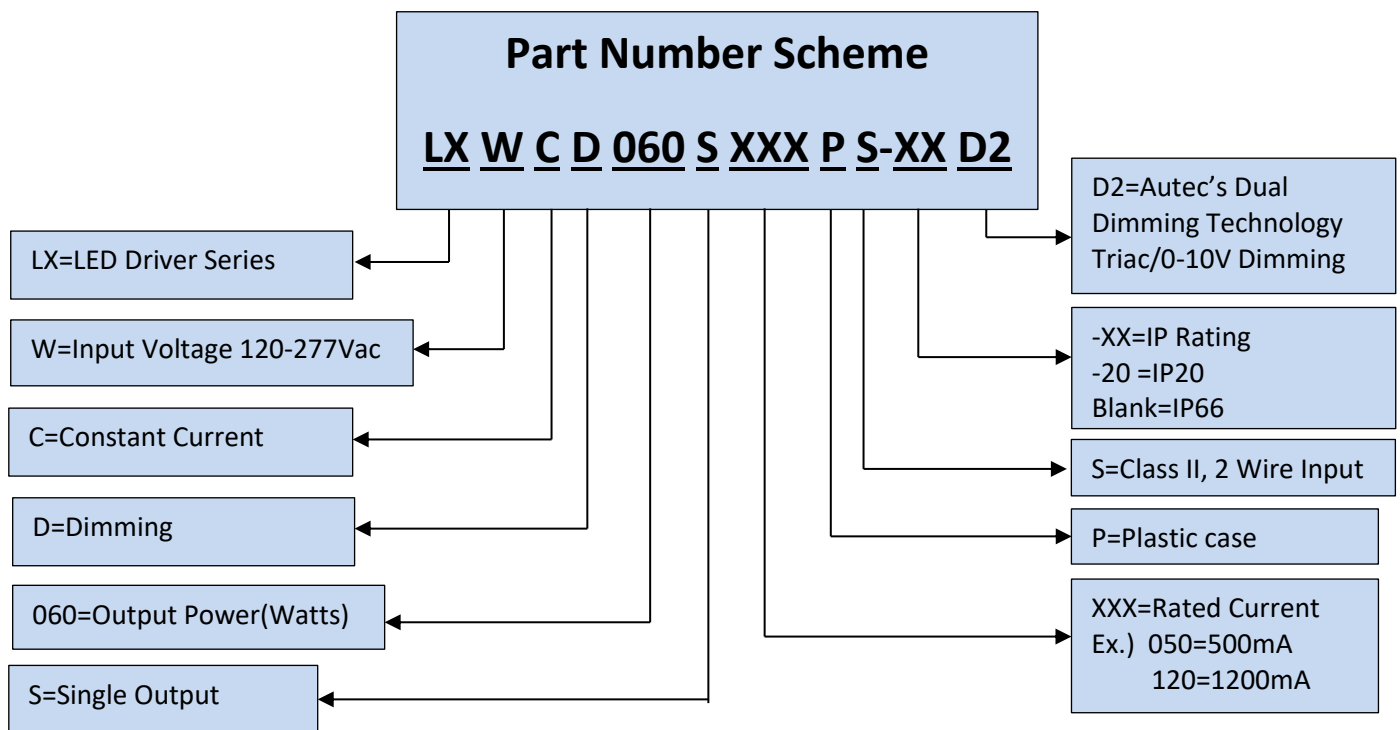
Technical Sales / Customer Service: +1-818-338-7788 • Email: sales@autec.com

31328 Via Colinas Suite 102 • Westlake Village, CA 91362 USA • www.autec.com

August 14, 2019

2 / 3

■ Wiring Diagram



*Product images are for illustrative purposes only and may vary from actual design.

*Specifications are subject to change without notice. Autec is not responsible for issues arising from errors or omissions.

Technical Sales / Customer Service: +1-818-338-7788 • Email: sales@autec.com

31328 Via Colinas Suite 102 • Westlake Village, CA 91362 USA • www.autec.com

August 14, 2019

3 / 3