

■ Features

- Power Rating: 36W
- Input Voltage: 120-277Vac ± 10%
- Constant current design
- Fixed output current(660mA-1500mA)
- Efficiency to 81%
- Dimmable with 0-10V dimmer
- UL Class 2
- OVP, OCP, SCP
- IP20
- 5-year warranty
- Metal case



\*Product images are for illustrative purposes only and may vary from actual design.

■ Application

- Indoor lights

■ Model List\*(See part number scheme for model number details)

Model Number	Input Voltage Range	Output Power	Output Voltage	Output Current Min.	Output Current Max.	Efficiency	Certification
LXWCD036S066SS-20	120~277Vac ± 10%	36W	27-54V	660mA	660mA	81%@120V 80%@240V 80%@277V	UL/-
LXWCD036S070SS-20	120~277Vac ± 10%	36W	26-51V	700mA	700mA	81%@120V 80%@240V 80%@277V	UL/-
LXWCD036S080SS-20	120~277Vac ± 10%	36W	23-45V	800mA	800mA	81%@120V 80%@240V 80%@277V	UL/-
LXWCD036S090SS-20	120~277Vac ± 10%	33W	18-36V	900mA	900mA	81%@120V 80%@240V 80%@277V	UL/cUL
LXWCD036S100SS-20	120~277Vac ± 10%	36W	18-36V	1000mA	1000mA	81%@120V 80%@240V 80%@277V	UL/cUL
LXWCD036S110SS-20	120~277Vac ± 10%	36W	16-33V	1100mA	1100mA	81%@120V 80%@240V 80%@277V	UL/cUL
LXWCD036S120SS-20	120~277Vac ± 10%	36W	15-30V	1200mA	1200mA	81%@120V 80%@240V 80%@277V	UL/cUL

Technical Sales / Customer Service: +1-818-338-7788 • Email: [sales@autec.com](mailto:sales@autec.com)  
 31328 Via Colinas Suite 102 • Westlake Village, CA 91362 USA • [www.autec.com](http://www.autec.com)

June 13, 2019

LXWCD036S130SS-20	120~277Vac ± 10%	36W	14-28V	1300mA	1300mA	81%@120V 80%@240V 80%@277V	UL/cUL
LXWCD036S140SS-20	120~277Vac ± 10%	36W	13-26V	1400mA	1400mA	81%@120V 80%@240V 80%@277V	UL/cUL
LXWCD036S150SS-20	120~277Vac ± 10%	36W	12-24V	1500mA	1500mA	81%@120V 80%@240V 80%@277V	UL/cUL

### ■ Technical Data

Input voltage range	120~277Vac ± 10%
Frequency	50/60Hz
Power factor	>0.9 under 120V-277V input with 80-100% load condition (for all output currents)
Inrush current	7A @230V
Max input current	0.41A @120V 0.22A @240V and 0.19A @277V
THD	<20% under 120V-277V input with 80-100% load condition (for all output currents)
Load regulation	± 2%
Line regulation	± 1%
Voltage tolerance	± 5% at full load condition
Turn-on delay time	< 0.75s at full load condition
Overshoot	< 10% at full load condition
No load power consumption	< 2W
Ripple & Noise (pk-pk)	< 10%
Withstand voltage	Input to output, 2,800 Vdc, 2mA
Leakage current	Maximum 0.5mA @ 277Vac, 60Hz input
Protection	Over voltage protection: Hiccup mode. Protection will trigger when load voltage exceed specified output voltage and will auto recover after the fault mode is removed. Over current protection: Hiccup mode. Protection will trigger when load current exceed specified output current and will auto recover after the fault mode is removed. Short circuit protection: Hiccup mode. Protection will trigger when short circuit and will auto recover after the fault mode is removed.
Operating temperature	-40 to 60°C
Storage temperature	-40 to 85°C
Humidity	5% to 95%
MTBF:	384,000 hours at 40°C ambient (~70°C case temp)
Life rating	80,000 hours at 120Vac input, 100% load and 60°C case temperature

**Technical Sales / Customer Service:** +1-818-338-7788 • Email: [sales@autec.com](mailto:sales@autec.com)

31328 Via Colinas Suite 102 • Westlake Village, CA 91362 USA • [www.autec.com](http://www.autec.com)

June 13, 2019

2 / 6

■ **Technical Data(cont.)**

Maximum case Temperature	90°C
Length (L)	6.46" (164.08mm)
Width (W)	1.89" (48mm)
Height (H)	1.15" (29.21mm)
Mounting (M)	6.00" (152.4mm)
Weight	0.36kg
Packing	0.36kg / unit ; 40pcs / carton ; 1,200pcs / pallet

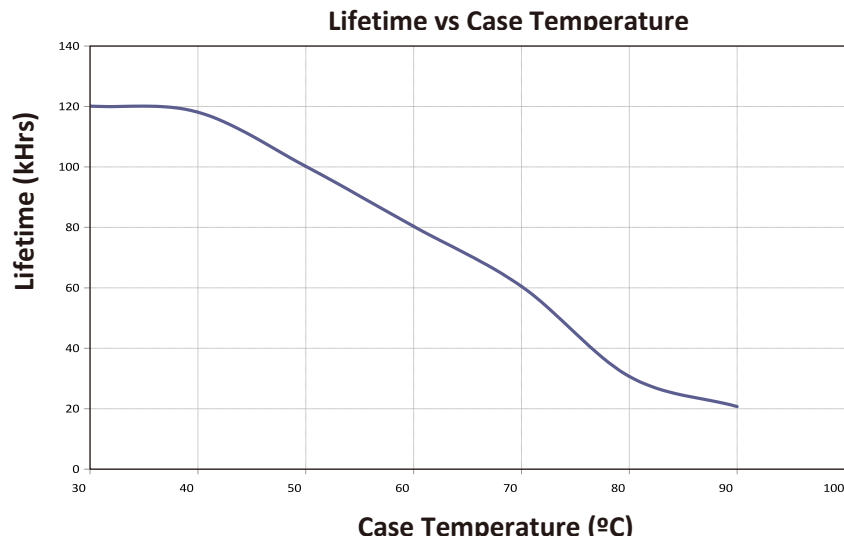
■ **Safety and EMC Compliance**

UL/cUL	UL 8750
CE	EN61347-1, EN61347-2-13
FCC, 47CFR Part 15	ANSI C63.4:2009 Class B Consumer Limit
EN61000-3-2	Harmonic Current Emissions Class C

Disclaimer:

Autec Power Systems' (Autec) LED Drivers are Hi-Pot tested during the manufacturing process. Autec assumes no responsibility for secondary Hi-Pot testing at customer location or designated production line(s). Should customer require further Hi-Pot testing, at their own production line, following assembly of the LED Driver into the customer's assembled fixture, Autec requests advance notice. This request must be communicated to Autec in a timely manner and is recommended to be requested at time of issuing each purchase order.

■ **Lifetime vs Case Temperature**



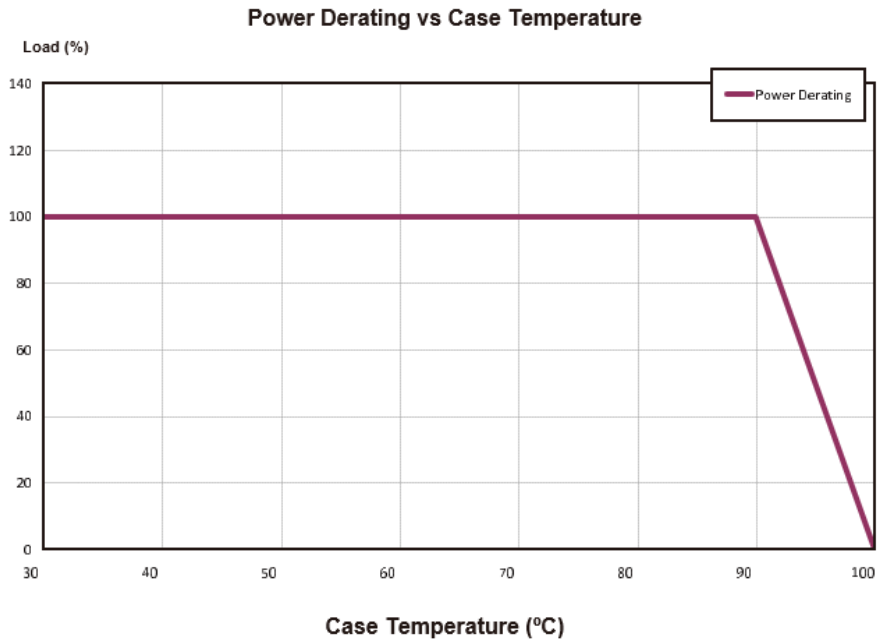
**Technical Sales / Customer Service:** +1-818-338-7788 • Email: [sales@autec.com](mailto:sales@autec.com)

31328 Via Colinas Suite 102 • Westlake Village, CA 91362 USA • [www.autec.com](http://www.autec.com)

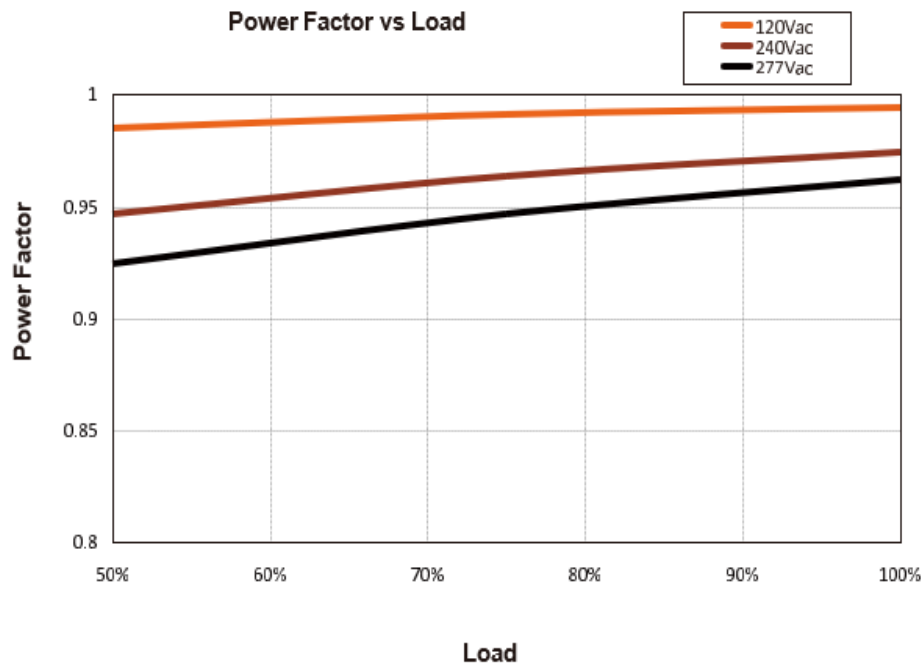
June 13, 2019

3 / 6

■ **Power Derating vs Case Temperature**



■ **Power Factor vs Load** LXWCD036S150SS-20



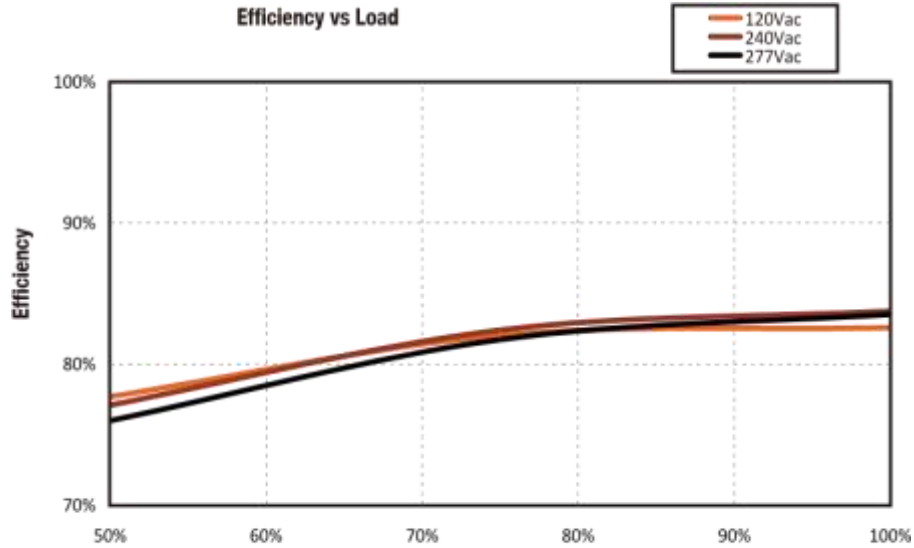
**Technical Sales / Customer Service:** +1-818-338-7788 • Email: [sales@autec.com](mailto:sales@autec.com)

31328 Via Colinas Suite 102 • Westlake Village, CA 91362 USA • [www.autec.com](http://www.autec.com)

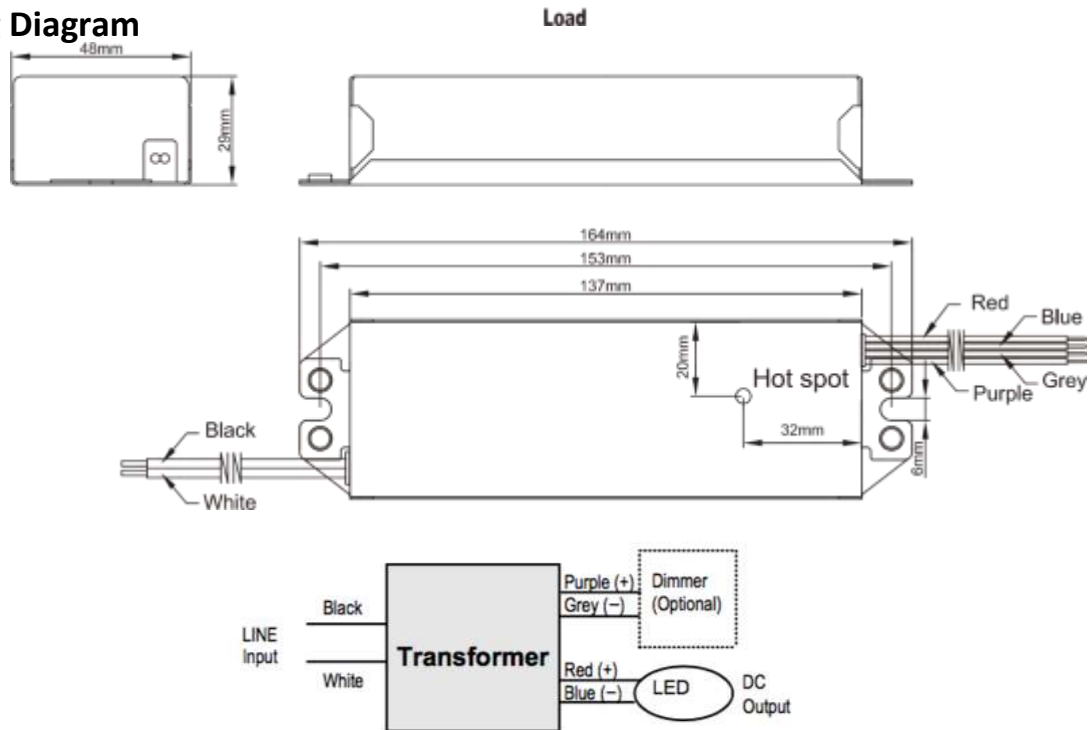
June 13, 2019

4 / 6

■ Efficiency vs Load LXWCD036S150SS-20



■ Wiring Diagram

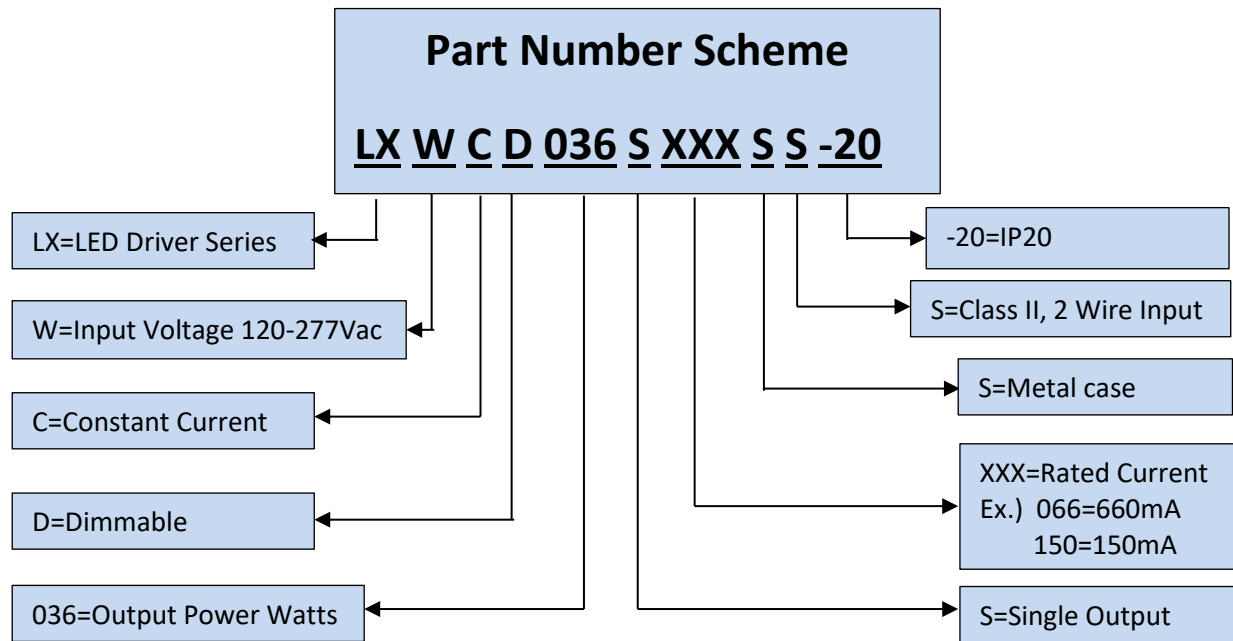


Wire Specifications	
Input	12", UL 1316 #18AWG (Black and White)
Output	12", UL 1569 #18AWG (with Non-Class 2 output)
Output	12", UL 1316/1430 #22AWG (with Class 2 output)
Dimming	Dimming: 12" UL 1316/1430 #22AWG (Purple and Grey)

Technical Sales / Customer Service: +1-818-338-7788 • Email: [sales@autec.com](mailto:sales@autec.com)

31328 Via Colinas Suite 102 • Westlake Village, CA 91362 USA • [www.autec.com](http://www.autec.com)

June 13, 2019



**\*Product images are for illustrative purposes only and may vary from actual design.**

**\*Specifications are subject to change without notice. Autec is not responsible for issues arising from errors or omissions.**

**Technical Sales / Customer Service:** +1-818-338-7788 • Email: [sales@autec.com](mailto:sales@autec.com)

31328 Via Colinas Suite 102 • Westlake Village, CA 91362 USA • [www.autec.com](http://www.autec.com)

June 13, 2019

6 / 6