

■ **Features**

- Power Rating: 16W
- Input Voltage: 120-277Vac ± 10%
- Constant current design
- Fixed output current(300mA-1100mA)
- Efficiency to 84%
- Auxiliary power: 12Vdc, 20mA max
- Dimmable with 0-10V dimmer
- UL Class 2
- OVP, OCP, SCP
- IP66
- 5-year warranty
- Plastic case



\*Product images are for illustrative purposes only and may vary from actual design.

■ **Application**

- Indoor or outdoor lights

■ **Model List\***(See part number scheme for model number details)

Model Number	Input Voltage Range	Output Power	Output Voltage	Output Current Min.	Output Current Max.	Efficiency	Certification
LXWCD016S030PS-3	120~277Vac ± 10%	16W	17-53V	300mA	300mA	84% @120V 83% @240V 82% @277V	UL/-
LXWCD016S035PS-3	120~277Vac ± 10%	16W	15-46V	350mA	350mA	84% @120V 83% @240V 82% @277V	UL/-
LXWCD016S036PS-3	120~277Vac ± 10%	16W	14-44V	360mA	360mA	84% @120V 83% @240V 82% @277V	UL/-
LXWCD016S040PS-3	120~277Vac ± 10%	16W	14-40V	400mA	400mA	84% @120V 83% @240V 82% @277V	UL/cUL
LXWCD016S045PS-3	120~277Vac ± 10%	16W	12-36V	450mA	450mA	84% @120V 83% @240V 82% @277V	UL/cUL
LXWCD016S050PS-3	120~277Vac ± 10%	16W	14-32V	500mA	500mA	84% @120V 83% @240V 82% @277V	UL/cUL
LXWCD016S060PS-3	120~277Vac ± 10%	16W	12-27V	600mA	600mA	84% @120V 83% @240V 82% @277V	UL/cUL
LXWCD016S070PS-3	120~277Vac ± 10%	16W	10-23V	700mA	700mA	84% @120V 83% @240V 82% @277V	UL/cUL

(-3= 3-wire dimming option, Contact Autec Sales for 2-wire dimming options)

**Technical Sales / Customer Service:** +1-818-338-7788 • Email: [sales@autec.com](mailto:sales@autec.com)  
31328 Via Colinas Suite 102 • Westlake Village, CA 91362 USA • [www.autec.com](http://www.autec.com)

June 13, 2019

**■ Model List(cont.)**

Model Number	Input Voltage Range	Output Power	Output Voltage	Output Current Min.	Output Current Max.	Efficiency	Certification
LXWCD016S080PS-3	120~277Vac ± 10%	16W	9-20V	800mA	800mA	84% @120V 83% @240V 82% @277V	UL/cUL
LXWCD016S090PS-3	120~277Vac ± 10%	16W	8-18V	900mA	900mA	84% @120V 83% @240V 82% @277V	UL/cUL
LXWCD016S100PS-3	120~277Vac ± 10%	16W	7-16V	1000mA	1000mA	84% @120V 83% @240V 82% @277V	UL/cUL
LXWCD016S110PS-3	120~277Vac ± 10%	16W	6-15V	1100mA	1100mA	84% @120V 83% @240V 82% @277V	UL/cUL

(-3= 3-wire dimming option, Contact Autec Sales for 2-wire dimming options)

**■ Technical Data**

Input voltage range	120~277Vac ± 10%
Frequency	50/60Hz
Power factor	> 0.9 under 120~277Vac input with 80~100% load condition (for all output currents)
Inrush current	10A @ 120V
Max input current	0.19A @120V, 0.11A @240V, and 0.09A @277V
THD	< 20% under 120~277Vac input with 80~100% load condition (for all output currents)
Load Regulation	± 2%
Line Regulation	± 2%
Current Tolerance	± 5% at full load condition
Turn-on Delay Time	< 0.5s at full load condition
Overshoot	< 10% at full load condition
No Load Power Consumption	< 1W
Ripple & Noise (pk-pk)	< 10%
Withstand voltage	Input to output, 2,800Vdc, 2mA
Leakage current	Maximum 0.5mA at 277Vac, 60Hz input

**Technical Sales / Customer Service:** +1-818-338-7788 • Email: [sales@autec.com](mailto:sales@autec.com)

31328 Via Colinas Suite 102 • Westlake Village, CA 91362 USA • [www.autec.com](http://www.autec.com)

June 13, 2019

2 / 7

**■ Technical Data(Cont.)**

Protection	Over voltage protection: Hiccup mode. Protection will trigger when load voltage exceeds specified output voltage and will auto recover after the fault mode is removed. Over current protection: Hiccup mode. Protection will trigger when load current exceeds specified output current and will auto recover after the fault mode is removed. Short circuit protection: Hiccup mode. Protection will trigger when short circuit and will auto recover after the fault mode is removed.
Operating temperature	-40 to 60°C
Storage temperature	-40 to 85°C
Humidity	5% to 95%
MTBF	690,000 hours at 40°C ambient (~70°C case temp)
Life rating	75,000 hours at 120Vac input, 100% load and 60°C case temperature
Maximum case Temperature	90°C
Length (L)	3.15" (80mm)
Width (W)	3.07" (78mm)
Height (H)	1.00" (25.4mm)
Mounting (M)	2.76" (70mm)
Packing	0.19kg/unit; 50 pcs/carton; 2000pcs/pallet

**■ Safety Compliance**

UL/cUL	UL 8750, Class P, Type HL
CE	EN61347-1, EN61347-2-13
FCC, 47CFR Part 15	ANSI C63.4:2009 Class B (Consumer Limit)
EN61000-3-2	Harmonic Current Emissions Class C

**Disclaimer:**

Autec Power Systems' (Autec) LED Drivers are Hi-Pot tested during the manufacturing process. Autec assumes no responsibility for secondary Hi-Pot testing at customer location or designated production line(s). Should customer require further Hi-Pot testing, at their own production line, following assembly of the LED Driver into the customer's assembled fixture, Autec requests advance notice. This request must be communicated to Autec in a timely manner and is recommended to be requested at time of issuing each purchase order.

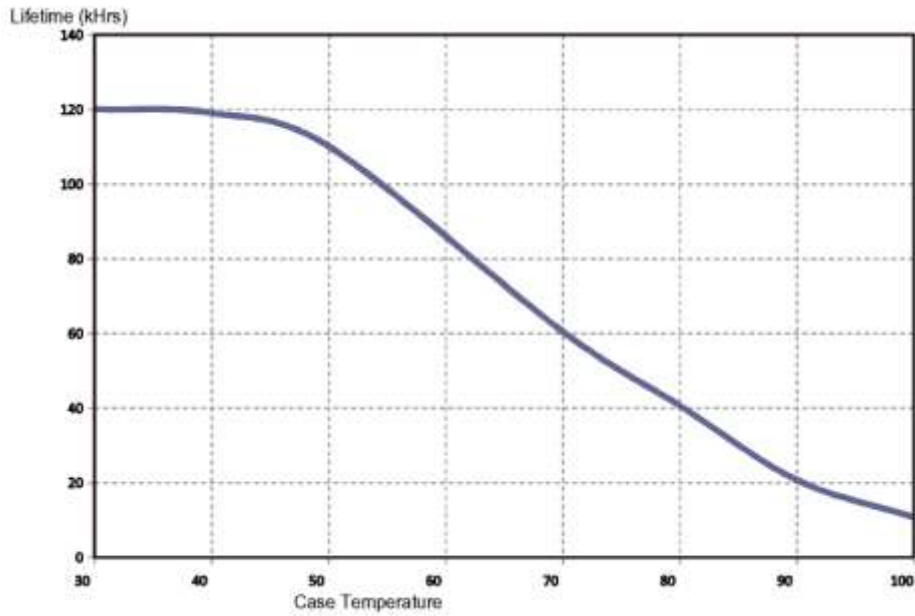
**Technical Sales / Customer Service:** +1-818-338-7788 • Email: [sales@autec.com](mailto:sales@autec.com)

31328 Via Colinas Suite 102 • Westlake Village, CA 91362 USA • [www.autec.com](http://www.autec.com)

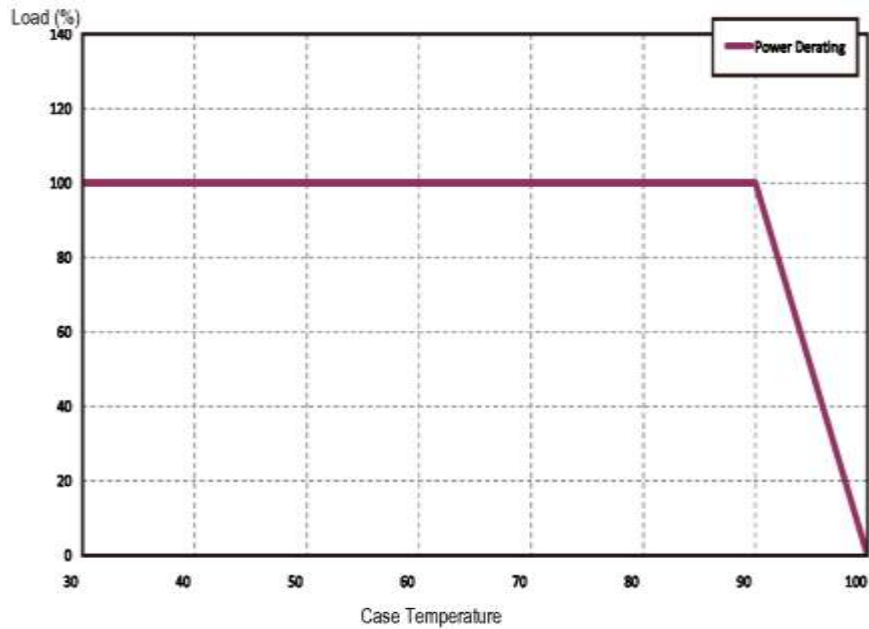
June 13, 2019

3 / 7

■ Lifetime vs Case Temperature



■ Power Derating vs Case Temperature



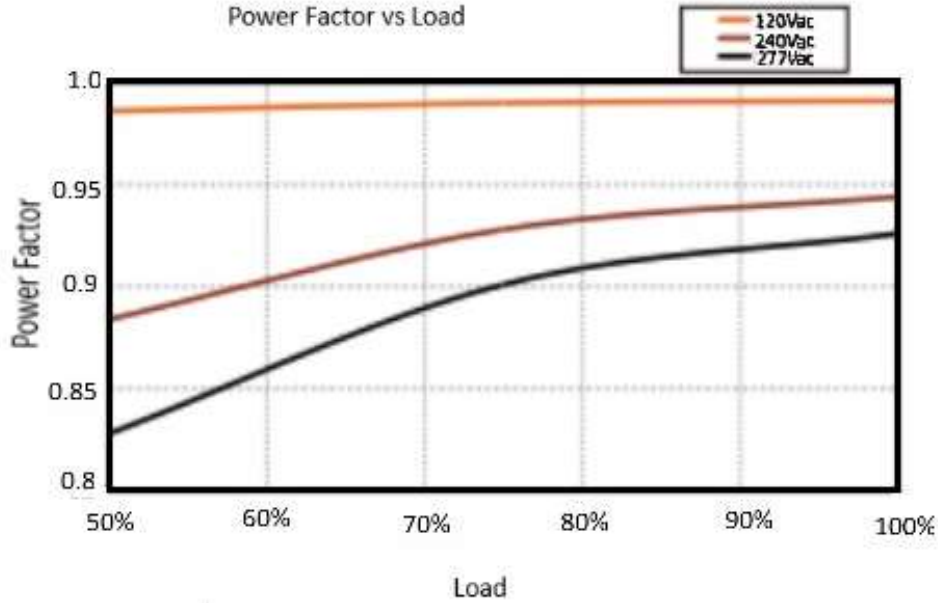
Technical Sales / Customer Service: +1-818-338-7788 • Email: [sales@autec.com](mailto:sales@autec.com)

31328 Via Colinas Suite 102 • Westlake Village, CA 91362 USA • [www.autec.com](http://www.autec.com)

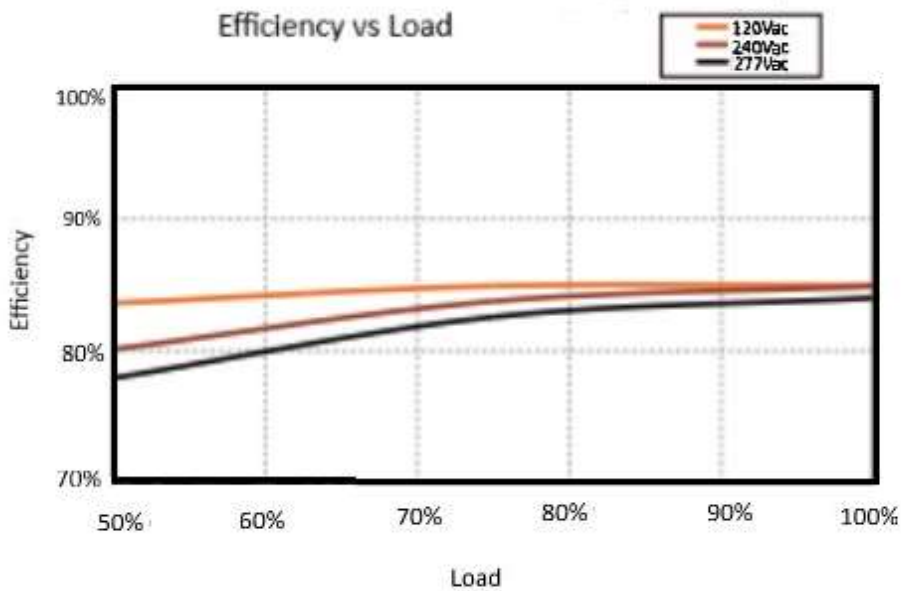
June 13, 2019

4 / 7

■ Power Factor vs Load



■ Efficiency vs Load



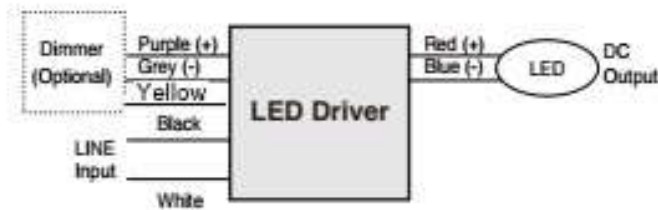
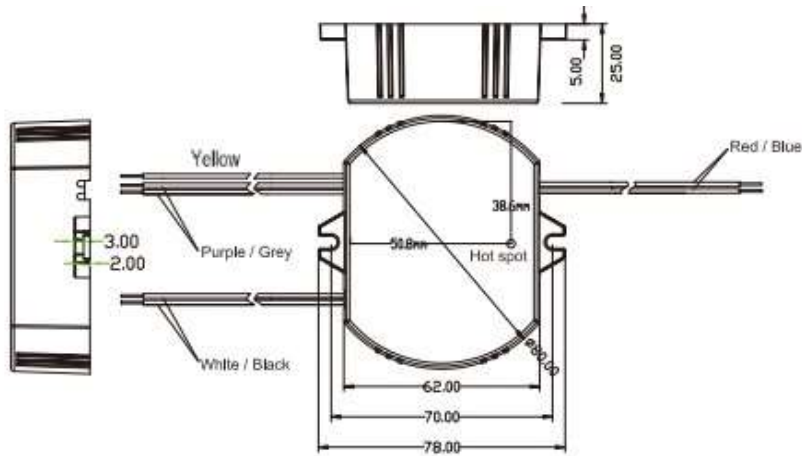
Technical Sales / Customer Service: +1-818-338-7788 • Email: [sales@autec.com](mailto:sales@autec.com)

31328 Via Colinas Suite 102 • Westlake Village, CA 91362 USA • [www.autec.com](http://www.autec.com)

June 13, 2019

5 / 7

■ Wiring Diagram



**Wire Specifications**

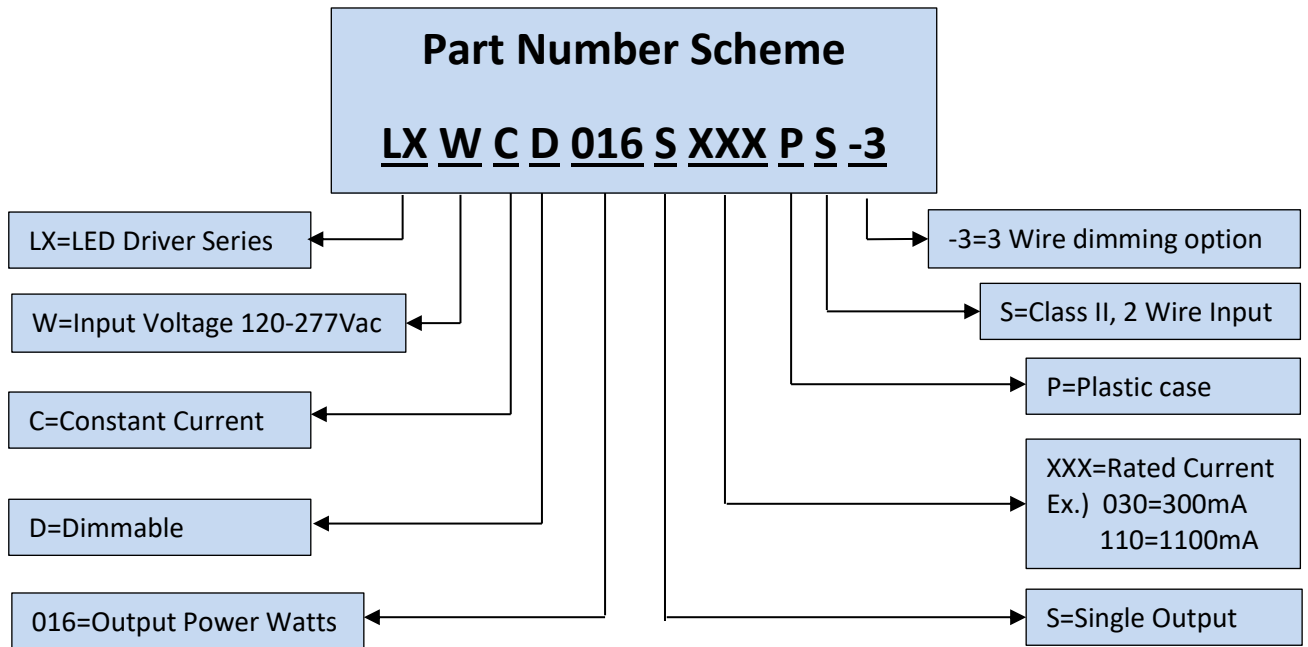
Wire Specifications	
Input	12", UL 1316 #18AWG (Black and White)
Output	12", UL 1316 #18AWG (With Non-Class 2 output)
Output	12", UL 1316/1430 #22AWG (With Class 2 Output) (Red and Blue)
Dimming	12", UL 1316/1430 #22AWG (Purple and Grey), Auxiliary power: 12Vdc, 20mA max (Yellow)

Technical Sales / Customer Service: +1-818-338-7788 • Email: [sales@autec.com](mailto:sales@autec.com)

31328 Via Colinas Suite 102 • Westlake Village, CA 91362 USA • [www.autec.com](http://www.autec.com)

June 13, 2019

6 / 7



\*Product images are for illustrative purposes only and may vary from actual design.

\*Specifications are subject to change without notice. Autec is not responsible for issues arising from errors or omissions.

Technical Sales / Customer Service: +1-818-338-7788 • Email: [sales@autec.com](mailto:sales@autec.com)

31328 Via Colinas Suite 102 • Westlake Village, CA 91362 USA • [www.autec.com](http://www.autec.com)

June 13, 2019

7 / 7