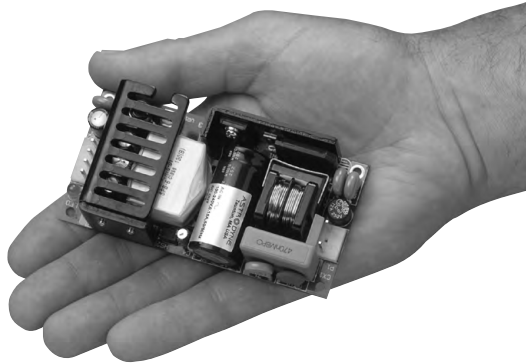


2"W x 4"L x 1.2"H

- 40W to 60W Output Power
- Universal 90-264VAC Input
- Single, Dual & Triple Outputs from 3.3 to 48VDC
- High Efficiency to 88%
- 3000V Isolation
- 1U Compatible Height

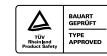


Model Number	Output Voltage	Output Amps	Efficiency %
<b>40W SINGLE OUTPUT</b>			
OFM40-033	3.3VDC	6	74
OFM40-050	5VDC	6	78
OFM40-090	9VDC	4.45	82
OFM40-120	12VDC	3.34	84
OFM40-150	15VDC	2.67	85
OFM40-240	24VDC	1.67	86
OFM40-300	30VDC	1.33	86
OFM40-360	36VDC	1.11	87
OFM40-480	48VDC	0.83	88
<b>40W DUAL OUTPUT</b>			
	<b>V1/V2</b>	<b>I1/I2 (Min.-Max.)</b>	
OFM40D-01	5 / 12VDC	0.4 - 3.2 / 0.2 - 2A	77
OFM40D-02	5 / 24VDC	0.4 - 3.2 / 0.2 - 1.2A	78
<b>40W TRIPLE OUTPUT</b>			
	<b>V1/V2/V3</b>	<b>I1/I2/I3 (Min.-Max.)</b>	
OFM40T-01	5/12/-5VDC	0.4 - 3/0.2 - 2/0 - 0.3A	75
OFM40T-02	5/12/-12VDC	0.4 - 3/0.2 - 2/0 - 0.3A	75
OFM40T-03	5/15/-15VDC	0.4 - 3/0.2 - 1.6/0 - 0.3A	75
OFM40T-04	5/24/-12VDC	0.4 - 3/0.2 - 1/0 - 0.3A	75
OFM40T-05	5/24/-5VDC	0.4 - 3/0.2 - 1/0 - 0.3A	75
OFM40T-06	5/24/12VDC	0.4 - 3/0.2 - 1/0 - 0.3A	75
OFM40T-07	3.3/5/-12VDC	0.4 - 5/0.2 - 2/0 - 0.3A	68



2"W x 4"L x 1.2"H

- 40W to 60W Output Power
- Universal 90-264VAC Input
- Single Outputs from 3.3 to 48VDC
- High Efficiency to 88%
- 3000V Isolation
- 1U Compatible Height



Model Number	Output Voltage	Output Amps	Efficiency %
<b>60 WATT</b>			
OFM60-033	3.3VDC	8	74
OFM60-050	5VDC	8	78
OFM60-090	9VDC	6.67	82
OFM60-120	12VDC	5	84
OFM60-150	15VDC	4	85
OFM60-240	24VDC	2.5	86
OFM60-300	30VDC	2	86
OFM60-360	36VDC	1.67	87
OFM60-480	48VDC	1.25	88

**INPUT SPECIFICATIONS**

Input Voltage Range	90-264 VAC
Frequency Range	47-63 Hz
Inrush Current, typ:	30A @ 100VAC Input *
	50A @ 200VAC Input *

**OUTPUT SPECIFICATIONS**

Voltage and Current	See Selection Chart
Load Regulation	(10-100% FL)
	Single Outputs +/-1%
	Dual/Triple Output +/-3%
Line Regulation	Singles +/- 0.5 max
Preset Accuracy	1%
DC Voltage Adjust (typ)	+/- 6% of FS (Primary)
Temperature Coefficient	+/-0.05%/°C
Ripple/Noise, 20Mhz BW	50mV Pk-Pk, typ
Over Voltage Protection	Clamp, 130-150% *
Short Circuit Protection	Continuous, self-recovering
Hold Up Time	8 mS, typ

**GENERAL SPECIFICATIONS**

Input-Out Isolation	I/P-O/P:3000VAC
Efficiency	74%~88%, typ
Switching Frequency	100Khz, (fixed, typical)
Safety	UL, TUV

**PHYSICAL SPECIFICATIONS**

Size	2" x 4" x 1.2"
	50.8 x 101.6 x 30.48mmConstruction
	Open Frame
Weight	7oz (198g)

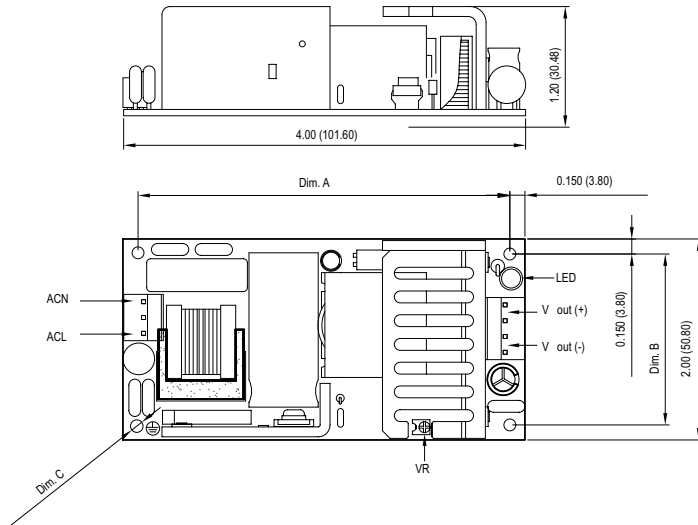
**ENVIRONMENTAL SPECIFICATIONS**

Oper. Temperature	0 to +50°C(FL)
Storage Temperature	-40 to +85°C *
Relative Humidity	0 to + 95%, non-cond *
EMC	CISPR/FCC Class B
MTBF	300,000 Hrs
	Mil Std 217, 25C

All specifications are typical at nominal input, full load, and 25°C unless otherwise noted

\* These are stress ratings. Exposure of the devices to any of these conditions may adversely affect long term reliability. Proper operation under conditions other than the standard operating conditions is neither warranted nor implied.

### MECHANICAL DIMENSIONS



**Note: Single/Dual Dimensional Differences**

Dimensions	Singles	Dual/Triples
A	3.70 (94.00)	3.75 (95.3)
B	1.70 (43.2)	1.75 (44.5)
C	0.125 (3.17)	0.12 (3.0)

**Single Output**



**Dual/Triple Output**



**Connector Mate Type**

**Single Output Versions:**

Input: Molex 09-50-3031  
Output: Molex 09-50-3041

**Dual/Triple Output Versions:**

Input: Molex 09-50-3031  
Output: Molex 09-50-3061

### OUTPUT DERATING CURVE

