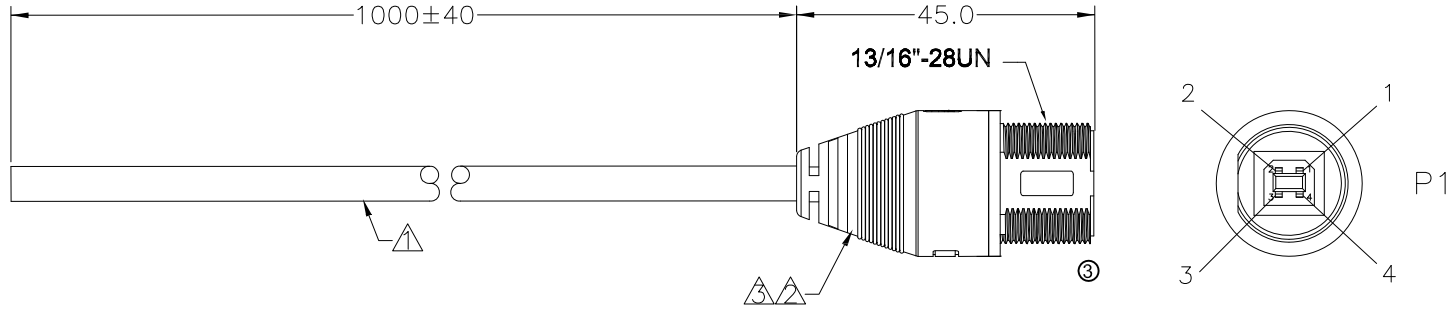
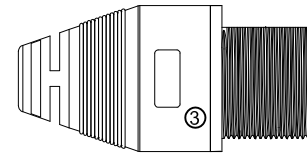


OPEN



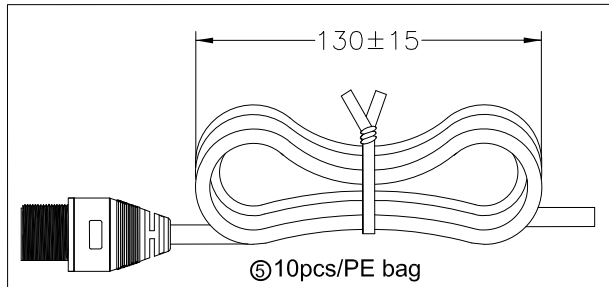
WIRE LIST

	PAIR	COLOR	P1
OPEN		RED(24AWG)	1
		WHITE(28AWG)	2
		GREEN(28AWG)	3
		BLACK(24AWG)	4
	Drain		SHELL



- ③ TESTING CONDITIONS:
1. VOLTAGE: 300V DC/0.01S.
 2. INSULATION RESISTANCE: 10MΩ Min.
 3. CONDUCTIVE RESISTANCE: 5Ω Max.
 4. 100% OPEN AND SHORT ELECTRICAL TEST.

Waterproof rate:IP67



③	ABS 94V-0, BLACK, 13/16" -28UN SHELL	12	G
②	USB B/F CONNECTOR SOLDER ABS 94V-0 BLACK	1	SET
①	USB 2.0 28AWG*1P+24AWG*2C+AL.MY+D+B JACKET BLACK PVC OD=5.0±0.2mm(UV RESISTANT)	1	PCS
ITEM	SPECIFICATION	QTY	UNIT

RoHS compliant
Unit: mm

Scale	Free					Date	Name	Customer-No.	
TOLERANCE ±0.5	⑤	Update the packing	21.05.2019	Segal	Drawn	19.01.2004	Hellwig	ASSMANN WSW-No. A-KAB-USBB-FS-1M	
	④	Correct the description of USB	20.05.2019	Amy	Approved	21.05.2019	Amy		
	③	Cancel "A" logo Add testing conditions and table list	16.03.2018	Amy					
	②	Update	07.07.2009	Dean				Drawing-No.	
	①	Drawn	31.05.2007	Hellwig			ASS 2240 CA	rev05	
		Id.	Modification	Date	Name			Replace	Sheet

1

2

3

4

5

6

7