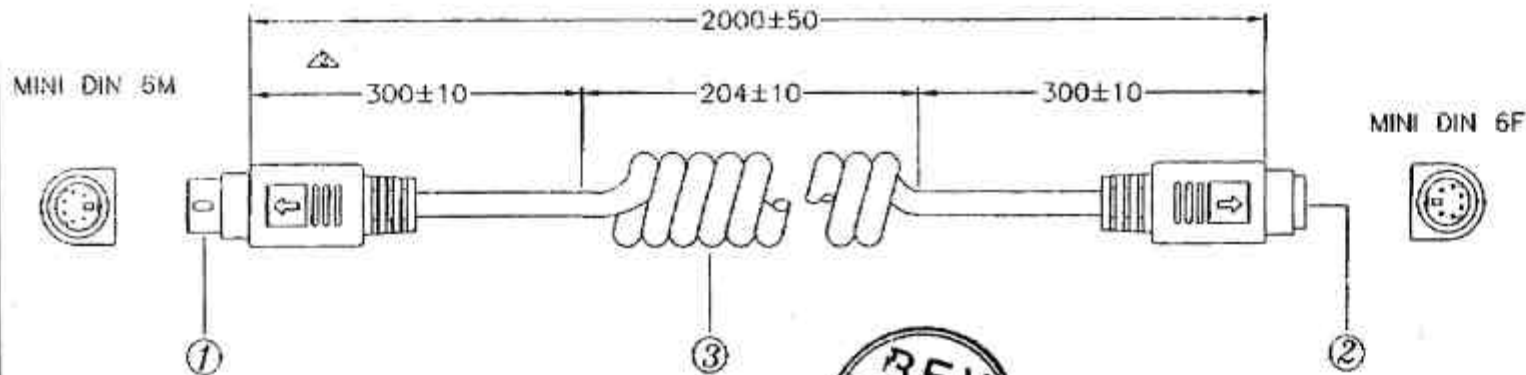


DATE BY	REVISION
88/1.11	△
89/10.18	△



MAT'L:  
 △ 1.CABLE:#28,6C+1(#26)+AL/MY(COILED),O.D:5.0  
 2.CONNECTORS:MINIDIN 6M  
 MINIDIN 6F

NOTE:  
 1.TOTAL LENGTH:2000±50mm  
 2.COLOR:BEIGE  
 3.MOLDED TYPE

CONFIGURATION:  
 MINI DIN 6M      MINI DIN 6F

- 1 ————— 1 BLACK
- 2 ————— 2 BROWN
- 3 ————— 3 RED
- 4 ————— 4 ORANGE
- 5 ————— 5 YELLOW
- 6 ————— 6 GREEN
- SHIELD ————— SHIELD

\*MODIFY:COILED LENGTH CHANGE      Y.C.C/89.10.18  
 \*MODIFY:BUYER NO:CCB21M-03(AK323 2M) → AK323 2M  
 O.D:5.0 → 5.4      Y.C.C/88.1.11

③	#28,6C+1+AL/MY(COILED),BEIGE,O.D:5.0	2M
②	MINIDIN 6F	1
①	MINIDIN 6M	1
No.	DESCRIPTION	QTY

TE	11 JAN. 1999	PARTS NO	KB2263M	TITL	MINIDIN 6M-MINIDIN 6F
HT	MM	DRAWN NO	000236		(MOLDED TYPE)
ALE		BUYER NO	002		AK323 2M

DRAWN Y.C.C 1/11      CHECK      APPRO  
 ASSMANN Electronics