

1

2

3

4

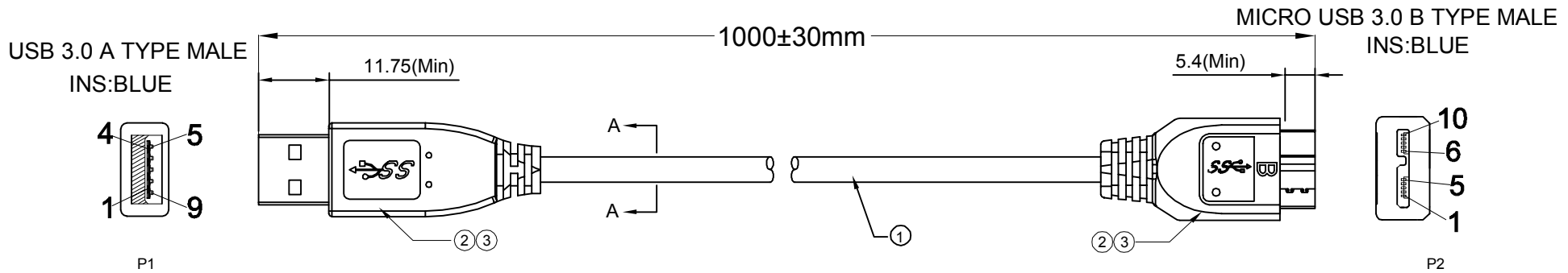
5

6

7

Signature	Revision History	Date	Rev.
Sean	For Bulk Production	Mar.17.2014	01

RoHS Compliant



NOTES:

1.CABLE: UL 2725 [28AWG(7/0.127TC)*1P+D28AWG(7/0.127TC)+AL/MY]*2C+28AWG(7/0.127TC)*1P+28AWG(7/0.127TC)*2C +D28AWG(7/0.127TC)+AL/MY+B(85% COVERAGE ALM) OD=5.5±0.20mm JACKET COLOR: BLACK
 CABLE MUST PRINT: E***** AWM STYLE 2725 80°C 30V VW-1

2.CONNECTOR:

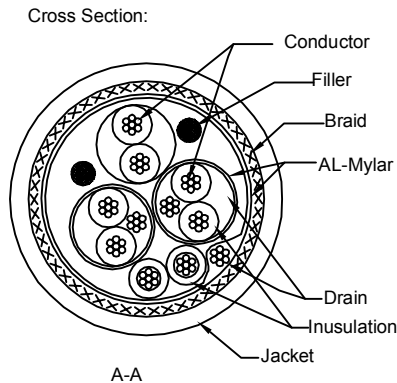
P1 : USB 3.0 A/M, SOLDER, BLUE INSULATION, 3u GOLD PLATED CONTACTS, NICKEL PLATED SHELL
 P2 : MICRO USB 3.0 B/M, SOLDER, BLUE INSULATION, 3u GOLD PLATED CONTACTS, NICKEL PLATED SHELL

3.HOOD: MOLDED TYPE,PVC 45P,COLOR:BLACK.

4.ELECTRICLE TEST:

- (1)100% OPEN SHORT & MIS WIRE TEST.
- (2)CONTACT RESISTANCE 3 ohm Max .
- (3)INSULATION RESISTANCE 10M ohm Min .
- (4)HI-POT TEST:DC 300V/10ms

PIN ASSIGNMENT			
P1		P2	
1	RED	1	VCC
2	WHITE	2	-DATA
3	GREEN	3	+DATA
4	BLACK	5	GND_PWRrt
5	BLUE	6	SDP1-
6	YELLOW	7	SDP1+
7	D.W	8	SDP1,SDP2_Drain
8	PURPLE	9	SDP2-
9	ORANGE	10	SDP2+
SHELL	B.D	SHELL	



Date	Name	Part No. AK-300116-010-S EAN:4016032283287		
Mar.17,2014	Sean			
Checked by	Joe			
Approved by	Andy	Title USB 3.0 A/M - MICRO USB 3.0 B/M CABLE		
ASSMANN Electronic GmbH		Scale	N/A	Sheet 1/2
		Unit	MM	

80218

1

2

3

4

5

6

7