

DA5-050 Series

5 Watts

Data Sheet

Total Power: 5 Watts
Input Voltage: 100 - 240 Vac
of Outputs: Single

SPECIAL FEATURES

- Small size 44 x 39.5 x 25 mm excluding AC pins
- High average loading efficiency 76%
- USB connector output
- -10 °C to +40 °C operating temperature range
- Protections: overvoltage, overtemperature, overcurrent, short circuit
- Reinforced isolation 3000 Vac rms
- European CoC v5 T2 & US DoE VI Compliant
- EN60950-1 Safety Standard
- One year warranty

SAFETY

- cUL/UL 60950-1
- IEC/EN 60950-1
- CCC
- CE
- GS
- Designed to meet:
 - NOM-NYCE
 - SPRING
 - IRAM
 - C-Tick
 - NSW



Electrical Specifications

Input	
Input voltage range	90 - 264 Vac (100 - 240 Vac nominal)
Frequency	47 - 63 Hz (50 / 60 Hz nominal)
Input current (max)	200 mA
Leakage current	80 µA
No load power	<75 mW
Output	
Maximum power	5 W
Output voltage	5 V
Hold-up time	10 ms typical 115 Vac at full load

Environmental Specifications

Operating temperature	-10 °C to +40 °C
Storage temperature	-40 °C to +85 °C
Electromagnetic susceptibility	EM55022, FCC Part 15
Humidity	Non-condensing 5% to 95% RH
MTBF	>100,000 hours at full load and 25 °C ambient

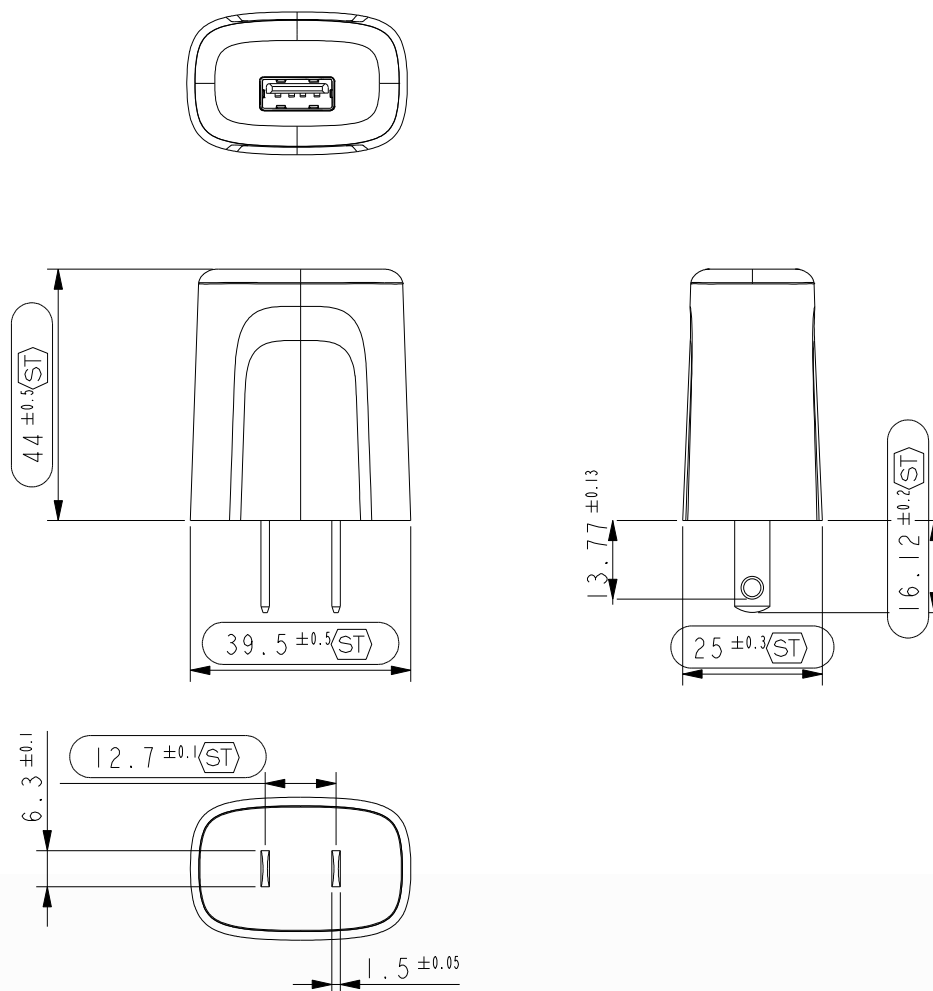
Ordering Information

Model Number	Input Voltage Range	Output Voltage	Minimum Load	Maximum Load
DA5-050US-B/-W	90 - 264 Vac	5 V	0 A	1 A
DA5-050CH-B	90 - 264 Vac	5 V	0 A	1 A
DA5-050EU-B	90 - 264 Vac	5 V	0 A	1 A
DA5-050UK-B	90 - 264 Vac	5 V	0 A	1 A

-B = Black

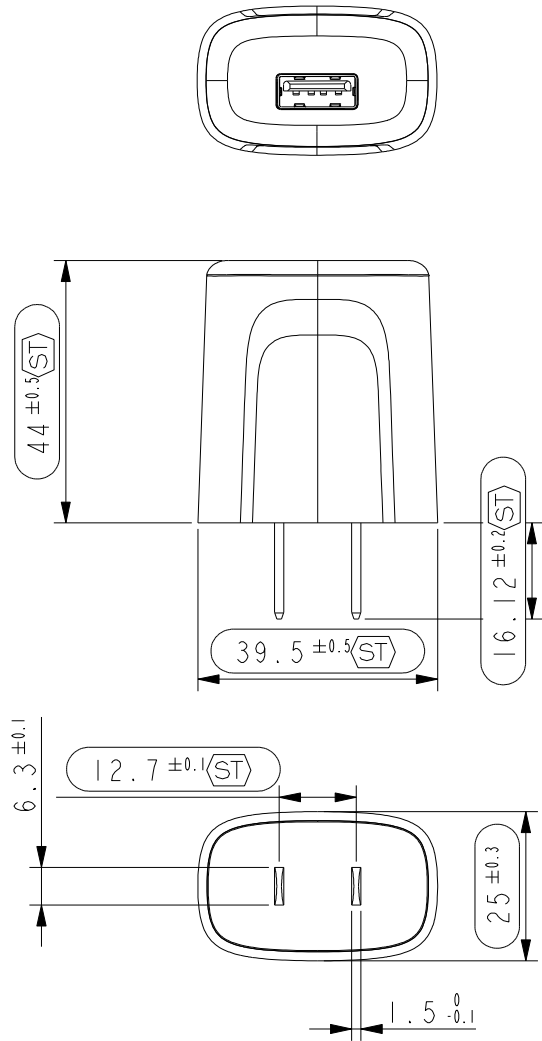
-W = White

Mechanical Drawings - DA5-050 US



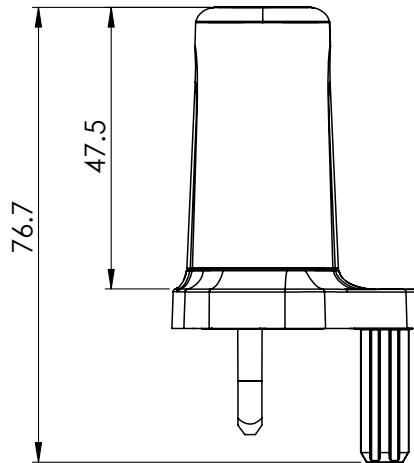
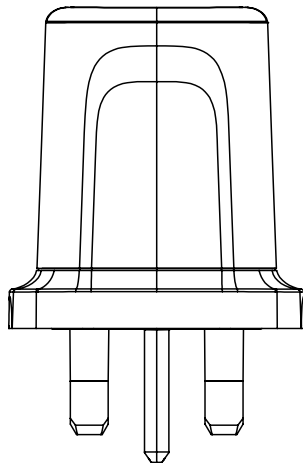
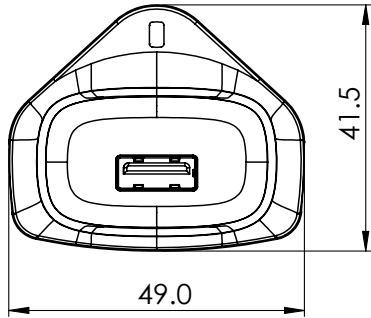
Note: All dimensions in mm.

Mechanical Drawings - DA5-050CH



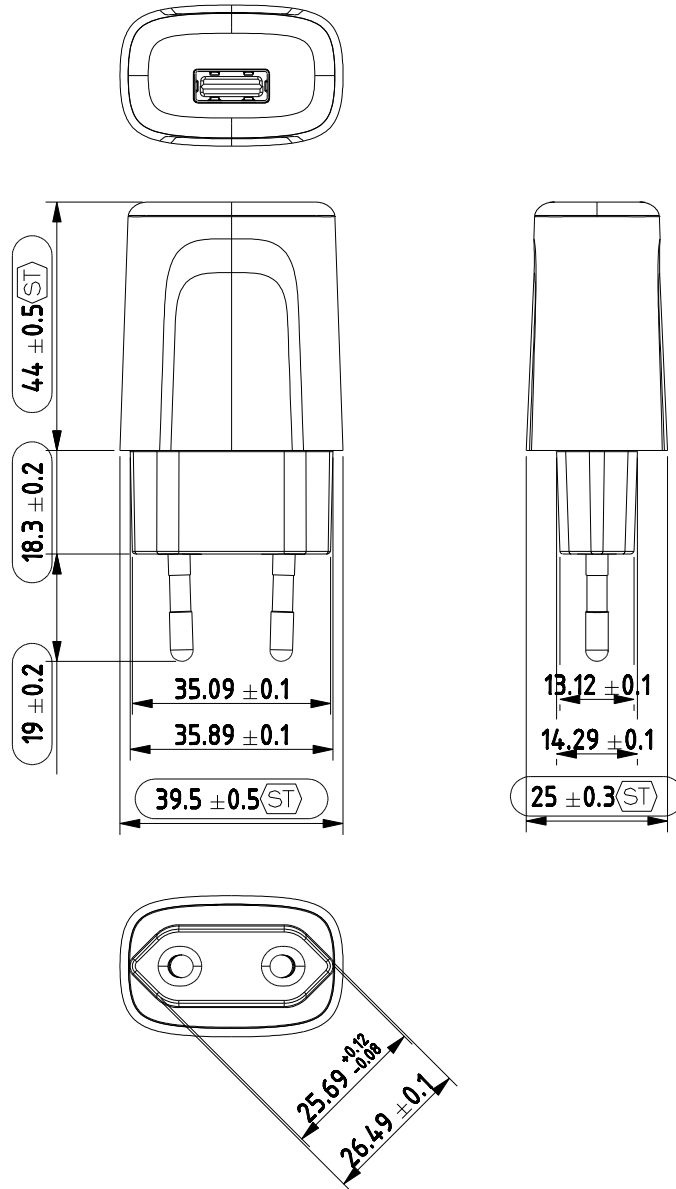
Note: All dimensions in mm.

Mechanical Drawings - DA5-050UK



Note: All dimensions in mm.

Mechanical Drawings - DA5-050EU



Note: All dimensions in mm.

WORLDWIDE OFFICES

Americas

2900 South Diablo Way
Suite B100
Tempe, AZ 85282, USA
+1 888 412 7832

Europe (UK)

Ground Floor Offices, Barberry House
4 Harbour Buildings, Waterfront West
Brierley Hill, West Midlands
DY5 1LN, UK
+44 (0) 1384 842 211

Asia (HK)

14/F, Lu Plaza
2 Wing Yip Street
Kwun Tong, Kowloon
Hong Kong
+852 2176 3333

ARTESYNTM
An Advanced Energy Company

www.artesyn.com

Artesyn Embedded Technologies, Artesyn Embedded Power, Artesyn, and all Artesyn related logos are trademarks and service marks of Artesyn Embedded Technologies, Inc. All other names and logos referred to are trade names, trademarks, or registered trademarks of their respective owners. Specifications are subject to change without notice. © 2019 Artesyn Embedded Technologies, Inc. All rights reserved. For full legal terms and conditions, please visit www.artesyn.com/legal.

For more information: www.artesyn.com
For support: productsupport.ep@artesyn.com