



111841-X

.5MM 8 AND 10 PIN MSOP TO .3 DIP ADAPTERS

FEATURES:

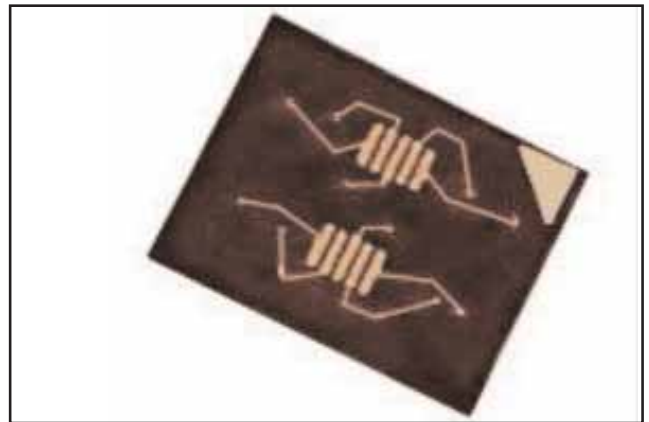
- A cost effective means of upgrading to MSOP .5MM package SOIC... without changing your PCB layout.
- Available on .300 [7.62] centers.

SPECIFICATIONS:

- Board Material is .062 thick FR-4 with 1 oz. Copper traces, both sides.
- Pins are Brass Alloy 360 1/2 hard per UNS C36000 ASTM-B16085
- Pin plating is 200µ [5.08µm] min. Tin per MIL-T-10727 Type 1 or Tin/Lead 90/10 MIL-P-81728 over 100µ [2.54µm] Nickel per QQ-N-290.
- Operating temperature = 221°F [105°C]

MOUNTING CONSIDERATIONS:

- Suggested PCB hole size = .028 ± .003 [.71 ± .08].dia.



Note: Aries specializes in custom design and production. In addition to the standard products shown on this page, special materials, platings, sizes, and configurations can be furnished, depending on quantities. Aries reserves the right to change product specifications without notice.

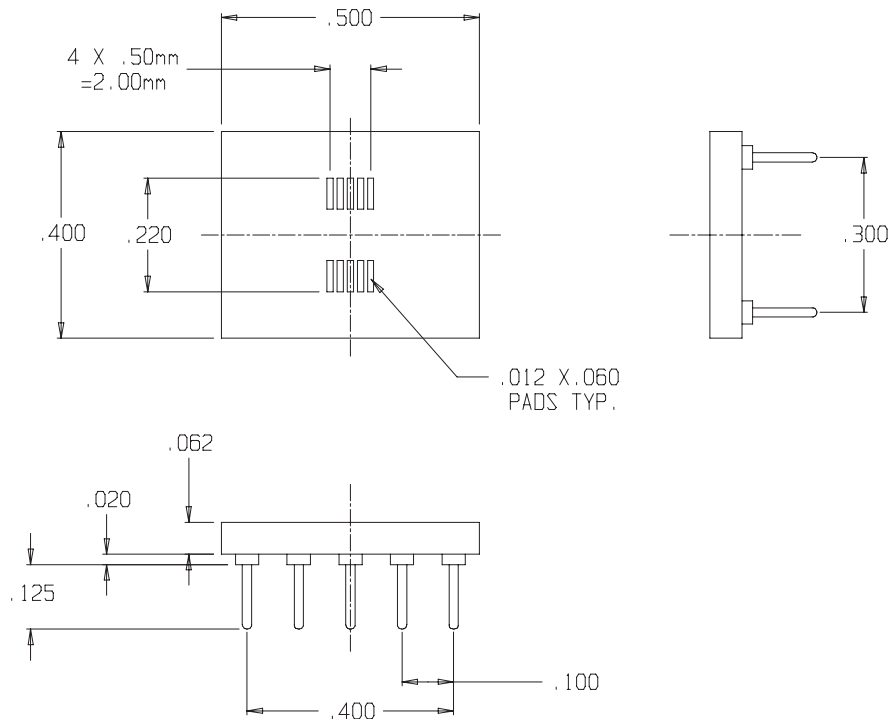
ALL DIMENSIONS: INCHES [MILLIMETERS]

All tolerances ±.005 [.13]
unless otherwise specified

ORDERING INFORMATION

111841 = 10 Pin

111841-8 = 8 Pin



ARIES[®]
ELECTRONICS, INC.
<http://www.arieselec.com> • info@arieselec.com

NORTH AMERICA
Frenchtown, NJ USA
TEL: (908) 996-6841
FAX: (908) 996-3891



EUROPE
TEL: +44 870 240 0249
FAX: +44 871 919 6033 18067
europe@arieselec.com REV. B