

WIDEBAND VCO w/ BUFFER AMPLIFIER MODULE, 4 - 8 GHz

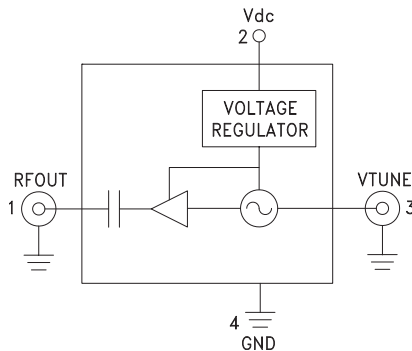


Typical Applications

The HMC-C028 VCO Module is ideal for:

- Industrial/Medical Equipment
- Test & Measurement Equipment
- Military Radar, EW & ECM
- Lab Instrumentation

Functional Diagram



Features

- Wide Tuning Bandwidth
- High Output Power: +20 dBm
- Low SSB Phase Noise: -95 dBc/Hz @100 kHz
- No External Resonator Needed
- Single Positive Supply: +8 to +15V @ 185 mA
- RoHS Compliant Hermetically Sealed Module
- Field Replaceable SMA Connectors
- 40°C to +85°C Operating Temperature

General Description

The HMC-C028 is a wideband GaAs InGaP Voltage Controlled Oscillator which incorporates the resonator, negative resistance device, and varactor diode. An internal voltage regulator provides excellent 0.2 MHz/V frequency pushing while the output buffer amplifier boosts output power to +20 dBm; which is enough to drive one or two mixers. Phase noise performance is excellent over temperature due to the oscillator's monolithic construction. The Vtune port accepts an analog tuning voltage from 0 to +18V. The HMC-C028 VCO operates from a single +8V to +15V supply, and is housed in a hermetically sealed module. This wideband VCO uniquely combines the attributes of small size, low phase noise, wide tuning range and high output power.

Electrical Specifications, $T_A = +25^\circ\text{C}$, $V_{dc} = +12\text{V}$

Parameter	Min.	Typ.	Max.	Min.	Typ.	Max.	Units
Frequency Range		4.0 - 8.0		5.0 - 8.0			GHz
Power Output	13	15		17	20		dBm
SSB Phase Noise @ 100 kHz Offset		-95			-95		dBc/Hz
SSB Phase Noise @ 10 kHz Offset		-75			-75		dBc/Hz
Tune Voltage (Vtune)	0		18	3		18	V
Supply Current (I _{dc}) (V _{dc} = +12V)		185			185		mA
Tune Port Leakage Current (Vtune = +15V)			10			10	μA
Output Return Loss		15			15		dB
2nd Harmonic		-10			-10		dBc
Pulling (into a 2.0:1 VSWR)		1			1		MHz pp
Pushing @ Vtune = +5V		0.2			0.2		MHz/V
Frequency Drift Rate		0.8			0.8		MHz/°C

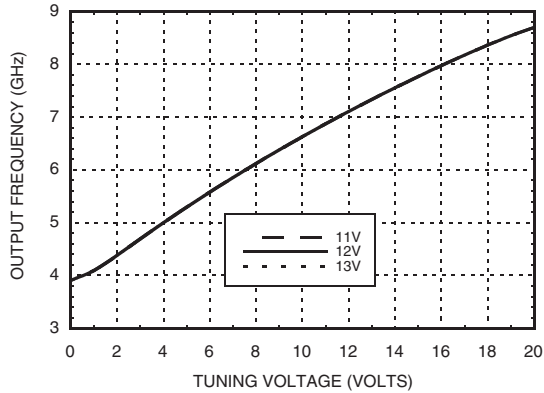
Information furnished by Analog Devices is believed to be accurate and reliable. However, no responsibility is assumed by Analog Devices for its use, nor for any infringements of patents or other rights of third parties that may result from its use. Specifications subject to change without notice. No license is granted by implication or otherwise under any patent or patent rights of Analog Devices. Trademarks and registered trademarks are the property of their respective owners.

For price, delivery, and to place orders: Analog Devices, Inc., One Technology Way, P.O. Box 9106, Norwood, MA 02062-9106 Phone: 781-329-4700 • Order online at www.analog.com Application Support: Phone: 1-800-ANALOG-D

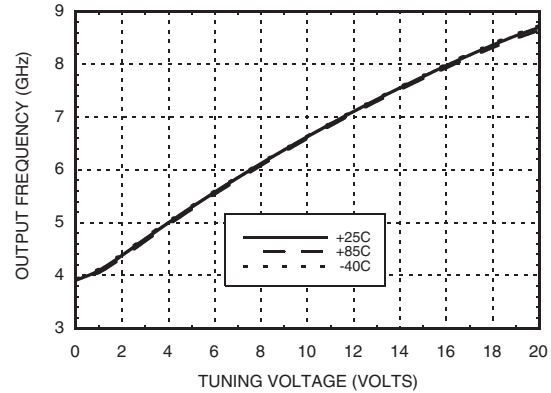
v0\$Z' +#(

**WIDEBAND VCO w/ BUFFER
AMPLIFIER MODULE, 4 - 8 GHz**

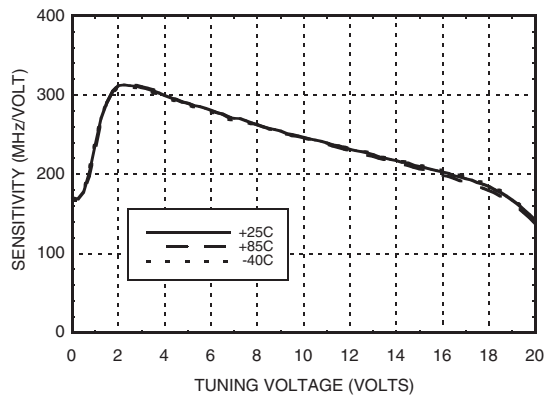
Frequency vs. Tuning Voltage, Vdc = +12V



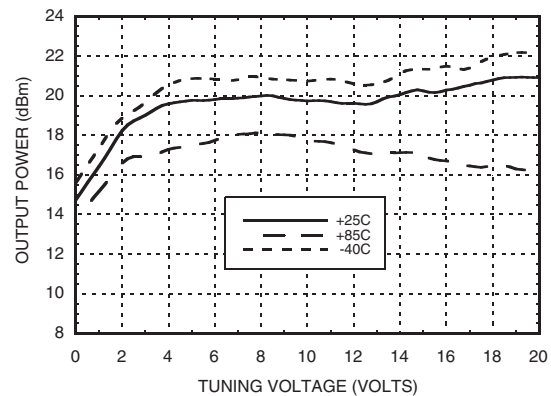
Frequency vs. Tuning Voltage, T = +25°C



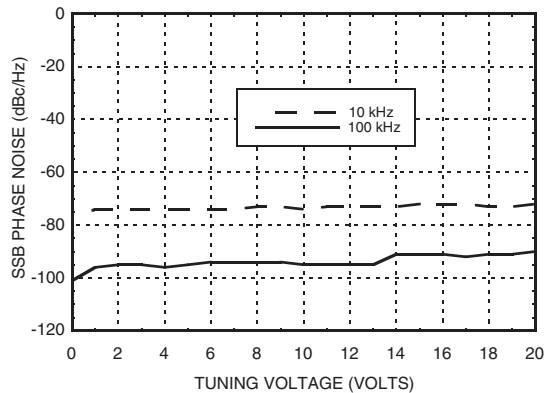
Sensitivity vs. Tuning Voltage, Vcc = +12V



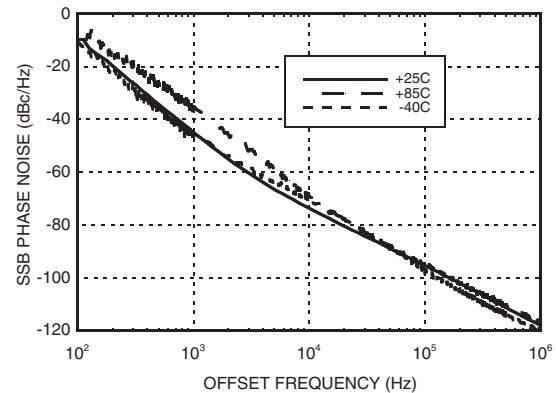
Output Power vs. Tuning Voltage, Vcc = +12V



SSB Phase Noise vs. Tuning Voltage

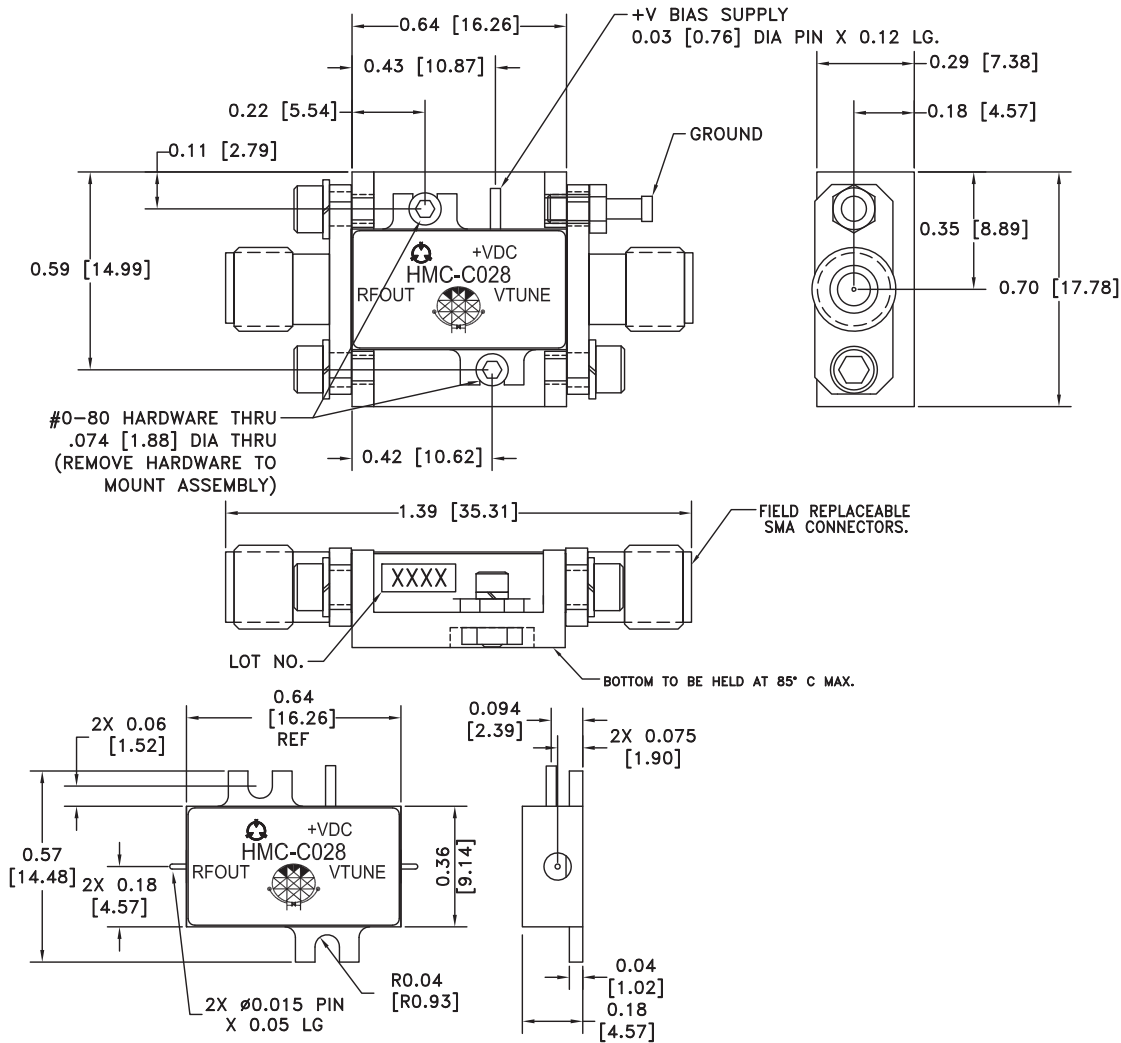


Typical SSB Phase Noise @ Vtune = +12V



**WIDEBAND VCO w/ BUFFER
AMPLIFIER MODULE, 4 - 8 GHz**

Outline Drawing



Package Information

Package Type	C-1
Package Weight ^[1]	10.2 gms ^[2]
Spacer Weight	N/A

[1] Includes the connectors

[2] ±1 gms Tolerance

NOTES:

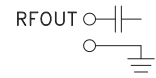
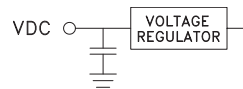
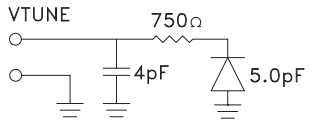
1. PACKAGE, LEADS, COVER MATERIAL: KOVAR™
2. BRACKET MATERIAL: ALUMINUM.
3. PLATING: ELECTROLYTIC GOLD 50 MICROINCHES MIN., OVER ELECTROLYTIC NICKEL 75 MICROINCHES MIN.
4. ALL DIMENSIONS ARE IN INCHES [MILLIMETERS].
5. TOLERANCES: ±.010 [0.25] UNLESS OTHERWISE SPECIFIED.
6. MARK LOT NUMBER ON LABEL WHERE SHOWN, WITH .030" MIN TEXT HEIGHT.

WIDEBAND VCO w/ BUFFER AMPLIFIER MODULE, 4 - 8 GHz

Absolute Maximum Ratings

Vdc	-0.3 Vdc to +25 Vdc
Vtune	0 to +22V
Storage Temperature	-65 to +150 °C
Operating Temperature	-40 to +85 °C

Pin Descriptions

Pin Number	Function	Description	Interface Schematic
1	RFOUT	RF output (AC coupled) uses a female SMA connector.	
2	Vdc	Supply Voltage Vdc = +8V to +15V.	
3	VTUNE	Control Voltage and Modulation Input uses a female SMA connector. Modulation bandwidth dependent on drive source impedance. See "Determining the FM Bandwidth of a Wideband Varactor Tuned VCO" application note.	
4	GND	Must be connected to power supply ground.	