

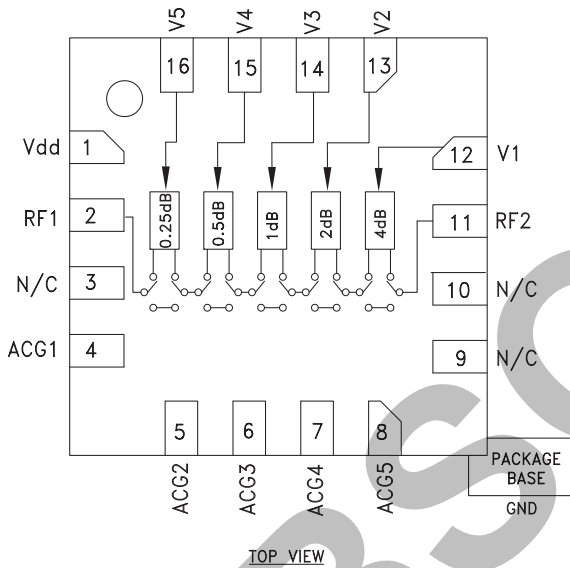


Typical Applications

The HMC539LP3 / HMC539LP3E is ideal for both RF and IF applications:

- Cellular Infrastructure
- ISM, MMDS, WLAN, WiMAX, WiBro
- Microwave Radio & VSAT
- Test Equipment and Sensors

Functional Diagram



Features

- 0.25 dB LSB Steps to 7.75 dB
- ± 0.05 dB Typical Step Error
- Low Insertion Loss: 0.7 dB
- High IP3: +50 dBm
- Single Control Line Per Bit
- TTL/CMOS Compatible Control
- Single +5V Supply
- 3x3 mm SMT Package

General Description

The HMC539LP3 & HMC539LP3E are broadband 5-bit GaAs IC digital attenuators in low cost lead-less surface mount packages. This single positive control line per bit digital attenuator utilizes an off chip AC ground capacitor for near DC operation, making it suitable for a wide variety of RF and IF applications. Covering DC to 4 GHz, the insertion loss is less than 0.7 dB typical. The attenuator bit values are 0.25 (LSB), 0.5, 1, 2, and 4 dB for a total attenuation of 7.75 dB. Attenuation accuracy is excellent at ± 0.05 dB typical step error. The attenuator also features a high IIP3 of +50 dBm. Five TTL/CMOS control inputs are used to select each attenuation state. A single Vdd bias of +5V is required.

Electrical Specifications,

$T_a = +25^\circ \text{C}$, With $V_{dd} = +5\text{V}$ & $V_{ctl} = 0/+5\text{V}$ (Unless Otherwise Noted)

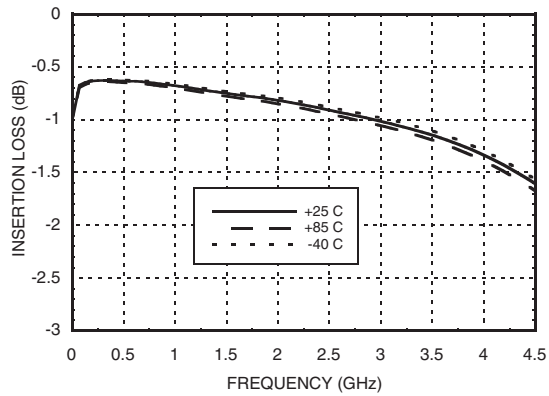
| Parameter | Frequency (GHz) | Min. | Typ. | Max. | Units |
|---|---|-------------------------------------|------|------|-------|
| Insertion Loss | DC - 1.5 GHz | | 0.7 | 1.0 | dB |
| | 1.5 - 3.0 GHz | | 1.0 | 1.3 | dB |
| | 3.0 - 4.0 GHz | | 1.3 | 1.7 | dB |
| Attenuation Range | DC - 4 GHz | | 7.75 | | dB |
| Return Loss (RF1 & RF2, All Atten. States) | DC - 3 GHz | | 25 | | dB |
| | 3.0 - 4.0 GHz | | 20 | | dB |
| Attenuation Accuracy: (Referenced to Insertion Loss) | All States DC - 3 GHz 3.0 - 4.0 GHz | ± (0.2 + 2% of Atten. Setting) Max. | | | dB |
| | | ± (0.2 + 4% of Atten. Setting) Max. | | | dB |
| Input Power for 0.1 dB Compression | 0.1 - 4.0 GHz | | 28 | | dBm |
| Input Third Order Intercept Point (Two-Tone Input Power = 0 dBm Each Tone) | 0.1 - 4.0 GHz | | 50 | | dBm |
| Switching Characteristics | DC - 4 GHz | | | | |
| | | tRISE, tFALL (10/90% RF) | | 48 | ns |
| | | tON, tOFF (50% CTL to 10/90% RF) | | 52 | ns |

For price, delivery, and to place orders, please contact Hittite Microwave Corporation:
 20 Alpha Road, Chelmsford, MA 01824 Phone: 978-250-3343 Fax: 978-250-3373
 Order On-line at www.hittite.com

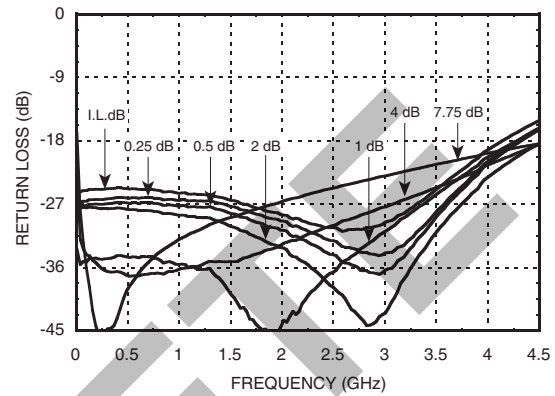


0.25 dB LSB GaAs MMIC 5-BIT DIGITAL POSITIVE CONTROL ATTENUATOR, DC - 4 GHz

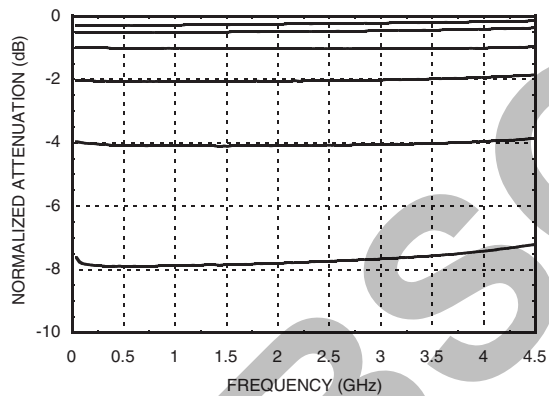
Insertion Loss



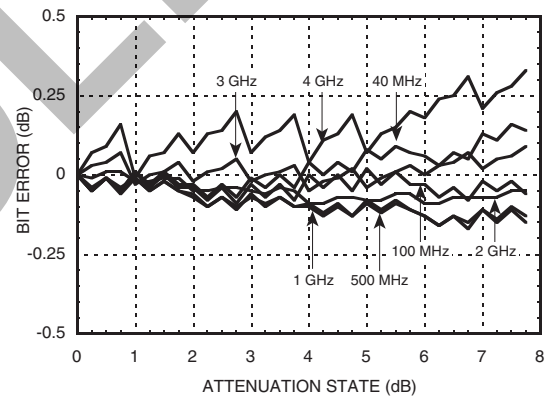
Return Loss RF1, RF2
(Only Major States are Shown)



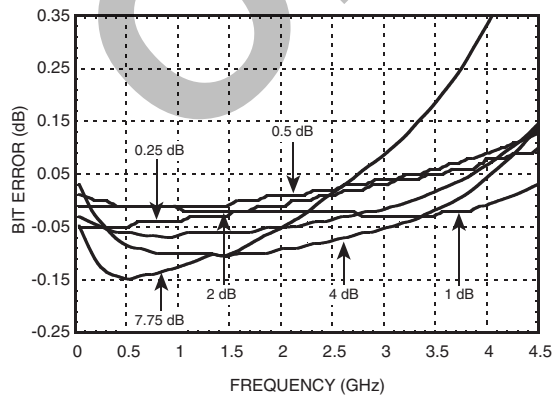
Normalized Attenuation
(Only Major States are Shown)



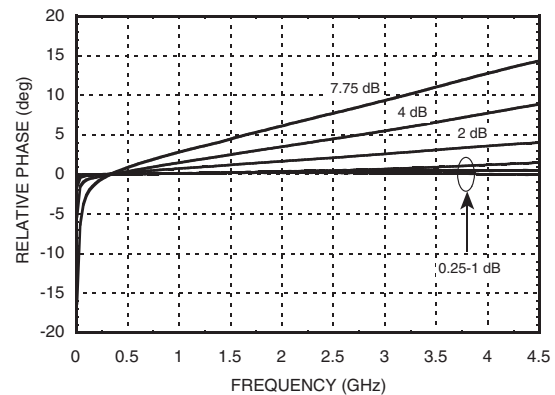
Bit Error vs. Attenuation State



Bit Error vs. Frequency
(Only Major States are Shown)



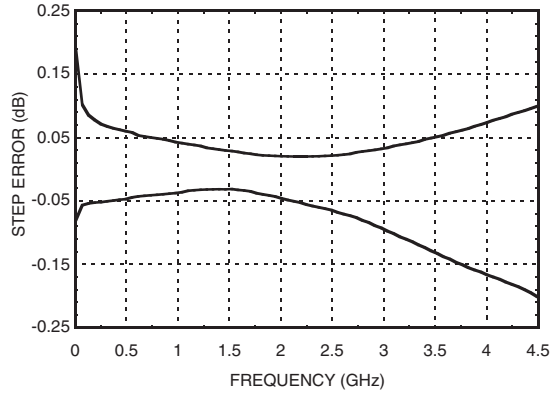
Relative Phase vs. Frequency
(Only Major States are Shown)



For price, delivery, and to place orders, please contact Hittite Microwave Corporation:
20 Alpha Road, Chelmsford, MA 01824 Phone: 978-250-3343 Fax: 978-250-3373
Order On-line at www.hittite.com



Worst Case Step Error Between Successive Attenuation States



Bias Voltage & Current

| Vdd = +5.0 Vdc ± 10% | |
|----------------------|-----------------|
| Vdd (VDC) | Idd (Typ.) (mA) |
| +4.5 | 3.3 |
| +5.0 | 3.5 |
| +5.5 | 3.7 |

Control Voltage

| State | Bias Condition |
|-------|--------------------------------|
| Low | 0 to +0.8V @ -5 uA Typ. |
| High | +2.0 to + 5.0 Vdc @ 30 uA Typ. |

Note: Vdd = +5V

Truth Table

| Control Voltage Input | | | | | Attenuation State RF1 - RF2 |
|-----------------------|------------|------------|--------------|---------------|--------------------------------|
| V1 4 dB | V2 2 dB | V3 1 dB | V4 0.5 dB | V5 0.25 dB | |
| High | High | High | High | High | Reference I.L. |
| High | High | High | High | Low | 0.25 dB |
| High | High | High | Low | High | 0.5 dB |
| High | High | Low | High | High | 1 dB |
| High | Low | High | High | High | 2 dB |
| Low | High | High | High | High | 4 dB |
| Low | Low | Low | Low | Low | 7.75 dB |

Any combination of the above states will provide an attenuation approximately equal to the sum of the bits selected.

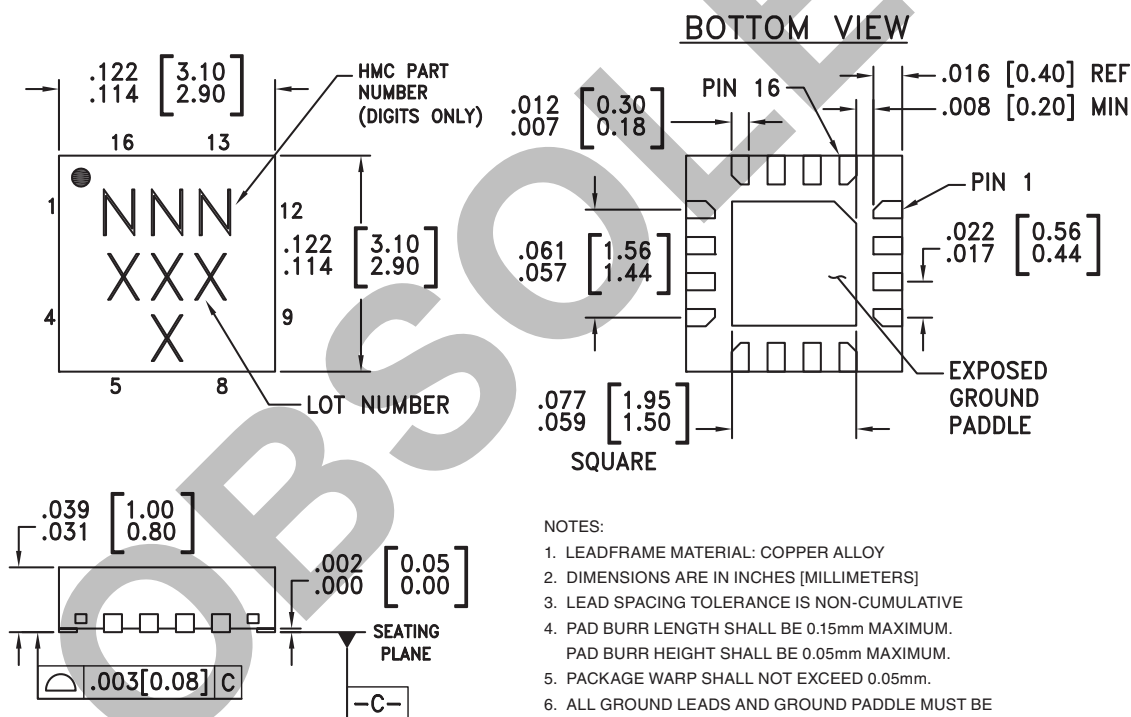
Absolute Maximum Ratings

| | |
|---|----------------------|
| RF Input Power (DC - 4 GHz) | +29 dBm (T = +85 °C) |
| Control Voltage Range (V1 to V5) | -1V to Vdd +1V |
| Bias Voltage (Vdd) | +7.0 Vdc |
| Channel Temperature | 150 °C |
| Continuous P _{diss} (T = 85 °C) (derate 12.0 mW/°C above 85 °C) | 0.781 W |
| Thermal Resistance | 83 °C/W |
| Storage Temperature | -65 to +150 °C |
| Operating Temperature | -40 to +85 °C |
| ESD Sensitivity (HBM) | Class 1A |



ELECTROSTATIC SENSITIVE DEVICE
OBSERVE HANDLING PRECAUTIONS

Outline Drawing



NOTES:

- LEADFRAME MATERIAL: COPPER ALLOY
- DIMENSIONS ARE IN INCHES [MILLIMETERS]
- LEAD SPACING TOLERANCE IS NON-CUMULATIVE
- PAD BURR LENGTH SHALL BE 0.15mm MAXIMUM. PAD BURR HEIGHT SHALL BE 0.05mm MAXIMUM.
- PACKAGE WARP SHALL NOT EXCEED 0.05mm.
- ALL GROUND LEADS AND GROUND PADDLE MUST BE SOLDERED TO PCB RF GROUND.
- REFER TO HITTITE APPLICATION NOTE FOR SUGGESTED LAND PATTERN.

Package Information

| Part Number | Package Body Material | Lead Finish | MSL Rating | Package Marking ^[3] |
|-------------|--|---------------|---------------------|--------------------------------|
| HMC539LP3 | Low Stress Injection Molded Plastic | Sn/Pb Solder | MSL1 ^[1] | 539 XXXX |
| HMC539LP3E | RoHS-compliant Low Stress Injection Molded Plastic | 100% matte Sn | MSL1 ^[2] | 539 XXXX |

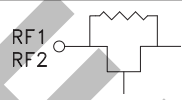
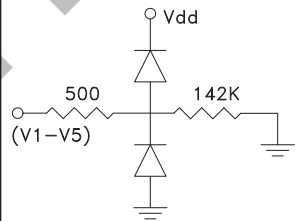

[1] Max peak reflow temperature of 235 °C

[2] Max peak reflow temperature of 260 °C

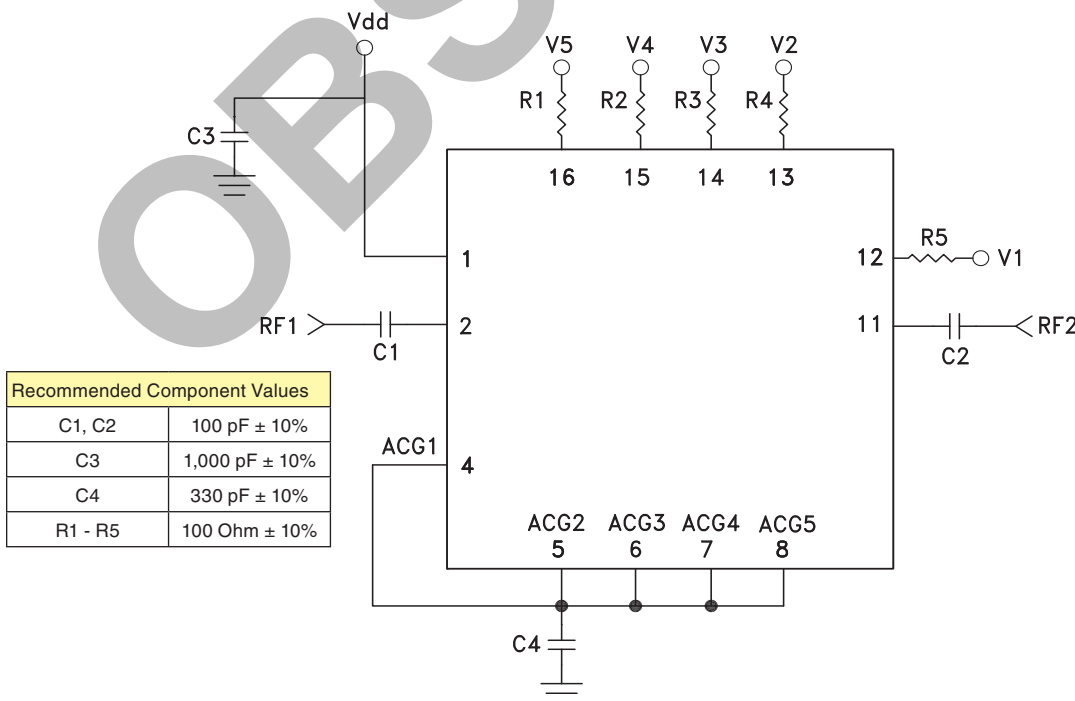
[3] 4-Digit lot number XXXX

For price, delivery, and to place orders, please contact Hittite Microwave Corporation:
20 Alpha Road, Chelmsford, MA 01824 Phone: 978-250-3343 Fax: 978-250-3373
Order On-line at www.hittite.com

Pin Descriptions

| Pin Number | Function | Description | Interface Schematic |
|------------|-------------|---|---|
| 1 | Vdd | Supply Voltage. | |
| 2, 11 | RF1, RF2 | This pin is DC coupled and matched to 50 Ohm. Blocking capacitors are required. Select value based on lowest frequency of operation. |  |
| 3, 9, 10 | N/C | These pins should be connected to PCB RF ground to maximize performance. | |
| 4 - 8 | ACG1 - ACG5 | External capacitor to ground is required. Select value for lowest frequency of operation. Place capacitor as close to pins as possible. | |
| 12 - 16 | V1 - V5 | See truth table and control voltage table. |  |
| | GND | Package bottom has an exposed metal paddle that must be connected to RF Ground. |  |

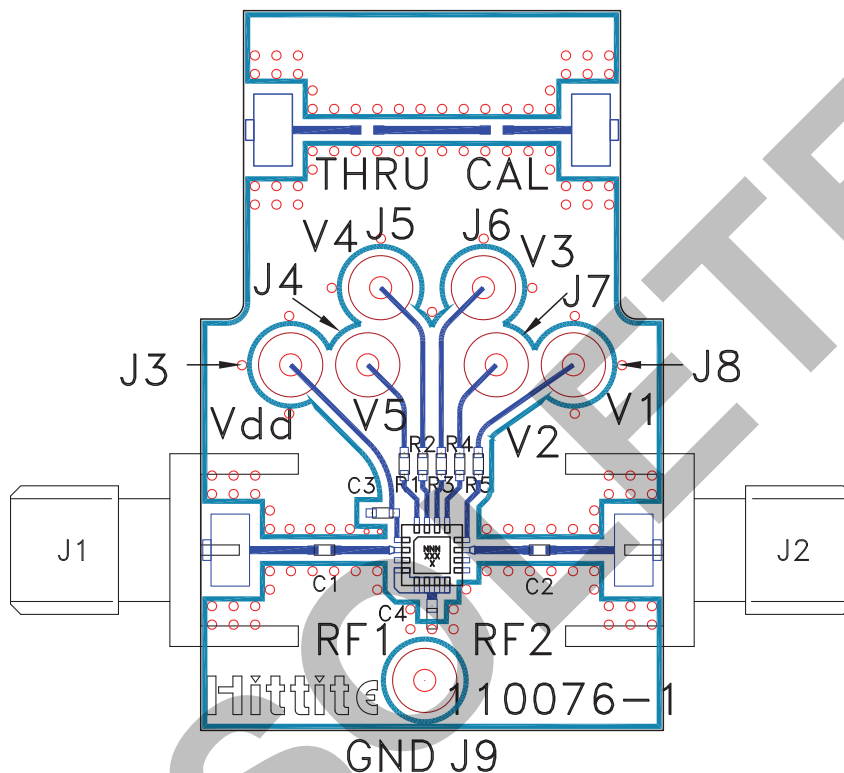
Application Circuit



For price, delivery, and to place orders, please contact Hittite Microwave Corporation:
 20 Alpha Road, Chelmsford, MA 01824 Phone: 978-250-3343 Fax: 978-250-3373
 Order On-line at www.hittite.com



Evaluation PCB



List of Materials for Evaluation PCB 110078 [1]

| Item | Description |
|---------|---|
| J1 - J2 | PCB Mount SMA Connector |
| J3 - J9 | DC Pin |
| C1, C2 | 100 pF Capacitor, 0402 Pkg. |
| C3 | 1000 pF Capacitor, 0402 Pkg. |
| C4 | 330 pF Capacitor, 0402 Pkg. |
| R1 - R5 | 100 Ohm Resistor 0402 |
| U1 | HMC539LP3 / HMC539LP3E Digital Attenuator |
| PCB [2] | 110076 Evaluation PCB |

[1] Reference this number when ordering complete evaluation PCB

[2] Circuit Board Material: Rogers 4350

The circuit board used in the final application should use RF circuit design techniques. Signal lines should have 50 ohm impedance while the package ground leads and exposed paddle should be connected directly to the ground plane similar to that shown. A sufficient number of via holes should be used to connect the top and bottom ground planes. The evaluation circuit board shown is available from Hittite upon request.