



1.0 dB LSB GaAs MMIC 5-BIT DIGITAL ATTENUATOR, 0.1 - 30 GHz

Typical Applications

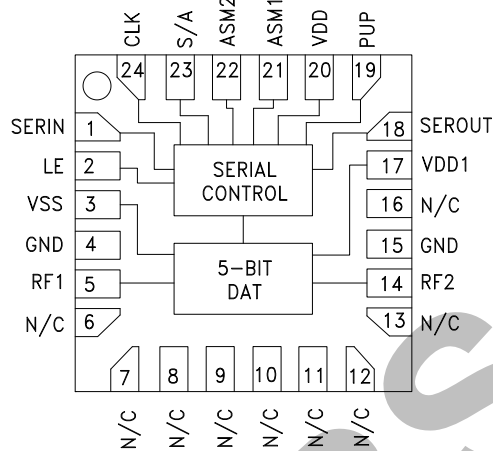
The HMC1018LP4E is ideal for:

- Fiber Optics & Broadband Telecom
- Microwave Radio & VSAT
- Military Radios, Radar & ECM
- Space Applications
- Sensors
- Test & Measurement Equipment

Features

- 1.0 dB LSB Steps to 31 dB
- TTL/CMOS Compatible, Serial Control
- Unique Asynchronous Mode Control Allows Immediate Attenuation Level Setting
- ±1.0 dB Typical Bit Error
- High Input IP3: +43 dBm
- 24 Lead 4x4mm SMT Package: 16mm²

Functional Diagram



General Description

The HMC1018LP4E is a broadband 5-bit GaAs IC digital attenuator in a low cost leadless surface mount package. Covering 0.1 to 30.0 GHz, the insertion loss is less than 5.5 dB typical. The attenuator bit values are 1.0 (LSB), 2, 4, 8, 16 for a total attenuation of 31 dB. Attenuation accuracy is excellent at ±0.4 dB typical step error with an IIP3 of +43 dBm. The control interface is CMOS/TTL compatible and accepts a three wire serial input. The HMC1018LP4E features a user selectable power up state and a serial-output port for cascading other Hittite serial controlled components.

Electrical Specifications, $T_A = +25^\circ C$, With $V_{dd} = V_{dd1} = +5V$, $V_{ss} = -5V$

| Parameter | Frequency (GHz) | Min. | Typ. | Max. | Units |
|---|--------------------|---------------------------------|------------------------------------|------|-------|
| Insertion Loss | 0.1 - 18.0 GHz | | 4.5 | 6.0 | dB |
| | 18.0 - 26.5 GHz | | 5.5 | 7.0 | dB |
| | 26.5 - 30.0 GHz | | 7.0 | 8.0 | dB |
| Attenuation Range | 0.1 - 30.0 GHz | | 31 | | dB |
| Return Loss (RF1 & RF2, All Atten. States) | 0.1 - 30.0 GHz | | 12 | | dB |
| Attenuation Accuracy: (Referenced to Insertion Loss) | 1.0 - 15 dB States | 0.1 - 33.0 GHz | ± (0.5 + 5%) of Atten. Setting Max | | dB |
| | 16 - 31 dB States | 0.1 - 20.0 GHz | ± (0.5 + 5%) of Atten. Setting Max | | dB |
| | 16 - 31 dB States | 20.0 - 33.0 GHz | ± (0.6 + 8%) of Atten. Setting Max | | dB |
| Input Power for 0.1 dB Compression | 0.1 - 0.5 GHz | | 20 | | dBm |
| | 0.5 - 30.0 GHz | | 25 | | dBm |
| Input Third Order Intercept Point (Two-Tone Input Power= 0 dBm Each Tone) | 0.1 - 0.5 GHz | | 40 | | dBm |
| | 0.5 - 30.0 GHz | | 43 | | dBm |
| Switching Characteristics | 0.1 - 30.0 GHz | tRISE, tFALL (10/90% RF) | 60 | | ns |
| | | tON/tOFF (50% CTL to 10/90% RF) | 90 | | ns |
| | | I _{dd1} | 2.5 | 4.5 | 6.5 |
| I _{ss} | 0.1 - 30.0 GHz | -7.0 | -5.0 | -3.0 | mA |

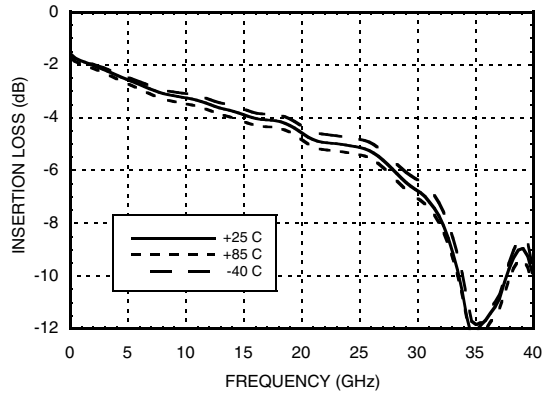
Information furnished by Analog Devices is believed to be accurate and reliable. However, no responsibility is assumed by Analog Devices for its use, nor for any infringements of patents or other rights of third parties that may result from its use. Specifications subject to change without notice. No license is granted by implication or otherwise under any patent or patent rights of Analog Devices. Trademarks and registered trademarks are the property of their respective owners.

For price, delivery, and to place orders: Analog Devices, Inc., One Technology Way, P.O. Box 9106, Norwood, MA 02062-9106 Phone: 781-329-4700 • Order online at www.analog.com Application Support: Phone: 1-800-ANALOG-D

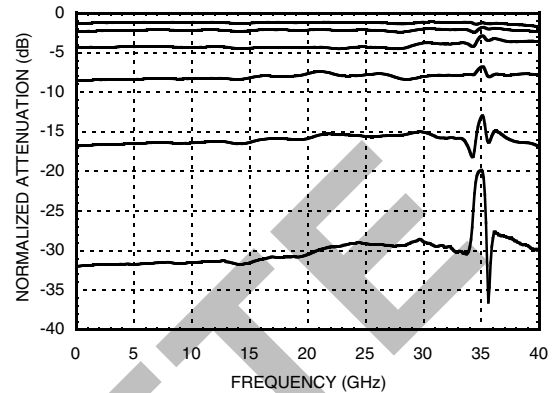


1.0 dB LSB GaAs MMIC 5-BIT DIGITAL ATTENUATOR, 0.1 - 30 GHz

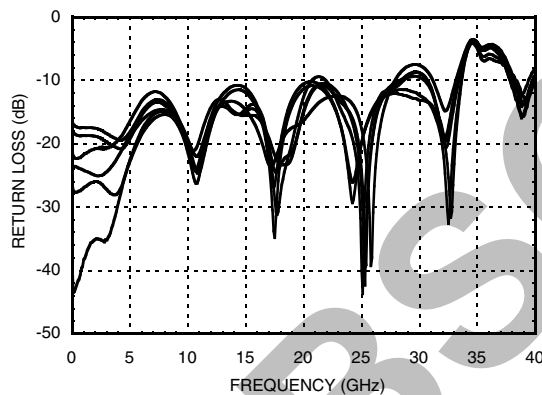
Insertion Loss vs. Temperature



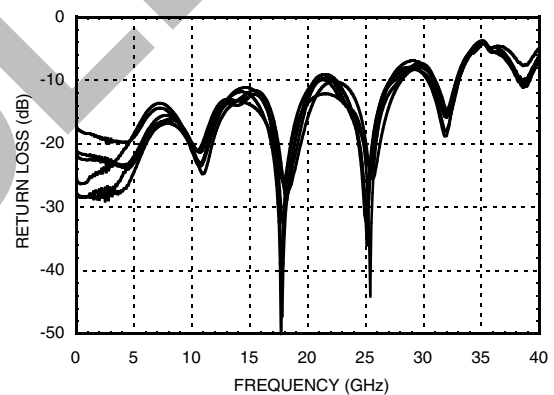
Normalized Attenuation
(Only Major States are Shown)



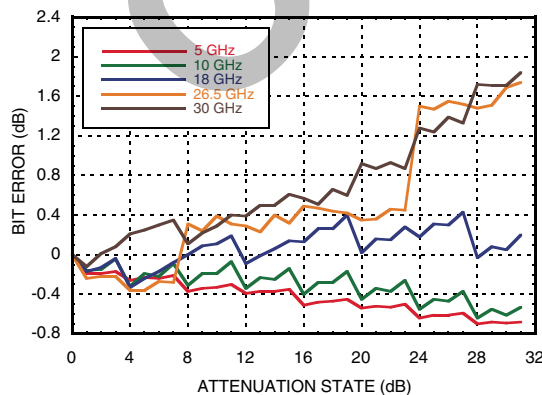
Input Return Loss
(Only Major States are Shown)



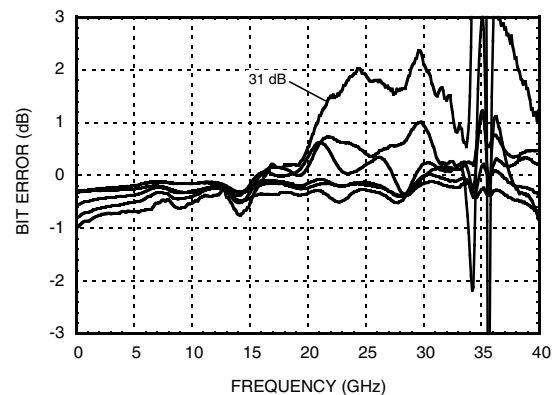
Output Return Loss
(Only Major States are Shown)



Bit Error vs. Attenuation State



Bit Error vs. Frequency
(Only Major States are Shown)

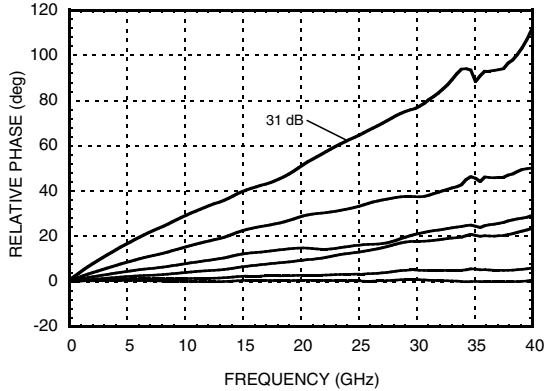


Information furnished by Analog Devices is believed to be accurate and reliable. However, no responsibility is assumed by Analog Devices for its use, nor for any infringements of patents or other rights of third parties that may result from its use. Specifications subject to change without notice. No license is granted by implication or otherwise under any patent or patent rights of Analog Devices. Trademarks and registered trademarks are the property of their respective owners.

For price, delivery, and to place orders: Analog Devices, Inc., One Technology Way, P.O. Box 9106, Norwood, MA 02062-9106 Phone: 781-329-4700 • Order online at www.analog.com Application Support: Phone: 1-800-ANALOG-D

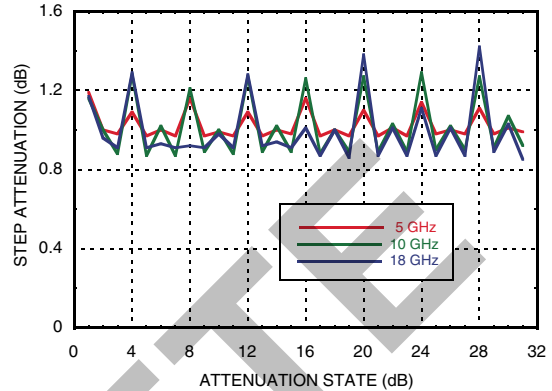


Relative Phase vs. Frequency
(Only Major States are Shown)

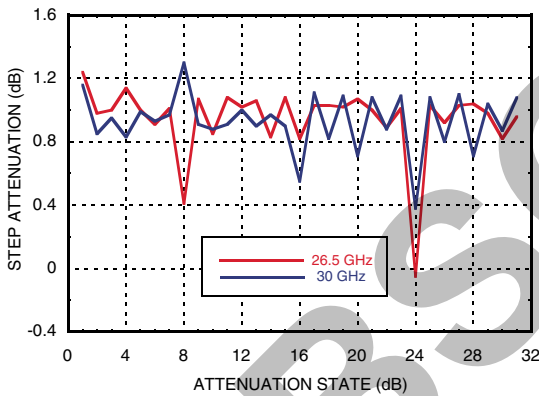


1.0 dB LSB GaAs MMIC 5-BIT DIGITAL ATTENUATOR, 0.1 - 30 GHz

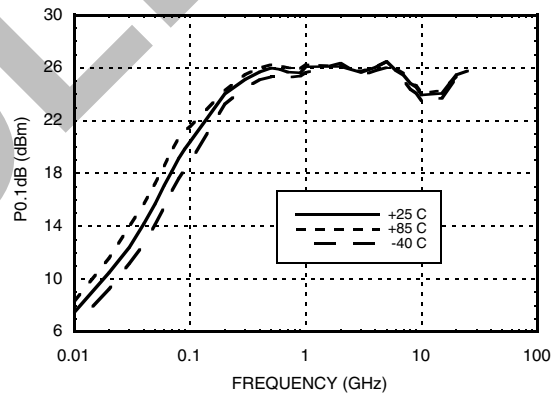
Step Attenuation vs. Attenuation State
0.1 - 18 GHz



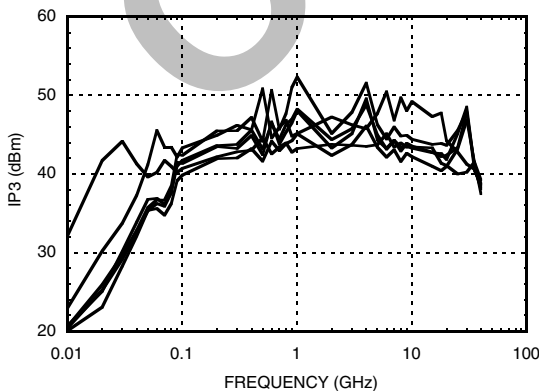
Step Attenuation vs. Attenuation State
18 - 30 GHz



Input Power for 0.1 dB Compression

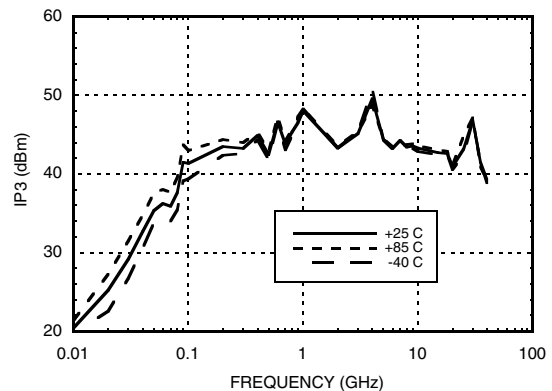


Input IP3 Over Major Attenuation States



Input IP3 vs. Temperature

(Minimum Attenuation State)



Information furnished by Analog Devices is believed to be accurate and reliable. However, no responsibility is assumed by Analog Devices for its use, nor for any infringements of patents or other rights of third parties that may result from its use. Specifications subject to change without notice. No license is granted by implication or otherwise under any patent or patent rights of Analog Devices. Trademarks and registered trademarks are the property of their respective owners.

For price, delivery, and to place orders: Analog Devices, Inc., One Technology Way, P.O. Box 9106, Norwood, MA 02062-9106 Phone: 781-329-4700 • Order online at www.analog.com Application Support: Phone: 1-800-ANALOG-D

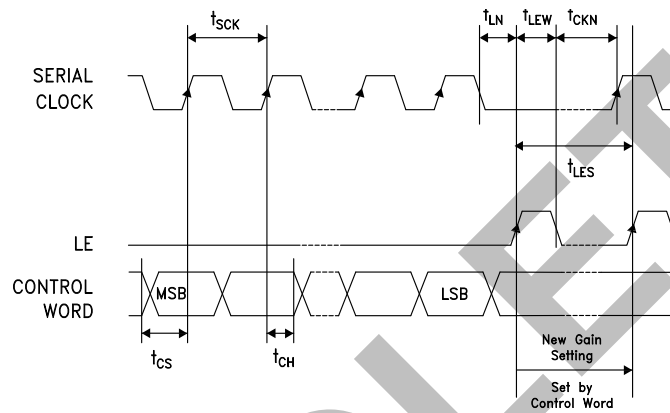


Serial Control Interface

1.0 dB LSB GaAs MMIC 5-BIT DIGITAL ATTENUATOR, 0.1 - 30 GHz

The HMC1018LP4E contains a 3-wire SPI compatible digital interface (SERIN, CLK, LE). The serial control interface is activated when S/A is kept high. The 5-bit serial word must be loaded MSB first as a 6-bit word with the first bit ignored. The positive-edge sensitive CLK and LE requires clean transitions. If mechanical switches are used, sufficient debouncing should be provided. When LE is high, 5-bit data in the serial input register is transferred to the attenuator. When LE is high CLK is masked to prevent data transition during output loading.

For all modes of operations, the state will stay constant while LE is kept low.



Serial Mode Truth Table

| Control Voltage Input | | | | | Attenuation State |
|-----------------------|------|------|------|------|-------------------|
| P4 | P3 | P2 | P1 | P0 | RF1 - RF2 |
| 16 dB | 8 dB | 4 dB | 2 dB | 1 dB | Reference I.L. |
| High | High | High | High | High | Reference I.L. |
| High | High | High | High | Low | 1 dB |
| High | High | High | Low | High | 2 dB |
| High | High | Low | High | High | 4 dB |
| High | Low | High | High | High | 8 dB |
| Low | High | High | High | High | 16 dB |
| Low | Low | Low | Low | Low | 31 dB |

Any combination of the above states will provide an attenuation approximately equal to the sum of the bits selected.

| Parameter | Typ. |
|---|--------|
| Min. serial period, t_{sck} | 100 ns |
| Control set-up time, t_{cs} | 20 ns |
| Control hold-time, t_{ch} | 20 ns |
| LE setup-time, t_{LN} | 10 ns |
| Min. LE pulse width, t_{LEW} | 10 ns |
| Min LE pulse spacing, t_{LES} | 630 ns |
| Serial clock hold-time from LE, t_{CKN} | 10 ns |
| Hold Time, t_{PH} | 0 ns |
| Latch Enable Minimum Width, t_{LEN} | 10 ns |
| Setup Time, t_{ps} | 2 ns |

Asynchronous Mode

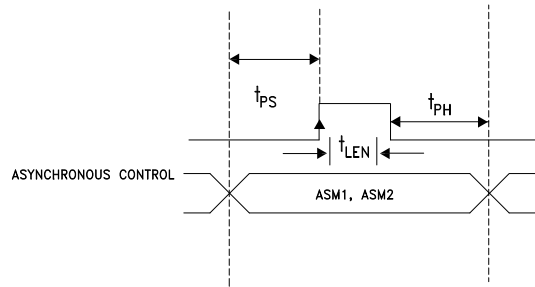
The HMC1018LP4E can be switched to an asynchronous mode to change the attenuation state rapidly to one of four predefined states. The logic state of ASM1-ASM2 determines one of the four attenuation states in the asynchronous mode per truth table. The asynchronous mode works either directly or latched. To activate the direct-asynchronous-mode, S/A needs to be at logic low and LE needs to be at logic high. In the direct-asynchronous-mode, any change in the logic state of ASM1-ASM2 directly affects the attenuation state. In the latched-asynchronous-mode, the attenuation state changes per the asynchronous mode truth table when S/A is at logic low and LE is pulsed per the timing diagram. The attenuation stays constant (latched) as long as LE stays low. In the asynchronous mode, the inputs SERIN and CLK do not affect the attenuation state.

Information furnished by Analog Devices is believed to be accurate and reliable. However, no responsibility is assumed by Analog Devices for its use, nor for any infringements of patents or other rights of third parties that may result from its use. Specifications subject to change without notice. No license is granted by implication or otherwise under any patent or patent rights of Analog Devices. Trademarks and registered trademarks are the property of their respective owners.

For price, delivery, and to place orders: Analog Devices, Inc., One Technology Way, P.O. Box 9106, Norwood, MA 02062-9106 Phone: 781-329-4700 • Order online at www.analog.com Application Support: Phone: 1-800-ANALOG-D



Timing Diagram (Latched Asynchronous Mode)



**1.0 dB LSB GaAs MMIC 5-BIT DIGITAL
ATTENUATOR, 0.1 - 30 GHz**

Asynchronous Mode Truth Table

| ASM1 | ASM2 | Attenuation State RF1-RF2 |
|------|------|---------------------------|
| High | High | Reference I.L. |
| High | Low | 3 dB |
| Low | High | 28 dB |
| Low | Low | 31 dB |

Power-Up States

If LE is set to logic LOW at power-up, the logic state of PUP determines the power-up state of the part per PUP truth table. If the LE is set to logic HIGH at power-up, the logic state of ASM1-ASM2 determines the power-up state of the part per truth table for the asynchronous mode. The attenuator latches in the desired power-up state approximately 200 ms after power-up.

PUP Truth Table

| PUP | Attenuation State |
|------|-------------------|
| High | Reference I.L. |
| Low | 31 dB |

Note: The logic state of ASM1-ASM2 determines the power-up state of the part per truth table for the asynchronous mode when LE is high at power-up.

Bias Voltages & Currents

| | |
|------|--------------|
| Vdd | +5V @ 0.2 mA |
| Vdd1 | +5V @ 4.5 mA |
| Vss | -5V @ 5 mA |

Control Voltage

| State | Bias Condition |
|-------|-----------------------|
| Low | 0 to 0.8V @ 1 μ A |
| High | 2 to 5V @ 1 μ A |



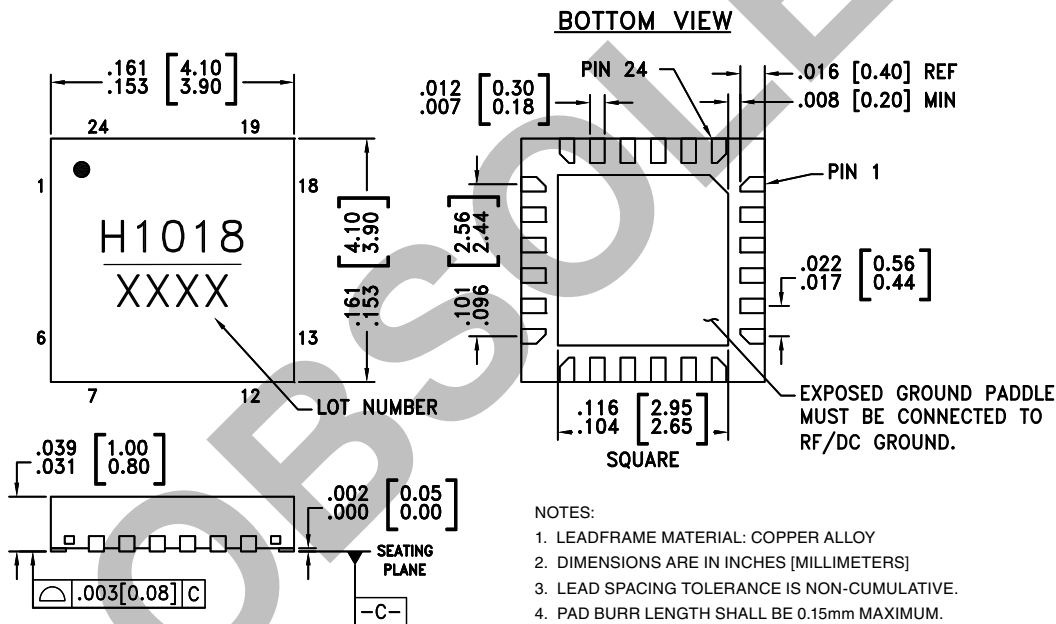
Absolute Maximum Ratings

| | |
|--|----------------|
| RF Input Power (0.1 to 30.0 GHz) | +25 dBm |
| Control Voltage (CLK, SERIN, LE, PUP, ASM1, ASM2, S/A) | Vdd + 0.5V |
| Vdd, Vdd1 | +7 Vdc |
| Vss | -7 Vdc |
| Channel Temperature | 150 °C |
| Continuous P _{diss} (T = 85 °C) (derate 6.9 mW/°C above 85 °C) | 0.451 W |
| Thermal Resistance | 144 °C/W |
| Storage Temperature | -65 to +150 °C |
| Operating Temperature | -40 to +85 °C |
| ESD Sensitivity (HBM) | Class 1A |



ELECTROSTATIC SENSITIVE DEVICE
OBSERVE HANDLING PRECAUTIONS

Outline Drawing



NOTES:

- LEADFRAME MATERIAL: COPPER ALLOY
- DIMENSIONS ARE IN INCHES [MILLIMETERS]
- LEAD SPACING TOLERANCE IS NON-CUMULATIVE.
- PAD BURR LENGTH SHALL BE 0.15mm MAXIMUM.
PAD BURR HEIGHT SHALL BE 0.05mm MAXIMUM.
- PACKAGE WARP SHALL NOT EXCEED 0.05mm.
- ALL GROUND LEADS AND GROUND PADDLE MUST BE SOLDERED TO PCB RF GROUND.
- REFER TO HITTITE APPLICATION NOTE FOR SUGGESTED LAND PATTERN.

Package Information

| Part Number | Package Body Material | Lead Finish | MSL Rating | Package Marking ^[2] |
|-------------|--|---------------|---------------------|--------------------------------|
| HMC1018LP4E | RoHS-compliant Low Stress Injection Molded Plastic | 100% matte Sn | MSL1 ^[1] | H1018 XXXX |

[1] Max peak reflow temperature of 260 °C

[2] 4-Digit lot number XXXX



1.0 dB LSB GaAs MMIC 5-BIT DIGITAL ATTENUATOR, 0.1 - 30 GHz

Pin Descriptions

| Pad Number | Function | Description | Interface Schematic |
|----------------------------|-----------------------------------|--|---------------------|
| 1 2 | SERIN LE | See truth table, control voltage table and timing diagram. | |
| 3 | Vss | Negative Bias -5V | |
| 4, 15 | GND | These pins and package bottom must be connected to RF/DC ground. | |
| 6-13, 16 | N/C | The pins are not connected internally; however, all data shown herein was measured with these pins connected to RF/DC ground externally. | |
| 5, 14 | RF1, RF2 | These pins are DC coupled and matched to 50 Ohms. Blocking capacitors are required if RF line potential is not equal to 0V. | |
| 17 | Vdd1 | Positive Bias +5V | |
| 18 | SEROUT | Serial input data delayed by 6 clock cycles. | |
| 19 21 22 23 24 | PUP ASM1 ASM2 S/A CLK | See truth table, control voltage table and timing diagram. | |
| 20 | Vdd | Serial Controller Bias +5V | |

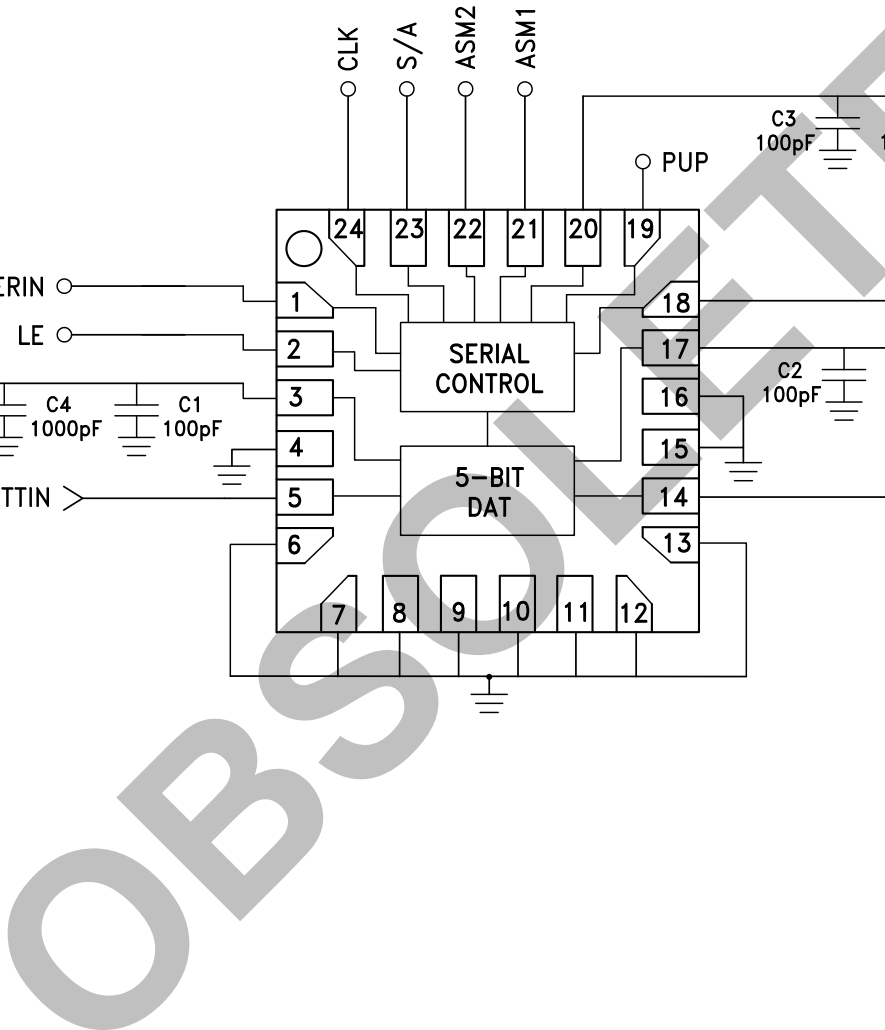
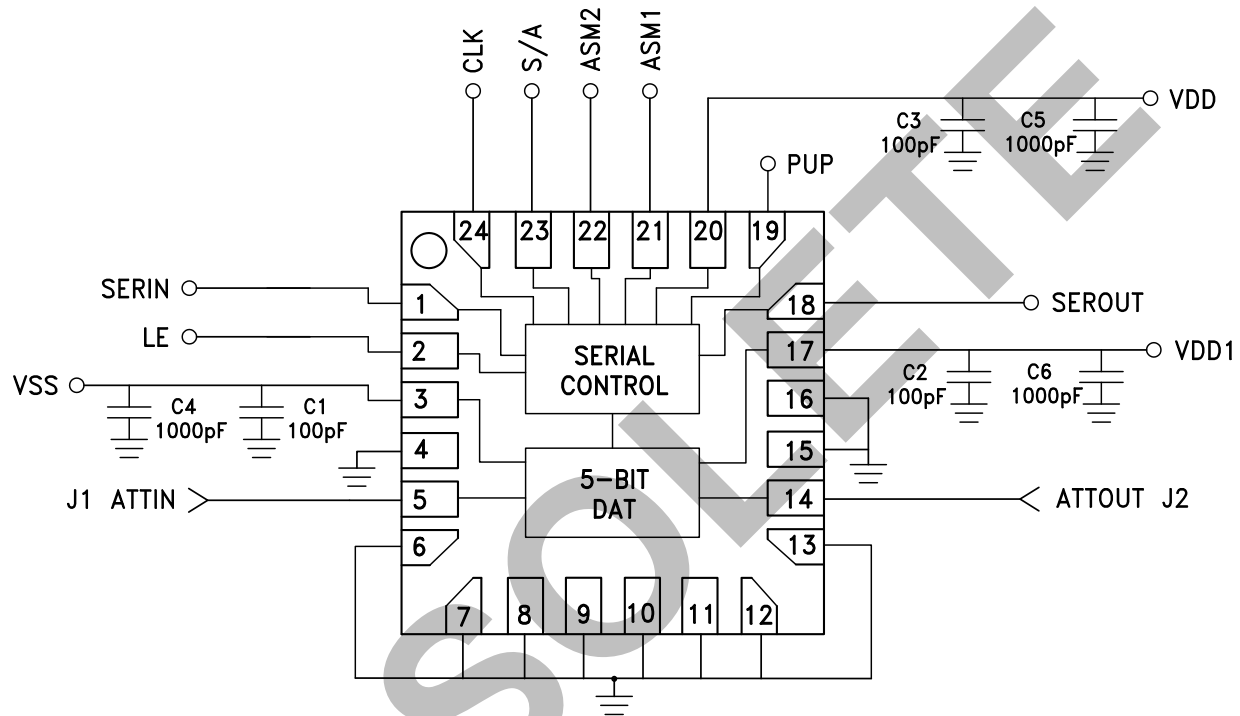
Information furnished by Analog Devices is believed to be accurate and reliable. However, no responsibility is assumed by Analog Devices for its use, nor for any infringements of patents or other rights of third parties that may result from its use. Specifications subject to change without notice. No license is granted by implication or otherwise under any patent or patent rights of Analog Devices. Trademarks and registered trademarks are the property of their respective owners.

For price, delivery, and to place orders: Analog Devices, Inc., One Technology Way, P.O. Box 9106, Norwood, MA 02062-9106 Phone: 781-329-4700 • Order online at www.analog.com Application Support: Phone: 1-800-ANALOG-D



1.0 dB LSB GaAs MMIC 5-BIT DIGITAL ATTENUATOR, 0.1 - 30 GHz

Application Circuit



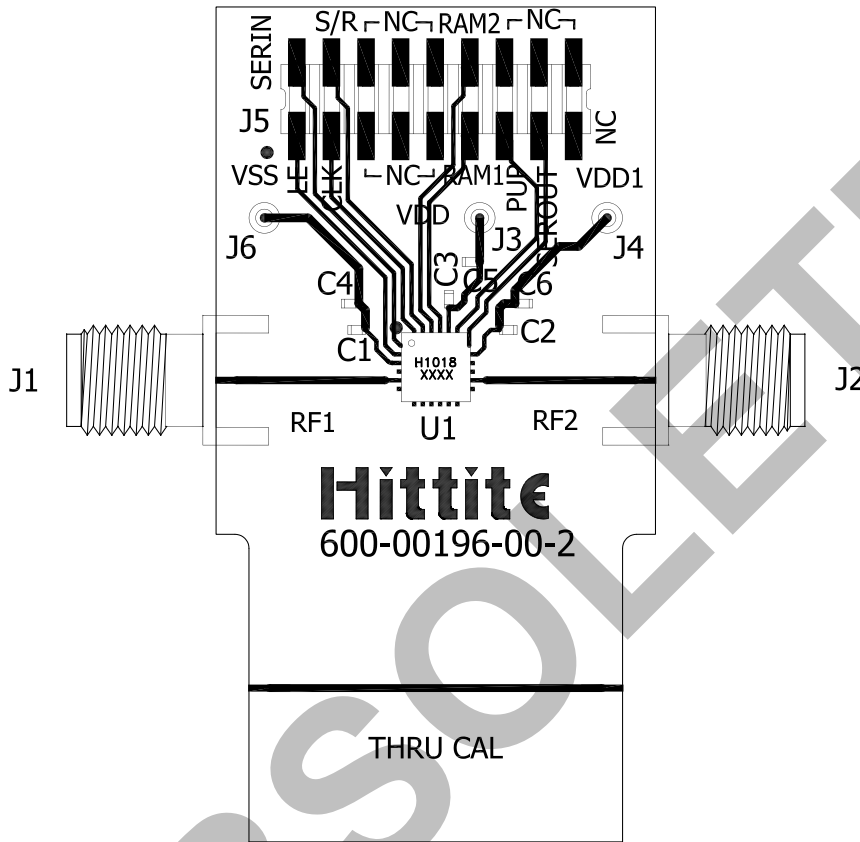
Information furnished by Analog Devices is believed to be accurate and reliable. However, no responsibility is assumed by Analog Devices for its use, nor for any infringements of patents or other rights of third parties that may result from its use. Specifications subject to change without notice. No license is granted by implication or otherwise under any patent or patent rights of Analog Devices. Trademarks and registered trademarks are the property of their respective owners.

For price, delivery, and to place orders: Analog Devices, Inc., One Technology Way, P.O. Box 9106, Norwood, MA 02062-9106 Phone: 781-329-4700 • Order online at www.analog.com Application Support: Phone: 1-800-ANALOG-D



**1.0 dB LSB GaAs MMIC 5-BIT DIGITAL
ATTENUATOR, 0.1 - 30 GHz**

Evaluation PCB



List of Materials for Evaluation PCB EVAL01-HMC1018LP4E [1]

| Item | Description |
|------------|---------------------------------|
| J1, J2 | 2.9 mm PC Mount RF Connector |
| J3, J4, J6 | DC Connector |
| J5 | 2mm DC Header |
| C1-C3 | 100 pF Capacitor, 0402 Pkg. |
| C4-C6 | 1000 pF Capacitor, 0402 Pkg. |
| U1 | HMC1018LP4E Digital Attenuator |
| PCB [2] | 600-00196-00-2 Evaluation Board |

[1] Reference this number when ordering complete evaluation PCB

[2] Circuit Board Material: Rogers 4350

The circuit board used in the application should use RF circuit design techniques. Signal lines should have 50 Ohm impedance while the package ground leads should be connected directly to the ground plane similar to that shown. A sufficient number of via holes should be used to connect the top and bottom ground planes. The evaluation circuit board shown is available from Hittite upon request.

**1.0 dB LSB GaAs MMIC 5-BIT DIGITAL
ATTENUATOR, 0.1 - 30 GHz****Notes:**

OBSOLETE