

FEATURES

Fixed gain of 22.1 dB
Broad operation from 30 MHz to 6 GHz
High dynamic range gain block
Input/output internally matched to 50 Ω
Integrated bias control circuit
OIP3 of 38.5 dBm at 900 MHz
P1dB of 21.0 dBm at 900 MHz
Noise figure of 2.1 dB at 900 MHz
Single 5V power supply
Low quiescent current of 90 mA
Wide operating temperature range of -40°C to 105°C
Thermally efficient SOT-89 package
ESD rating of ± 1.5 kV (Class 1C)

GENERAL DESCRIPTION

The ADL5611 is a single ended RF/IF gain block amplifier that provides broadband operation from 30 MHz to 6 GHz. The ADL5611 provides a low noise figure of 2 dB with a very high OIP3 of over 38 dBm simultaneously, which delivers a high dynamic range.

The ADL5611 provides a gain of 22 dB, which is stable over frequency, temperature, power supply, and from device to device. The amplifier is offered in the industry standard SOT-89 package, and internally matched to 50 Ω at the input and output, making the ADL5611 very easy to implement in a wide variety of applications. The only external parts required are the input/output ac coupling capacitors, power supply decoupling capacitors, and bias inductor.

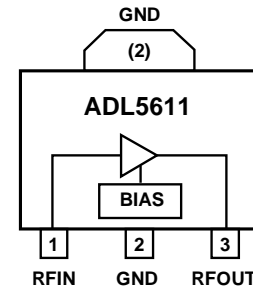
FUNCTIONAL BLOCK DIAGRAM

Figure 1. Functional Block Diagram

The ADL5611 has a high ESD rating of ± 1.5 kV (Class 1C), and is also fully specified for operation across the wide temperature range of -40°C to +105°C.

A fully populated RoHS-compliant evaluation board is available.

Rev. PrA

Information furnished by Analog Devices is believed to be accurate and reliable. However, no responsibility is assumed by Analog Devices for its use, nor for any infringements of patents or other rights of third parties that may result from its use. Specifications subject to change without notice. No license is granted by implication or otherwise under any patent or patent rights of Analog Devices. Trademarks and registered trademarks are the property of their respective owners.

TABLE OF CONTENTS

Features	1	ESD Caution.....	4
Functional Block Diagram	1	Pin Configuration and Function Descriptions.....	5
General Description	1	Typical Performance Characteristics	6
Specifications.....	3	Evaluation Board	7
Absolute Maximum Ratings.....	4	Outline Dimensions	8
Thermal Resistance	4	Ordering Guide	8

SPECIFICATIONS

$V_{POS} = 5\text{ V}$ and $T_A = 25^\circ\text{C}$, unless otherwise noted.

Table 1.

Parameter	Conditions	Min	Typ	Max	Unit
OVERALL FUNCTION					
Frequency Range		30		6000	MHz
FREQUENCY = 900 MHz					
Gain			22.1		dB
Output 1 dB Compression Point			21.0		dBm
Output Third-Order Intercept	$\Delta f = 1\text{ MHz}$, output power (P_{OUT}) = 3 dBm per tone		38.5		dBm
Noise Figure			2.1		dB
FREQUENCY = 1900 MHz					
Gain			21.2		dB
Output 1 dB Compression Point			20.5		dBm
Output Third-Order Intercept	$\Delta f = 1\text{ MHz}$, output power (P_{OUT}) = 3 dBm per tone		35.8		dBm
Noise Figure			2.5		dB
POWER INTERFACE	V_{POS}				
Supply Voltage		4.75	5	5.25	V
Supply Current			90.7		mA
vs. Temperature	$-40^\circ\text{C} \leq T_A \leq +85^\circ\text{C}$		-7/+5		mA
Power Dissipation	$V_{POS} = 5\text{V}$		0.45		W

ABSOLUTE MAXIMUM RATINGS

Table 2.

Parameter	Rating
Supply Voltage, V_{POS}	TBD V
Input Power (50 Ω Impedance)	TBD dBm
Internal Power Dissipation (Paddle Soldered)	TBD W
Maximum Junction Temperature	150°C
Operating Temperature Range	-40°C to +105°C
Storage Temperature Range	-65°C to +150°C

Stresses above those listed under Absolute Maximum Ratings may cause permanent damage to the device. This is a stress rating only; functional operation of the device at these or any other conditions above those indicated in the operational section of this specification is not implied. Exposure to absolute maximum rating conditions for extended periods may affect device reliability.

THERMAL RESISTANCE

Table 3 lists the junction-to-air thermal resistance (θ_{JA}) and the junction-to-paddle thermal resistance (θ_{JC}) for the ADL5611.

Table 3. Thermal Resistance

Package Type	θ_{JA} ¹	θ_{JC} ²	Unit
3-Lead SOT-89	TBD	TBD	°C/W

¹Measured on Analog Devices evaluation board. For more information about board layout, see the Soldering Information and Recommended PCB Land Pattern section.

²Based on simulation with JEDEC standard JESD51.

ESD CAUTION



ESD (electrostatic discharge) sensitive device. Charged devices and circuit boards can discharge without detection. Although this product features patented or proprietary protection circuitry, damage may occur on devices subjected to high energy ESD. Therefore, proper ESD precautions should be taken to avoid performance degradation or loss of functionality.

PIN CONFIGURATION AND FUNCTION DESCRIPTIONS

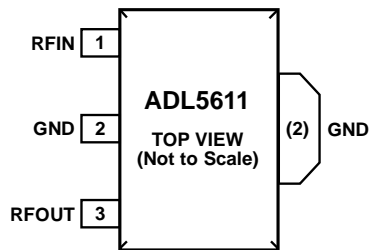


Figure 2. Pin Configuration

Table 4. Pin Function Descriptions

Pin No.	Mnemonic	Description
1	RFIN	RF Input. This pin requires a dc blocking capacitor.
2	GND	Ground. Connect this pin to a low impedance ground plane.
3	RFOUT	RF Output and Supply Voltage. DC bias is provided to this pin through an inductor that is connected to the external power supply. RF path requires a dc blocking capacitor.
Exposed Paddle		Exposed Paddle. Internally connected to GND. Solder to a low impedance ground plane.

TYPICAL PERFORMANCE CHARACTERISTICS

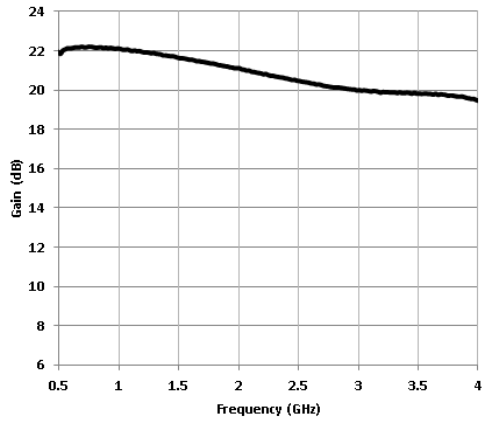


Figure 3. Gain vs. Frequency, 0.5-4.0GHz

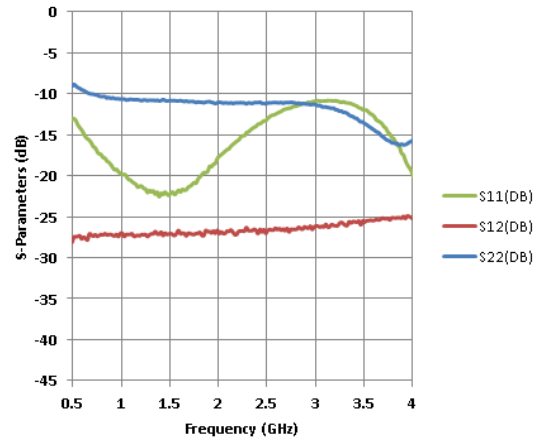


Figure 6. Input Return Loss (S11), Output Return Loss (S22), and Reverse Isolation (S12) vs. Frequency, 0.5-4.0GHz

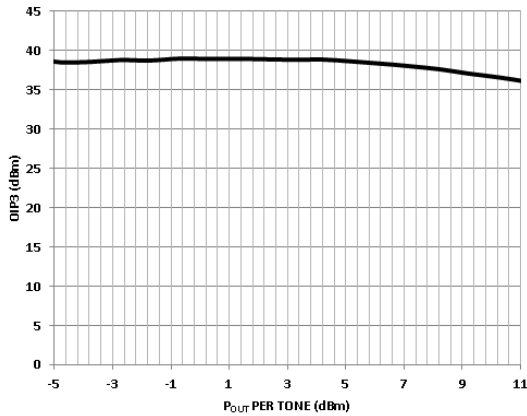


Figure 4. OIP3 vs. Pout, 900MHz

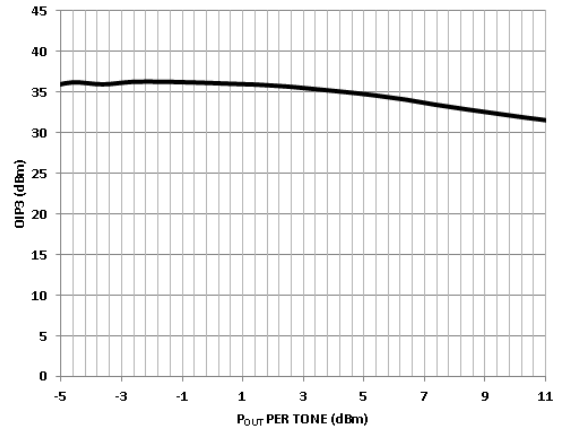


Figure 7. OIP3 vs. Pout, 1900MHz

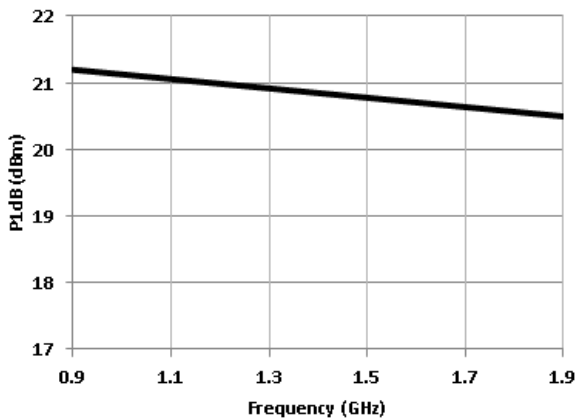


Figure 5. P1dB vs. Frequency, 0.9-1.9GHz

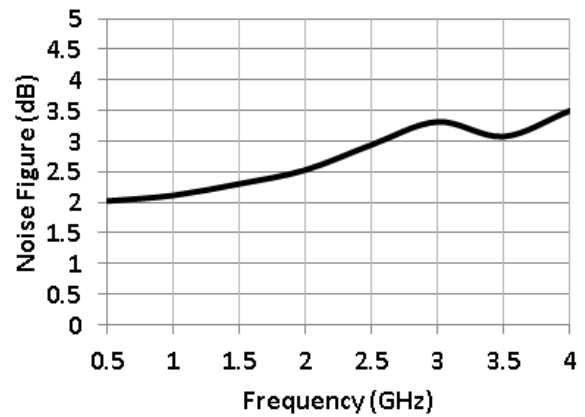


Figure 8. Noise Figure vs. Frequency, 0.5-4.0GHz

EVALUATION BOARD

Figure 9 shows the schematic for the ADL5611 evaluation board. The board is powered by a single 5 V supply. The components used on the board are listed in Table 5. Power can be applied to the board through clip-on leads (VPOS, GND).

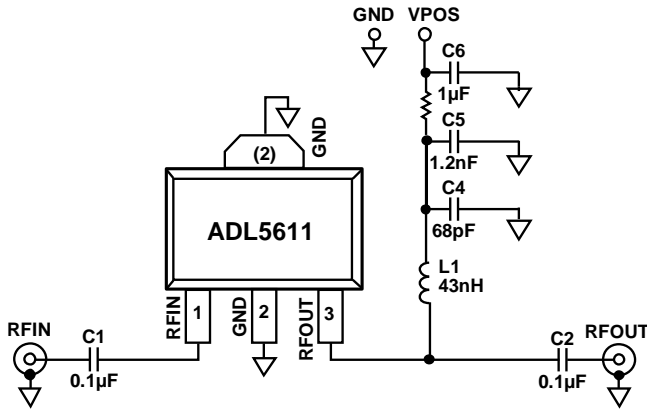


Figure 9. Evaluation Board Schematic

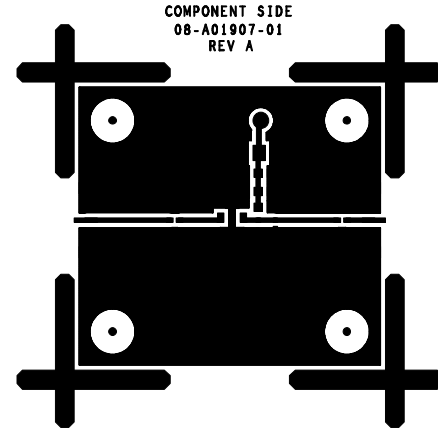
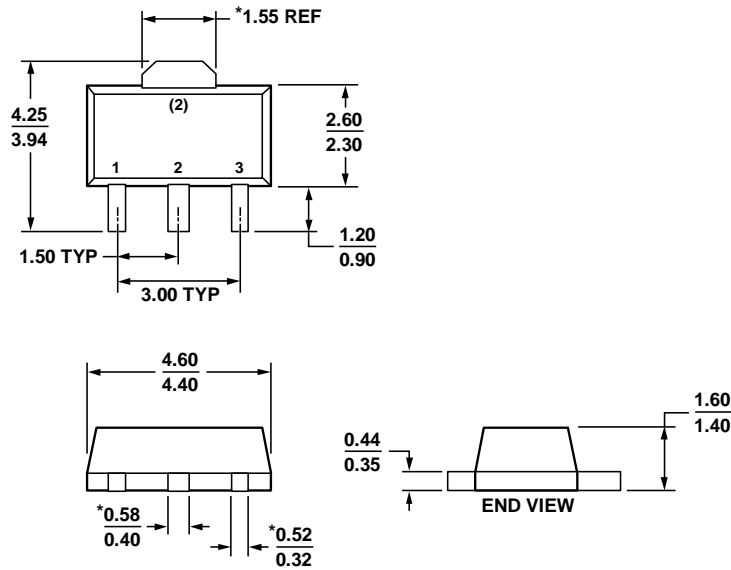


Figure 10. Evaluation Board Layout (Top)

Table 5. Evaluation Board Configuration Options

Component	Function	Default Value
C1, C2	AC-coupling capacitors.	0.1 μF 0402
L1	DC bias inductor.	43 nH 0603 (Coilcraft 0603HP or equivalent)
V _{POS} , GND	Clip-on terminals for power supply.	
C4, C5, C6	Power supply decoupling capacitors	C4 = 68 pF, 0603; C5 = 1.2 nF, 0603; C6 = 1 μF, 1206

OUTLINE DIMENSIONS



*COMPLIANT TO JEDEC STANDARDS TO-243 WITH EXCEPTION TO DIMENSIONS INDICATED BY AN ASTERISK.

Figure 11. 3 Lead Small Outline Transistor Package {SOT-89} (RK-3)

Dimensions shown in Millimeters

040407-A

ORDERING GUIDE

Model ¹	Temperature Range	Package Description	Package Option
ADL5611ARKZ-R7	-40°C to +105°C	3-Lead SOT-89, 7" Tape and Reel	RK-3
ADL5611-EVALZ	-40°C to +105°C	Evaluation Board	

¹ Z = RoHS Compliant Part.