

High temperature accelerometer

HT787A

SPECIFICATIONS

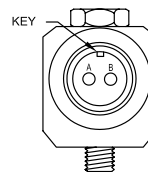
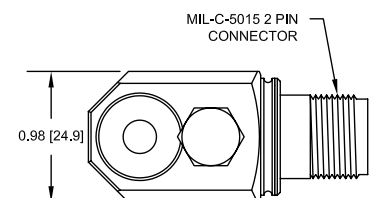
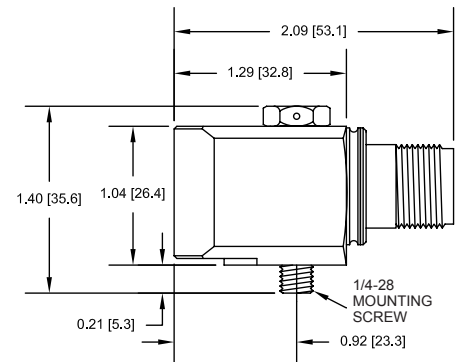
Sensitivity, $\pm 5\%$, 25°C		100 mV/g
Acceleration range, VDC > 25 V		80 g peak
Amplitude nonlinearity		1%
Frequency response:	$\pm 10\%$	1.0 - 5,000 Hz
	± 3 dB	0.5 - 10,000 Hz
Resonance frequency, nominal		22 kHz
Transverse sensitivity, max		5% of axial
Temperature response:	-25°C	-10%
	+150°C	+15%
Power requirement:		
Voltage source		18 - 30 VDC
Current regulating diode		2 - 10 mA
Electrical noise, equiv. g:		
Broadband	2.5 Hz to 25 kHz	25°C 700 μ g
		150°C 1,100 μ g
Spectral	10 Hz	10 μ g/ $\sqrt{\text{Hz}}$
	100 Hz	7 μ g/ $\sqrt{\text{Hz}}$
	1,000 Hz	5 μ g/ $\sqrt{\text{Hz}}$
Output impedance, max		100 Ω
Bias output voltage:	+25°C	13 VDC
	+150°C	12 VDC
Grounding		case isolated, internally shielded
Temperature range		-50° to +150°C
Vibration limit		500 g peak
Shock limit		5,000 g peak
Electromagnetic sensitivity, equiv. g, max		70 μ g/gauss
Sealing		hermetic
Base strain sensitivity, max		0.0002 g/ μ strain
Sensing element design		PZT, shear
Weight		145 grams
Case material		316L stainless steel
Mounting		1/4-28 captive screw
Output connector		2 pin, MIL-5015 style
Recommended cabling		J9F / J9T2A

Accessories supplied: 1/4-28 captive screw (metric mounting available); calibration data (level 2)



Key features

- 150°C operation
- Built with extended range components for long-lasting operation
- Manufactured in ISO 9001 facility



Connections	
Function	Connector pin
power/signal	A
common	B
ground	shell



Note: Due to continuous process improvement, specifications are subject to change without notice. This document is cleared for public release.