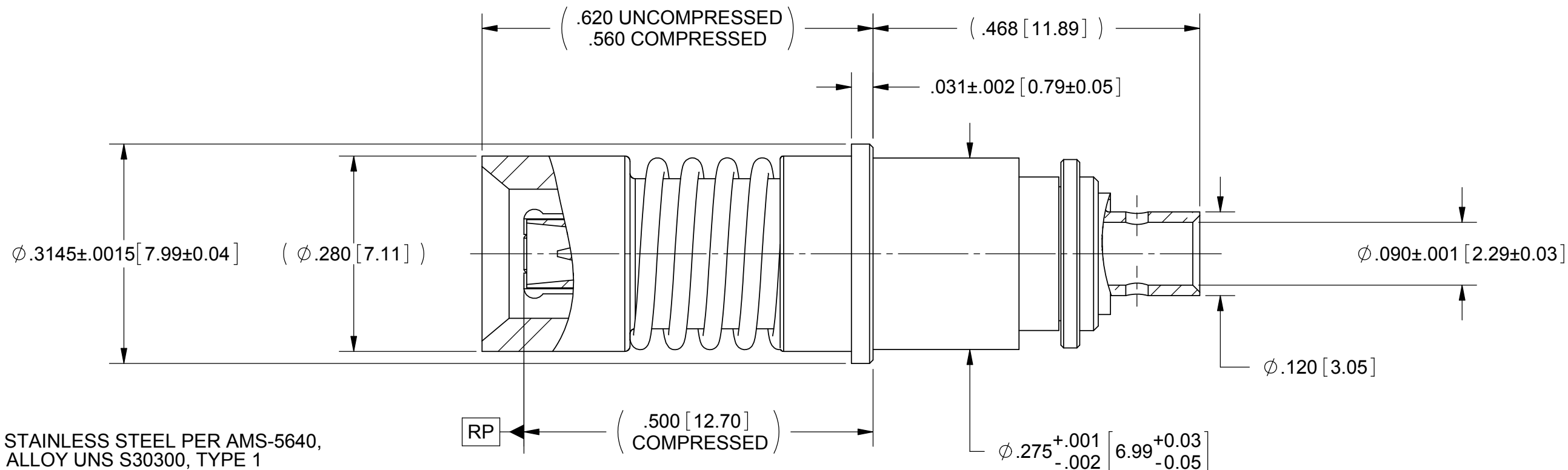


PRODUCT DATA DRAWING

REVISION HISTORY			
REV	DESCRIPTION	DATE	APPROVED
B	DCN 38472	08/11	STW



MATERIAL:

BODY & SLEEVE:

STAINLESS STEEL PER AMS-5640, ALLOY UNS S30300, TYPE 1

FERRULE:

BRASS PER ASTM B16 ALLOY UNS No. 36000

CONTACT LOCK RING:

BERYLLIUM COPPER PER ASTM B196, ALLOY No. UNS C17300, TD04

INSULATOR: GASKET:

PTFE PER ASTM D1710, TYPE I, GRADE 1, CLASS B
SILICONE RUBBER PER A-A-59588, CLASS 2B, GRADE 50/60

SPRING:

STAINLESS STEEL PER ASTM A313, TYPE 631.

FINISH:

BODY, SLEEVE & SPRING:

PASSIVATED PER AMS-2700, TYPE 2.

CONTACT & FERRULE:

GOLD PER ASTM B488, TYPE II, CODE C, CLASS 1.27; OVER NICKEL PER AMS-QQ-N-290, CLASS 1, .00005" MIN.

LOCK RING:

NICKEL PER AMS-QQ-N-290.

PERFORMANCE:

IMPEDANCE:

50 OHMS

FREQ. RANGE:

DC TO 18.0 GHz

VSWR:

1.25:1 MAX. MATED PAIR DC TO 18.0 GHz

INSERTION LOSS:

.06 X SQRT(F(F IN GHz))

DWV:

1000 VRMS

OPERATING TEMP.:

-55°C TO +125°C

SIZE 8 SOCKET CONTACT

MATERIAL: SEE NOTES	DIMENSIONS ARE IN INCHES TOLERANCES: FRACTIONAL: ±1/64 ANGULAR: X° ±1'0" X'X' ±15'	UNLESS OTHERWISE SPECIFIED 1) ALL DIMENSIONS ARE IN INCHES (MILLIMETERS) 2) ALL DIMENSIONS ARE AFTER PLATING. 3) BREAK CORNERS & EDGES .005 R. MAX. 4) CHAM. 1ST & LAST THREADS. 5) SURFACE ROUGHNESS ⁶³ MIL-STD-10. 6) DIA.'S ON COMMON CENTERS TO BE CONCENTRIC WITHIN .005 T.I.R. 7) REMOVE ALL BURRS	SV Microwave, Inc. 2400 Centrepark West Drive, Suite 100 West Palm Beach, FL 33409
FINISH: SEE NOTES	DECIMAL: X ±.030 .XX ±.010 .XXX ±.005	INTERPRET DIMENSIONS AND TOLERANCES PER ASME Y14.5M - 1994	TITLE: 18 GHz BMZ MALE TO TFLEX-405 FOR M38999 SIZE 8 CAVITY
SURFACE AREA: N/A	PROPRIETARY THE INFORMATION CONTAINED IN THIS DRAWING IS THE SOLE PROPERTY OF SV MICROWAVE, INC. ANY REPRODUCTION IN PART OR AS A WHOLE WITHOUT THE WRITTEN PERMISSION OF SV MICROWAVE, INC IS PROHIBITED.	THIRD ANGLE PROJECTION 	SIZE: B CAGE CODE: 95077 DWG. NO.: SF9811-6000
		DRAWN: JMC 03/15/07 CHECKED: STW 05/08/07 APPROVED: STW 05/08/07	SCALE: 6:1 SHEET 1 OF 1