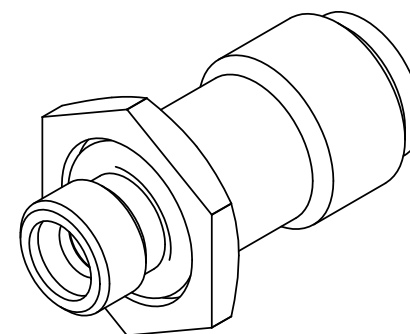
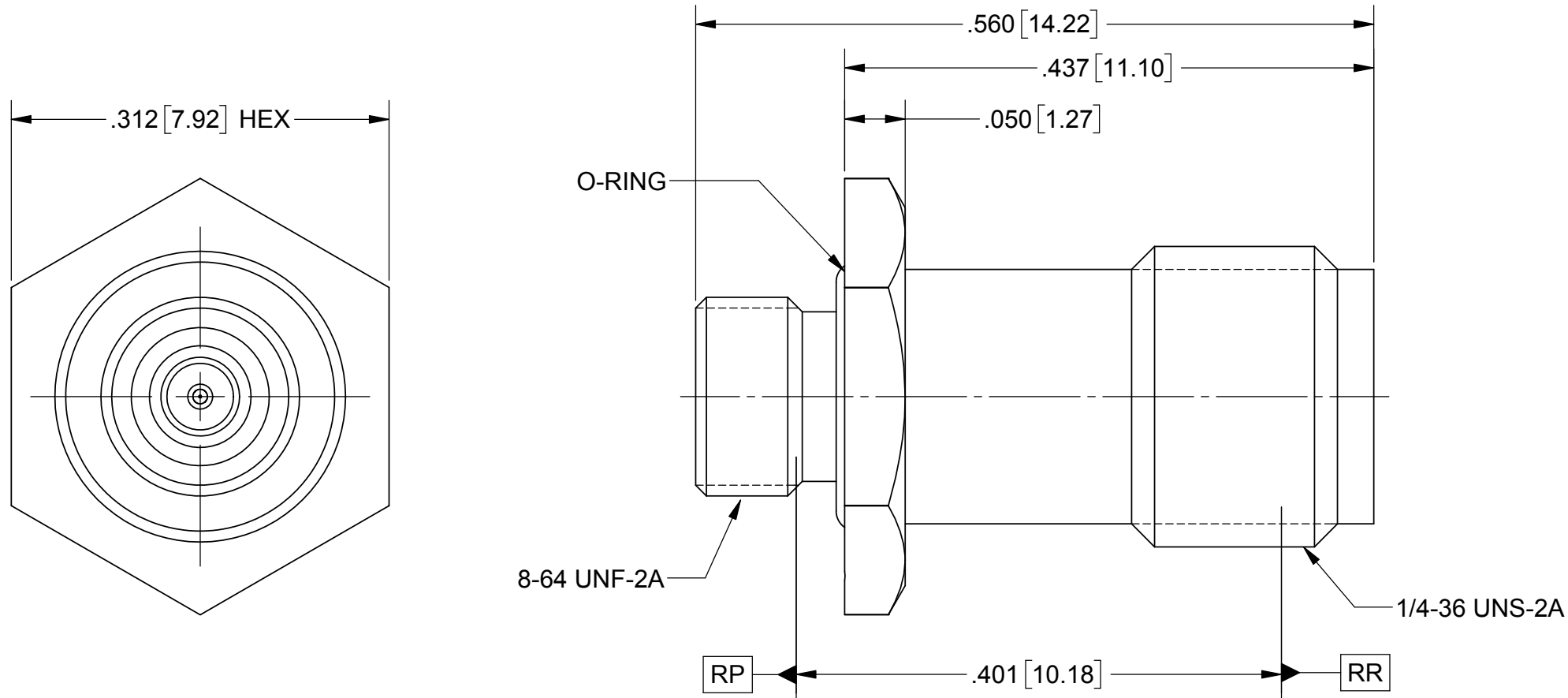


# PRODUCT DATA DRAWING

REVISION HISTORY			
REV	DESCRIPTION	DATE	APPROVED
01	PRELIMINARY	09/18/18	STW



- MATERIAL:**
- BODY & INSERT:** STAINLESS STEEL PER AMS 5640, ALLOY UNS S30300, TYPE 1 OR ASTM A582, TYPE 303, CONDITION A.
- CONTACT:** BERYLLIUM COPPER PER ASTM B196, ALLOY No. UNS C17300, TD04.
- DIELECTRIC BEAD:** PEI (ULTEM 1000) PER ASTM D5205.
- GLASS:** CORNING 7070 OR EQUIVALENT.
- PIN:** KOVAR PER ASTM F15.
- O-RING:** SILICONE RUBBER PER A-A-59588, CLASS 2B, GRADE 60 OR 70.
- FINISH:**
- BODY, CONTACT, PIN & INSERT:** GOLD PER ASTM B488, TYPE II, CODE C, CLASS 1.27 OVER NICKEL PER AMS-QQ-N-290, CLASS 1, .00005" MIN.
- INSERT:** PASSIVATED PER AMS 2700.

**PERFORMANCE:**

**IMPEDANCE:** 50 OHMS

**FREQ. RANGE:** DC TO 40.0 GHz

**HERMETICITY:** 1 X 10<sup>-8</sup>.

MATERIAL: SEE NOTES	DIMENSIONS ARE IN INCHES TOLERANCES: FRACTIONAL: ±1/64 ANGULAR: X° ±1'0" X'X' ±15'	UNLESS OTHERWISE SPECIFIED 1) ALL DIMENSIONS ARE IN INCHES (MILLIMETERS) 2) ALL DIMENSIONS ARE AFTER PLATING. 3) BREAK CORNERS & EDGES .005 R. MAX. 4) CHAM. 1ST & LAST THREADS. 5) SURFACE ROUGHNESS 63-MIL-STD-10. 6) DIA.'S ON COMMON CENTERS TO BE CONCENTRIC WITHIN T.I.R. 7) REMOVE ALL BURRS	<b>SV Microwave, Inc.</b> 2400 Centrepark West Drive, Suite 100 West Palm Beach, FL 33409
FINISH: SEE NOTES	DECIMAL: X ±.030 .XX ±.010 .XXX ±.005	INTERPRET DIMENSIONS AND TOLERANCES PER ASME Y14.5M - 1994	TITLE: ADAPTER 2.92mm FEM TO SMPM FD MALE BLKHD MT HERMETICALLY SEALED
SURFACE AREA: N/A	THIRD ANGLE PROJECTION	DRAWN: JMC 09/18/18	SIZE CAGE CODE DWG. NO. SF1132-6094
PROPRIETARY THE INFORMATION CONTAINED IN THIS DRAWING IS THE SOLE PROPERTY OF SV MICROWAVE, INC. ANY REPRODUCTION IN PART OR AS A WHOLE WITHOUT THE WRITTEN PERMISSION OF SV MICROWAVE, INC IS PROHIBITED.		CHECKED: STW 09/18/18	SCALE: 8:1
		APPROVED: STW 09/18/18	SHEET 1 OF 1