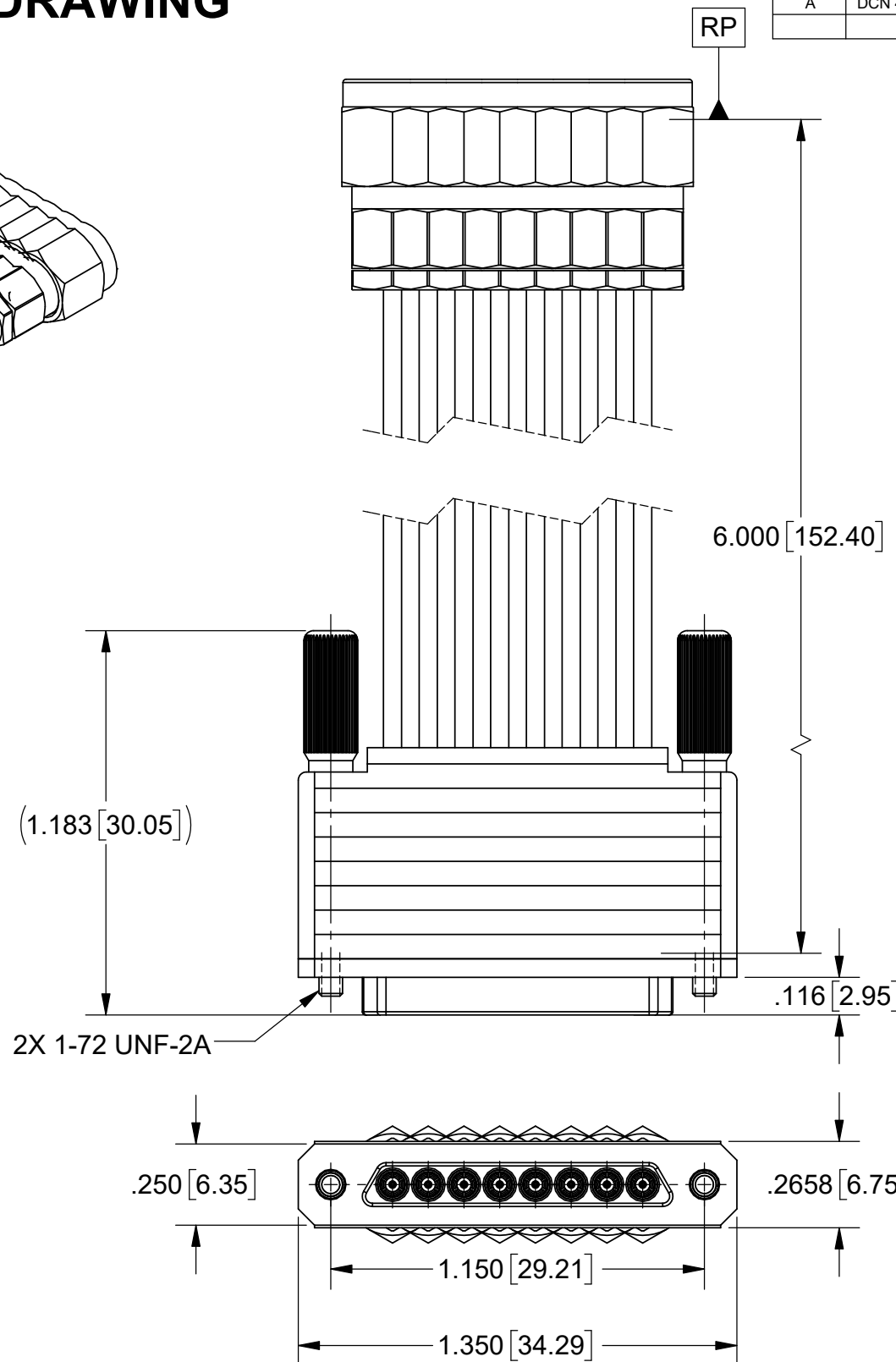
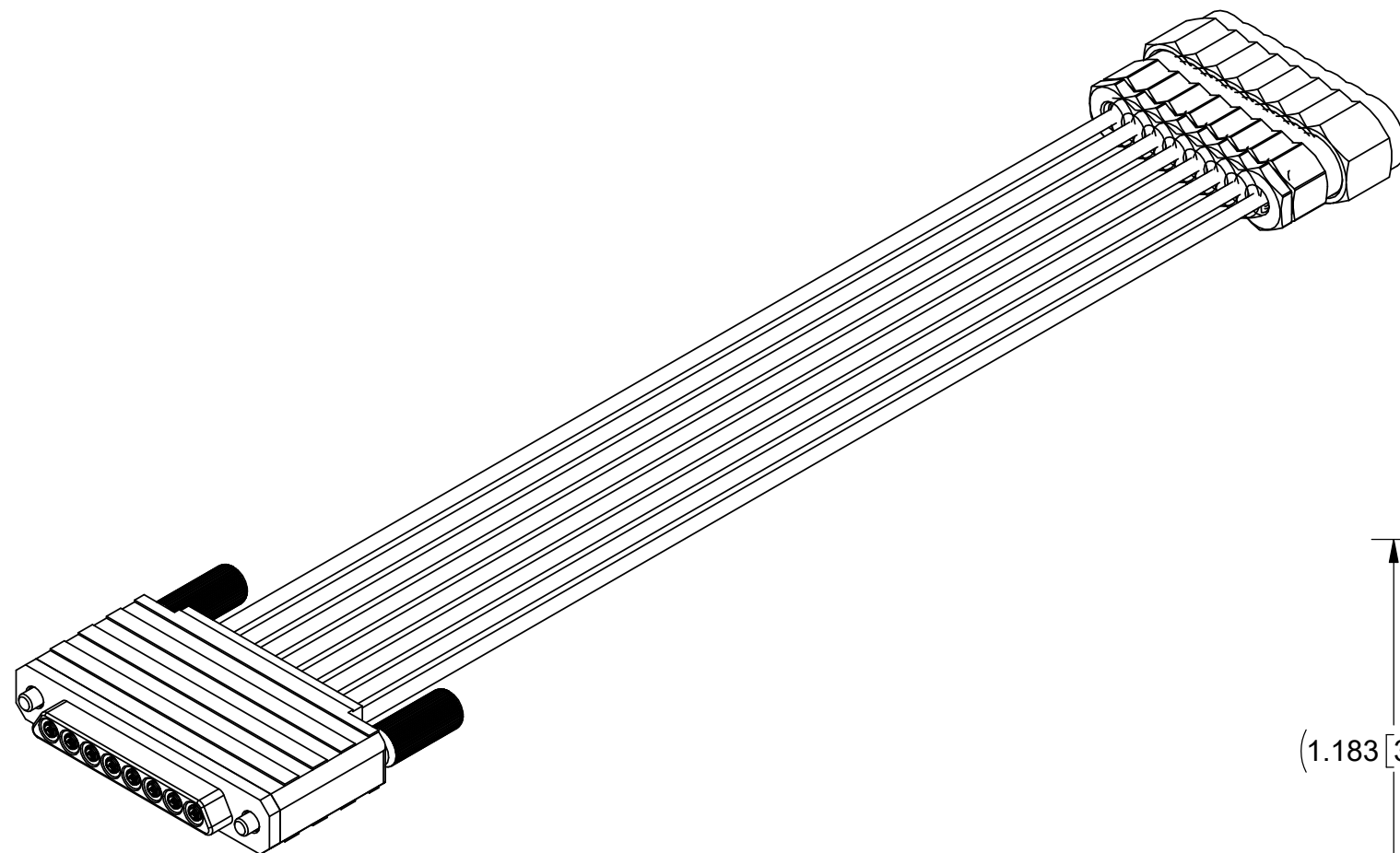


PRODUCT DATA DRAWING

REVISION HISTORY			
REV	DESCRIPTION	DATE	APPROVED
-	DCN 47236	02/18	DAL
A	DCN 47600	06/18	STW



MATERIAL:

- MOUNTING SCREWS & BACKSHELL SCREWS: STAINLESS STEEL
- RETAINING CLIPS: BERYLLIUM COPPER
- D-SUB & STOCK: ALUMINUM
- BACKSHELL: BLACK PHOTOPOLYMER RESIN
- CABLE: FLEXIBLE Ø.047
- CONNECTORS: 8X SMPS BULLETS (1138-4025)
8X MALE 2.92mm (SF1511-60069)

FINISH:

- MOUNTING SCREWS & BACKSHELL SCREWS: PASSIVATED PER AMS-2700
- D-SUB: ANODIZED RED

MATERIAL:	SEE NOTES
FINISH:	SEE NOTES
SURFACE AREA:	N/A
PROPRIETARY	
THE INFORMATION CONTAINED IN THIS DRAWING IS THE SOLE PROPERTY OF SV MICROWAVE, INC. ANY REPRODUCTION IN PART OR AS A WHOLE WITHOUT THE WRITTEN PERMISSION OF SV MICROWAVE, INC IS PROHIBITED.	

DIMENSIONS ARE IN INCHES TOLERANCES:	
FRACTIONAL:	±1/64 ANGULAR: X° ±1'0" X'X' ±15'
DECIMAL:	X ±.030 .XX ±.010 .XXX ±.005
INTERPRET DIMENSIONS AND TOLERANCES PER ASME Y14.5M - 1994	
THIRD ANGLE PROJECTION	

UNLESS OTHERWISE SPECIFIED	
1) ALL DIMENSIONS ARE IN INCHES (MILLIMETERS) 2) ALL DIMENSIONS ARE AFTER PLATING. 3) BREAK CORNERS & EDGES .005 R. MAX. 4) CHAM. 1ST & LAST THREADS. 5) SURFACE ROUGHNESS 63-MIL-STD-10. 6) DIA: 'S ON COMMON CENTERS TO BE CONCENTRIC WITHIN .005 T.I.R. 7) REMOVE ALL BURRS	
DRAWN:	JMS 02/26/18
CHECKED:	DAL 02/26/18
APPROVED:	DAL 02/26/18

2400 Centrepark West Drive, Suite 100 West Palm Beach, FL 33409	
TITLE:	
8 PORT MINI-D RF ASSEMBLY WITH 6" 2.92mm Ø.047 CABLES	
SIZE	CAGE CODE
B	95077
DWG. NO.	
	7038-0211
SCALE: 2:1	SHEET 1 OF 1