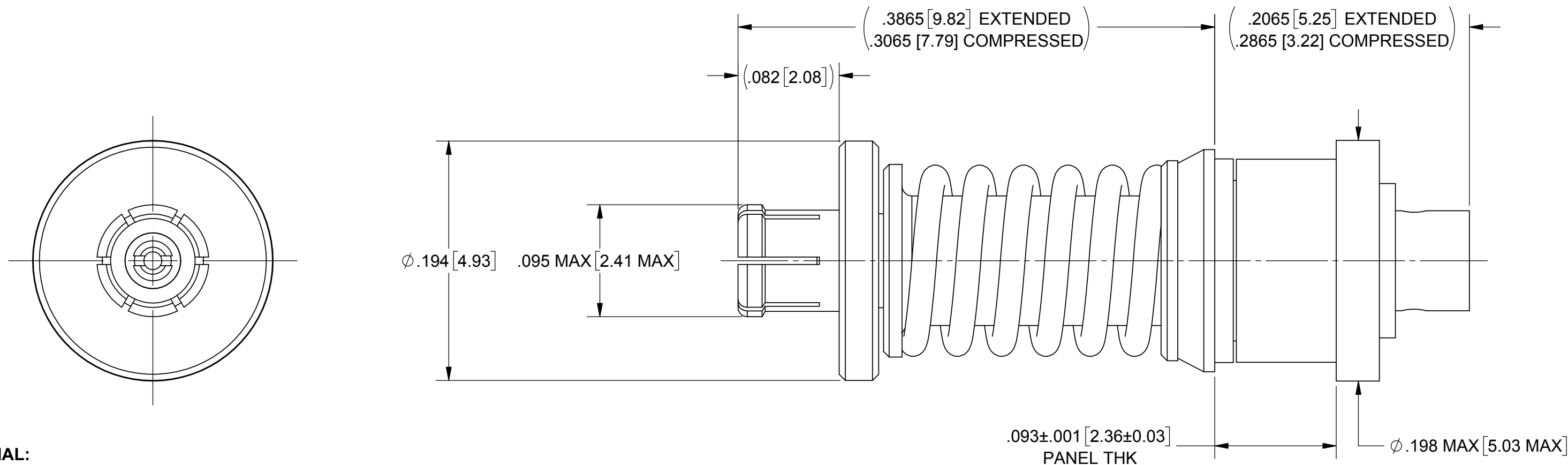


REVISION HISTORY			
REV	DESCRIPTION	DATE	APPROVED
-	NRN 41297	02/17	DAL
A	DCN 47834	08/18	DAL

PRODUCT DATA DRAWING



MATERIAL:

BODIES & CONTACTS: BERYLLIUM COPPER PER ASTM B196, ALLOY No. UNS C17300, TD04

INSULATORS: PTFE PER ASTM D1710, TYPE I, GRADE 1, CLASS B

SPRING & SLEEVE: STAINLESS STEEL PER AMS-5678, ALLOY UNS S17700

FINISH:

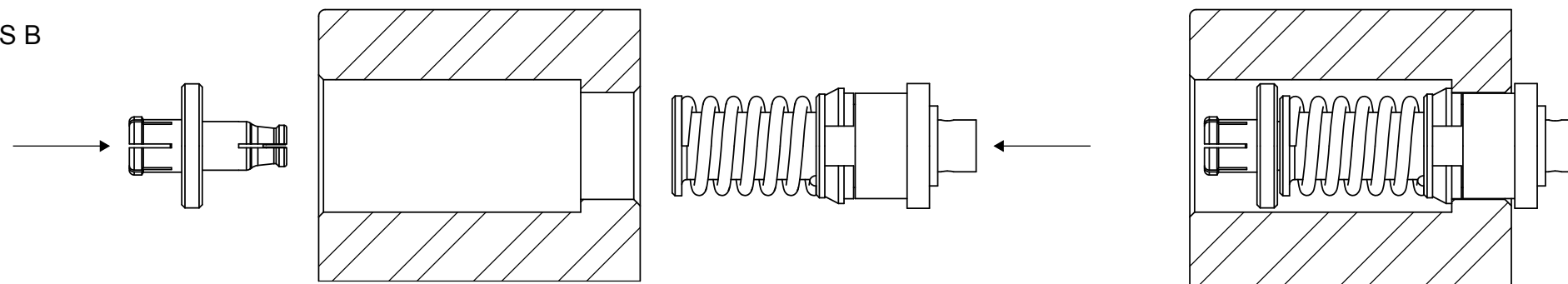
BODIES & CONTACTS: GOLD PER ASTM B488, TYPE II, CODE C, CLASS 1.27, OVER NICKEL PER AMS-QQ-N-290, CLASS 1, .00005" MIN.

SPRING: PASSIVATED PER ASTM A967

PERFORMANCE:

IMPEDANCE: 50 OHMS
FREQ. RANGE: DC TO 40.0 GHz.
VSWR: 1.40:1 MAX, DC TO 40.0 GHz.
INSERTION LOSS: .65 dB MAX, DC TO 40.0 GHz.
OPERATING TEMP.: -65 °C TO +165 °C

FOR USE IN VITA 67.3 BACKPLANE MODULE
 REMOVAL TOOL P/Ns 500-32-007 & 500-32-015



MATERIAL: SEE NOTES	DIMENSIONS ARE IN INCHES TOLERANCES: FRACTIONAL: $\pm 1/64$ ANGULAR: X° $\pm 1'0''$ X"X' $\pm 15''$	UNLESS OTHERWISE SPECIFIED 1) ALL DIMENSIONS ARE IN INCHES (MILLIMETERS) 2) ALL DIMENSIONS ARE AFTER PLATING. 3) BREAK CORNERS & EDGES .005 R. MAX. 4) CHAM. 1ST & LAST THREADS. 5) SURFACE ROUGHNESS 63-MIL-STD-10. 6) DIA.'S ON COMMON CENTERS TO BE CONCENTRIC WITHIN .005 T.I.R. 7) REMOVE ALL BURRS	 Amphenol 2400 Centrepark West Drive, Suite 100 West Palm Beach, FL 33409 TITLE: SMPM COMPRESSIBLE FEMALE FOR Ø.047 CABLE
FINISH: SEE NOTES	DECIMAL: X $\pm .030$.XX $\pm .010$.XXX $\pm .005$	INTERPRET DIMENSIONS AND TOLERANCES PER ASME Y14.5M - 1994	
SURFACE AREA: N/A	THIRD ANGLE PROJECTION	DRAWN: ELA 02/15/17	SIZE B CAGE CODE 95077 DWG. NO. 3221-40071
PROPRIETARY THE INFORMATION CONTAINED IN THIS DRAWING IS THE SOLE PROPERTY OF SV MICROWAVE, INC. ANY REPRODUCTION IN PART OR AS A WHOLE WITHOUT THE WRITTEN PERMISSION OF SV MICROWAVE, INC IS PROHIBITED.		CHECKED: DAL 02/15/17	SCALE: 12:1 SHEET 1 OF 1
		APPROVED: DAL 02/15/17	