

NOTES:

1. MATERIALS AND FINISHES:

HD-BNC STR CRIMP PLUG - 34-1025
 1.0/2.3 PUSH-PULL CRIMP PLUG - 282135-75
 CABLE - BELDEN 1505A

3. PACKAGING:

A. QUANTITY: SINGLE PACK
 B. MARKING: BAG TO BE MARKED
 "AMPHENOL RF, 95-850-156XXXX AND DATE CODE".

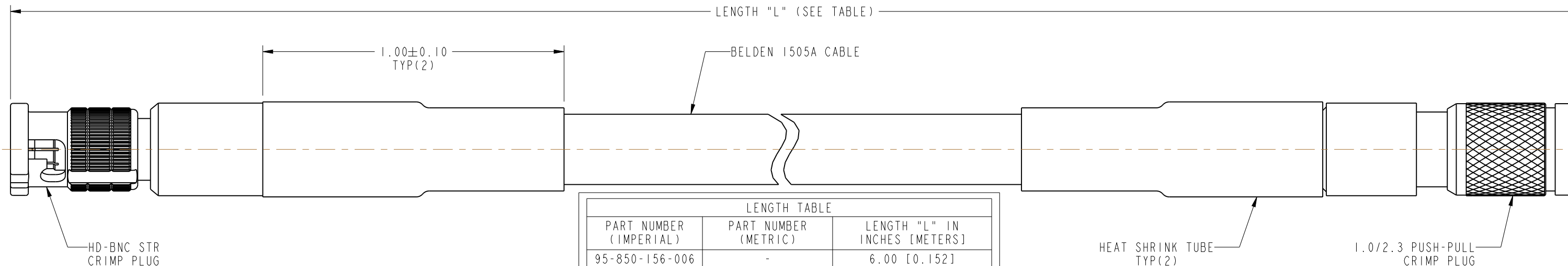
2. ELECTRICAL:

A. IMPEDANCE: 75 OHM

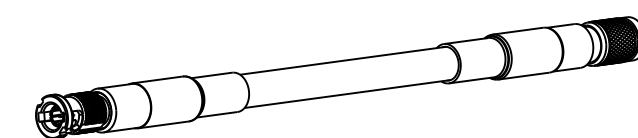
THIRD ANGLE PROJ.

REVISIONS

REV	DESCRIPTION	DATE	ECO	APPR
A	RELEASE TO MFG.	5/15/15	50350	NR/BCG



LENGTH TABLE		
PART NUMBER (IMPERIAL)	PART NUMBER (METRIC)	LENGTH "L" IN INCHES [METERS]
95-850-156-006	-	6.00 [0.152]
	95-850-156M025	9.84 [0.250]
95-850-156-012	-	12.00 [0.305]
95-850-156-018	-	18.00 [0.457]
	95-850-156M050	19.69 [0.500]
95-850-156-024	-	24.00 [0.610]
	95-850-156M075	29.53 [0.750]
95-850-156-036	-	36.00 [0.914]
	95-850-156M100	39.37 [1.000]
95-850-156-048	-	48.00 [1.219]
	95-850-156M125	49.21 [1.250]
	95-850-156M150	59.06 [1.500]
95-850-156-060	-	60.00 [1.524]
95-850-156-072	-	72.00 [1.829]
	95-850-156M200	78.74 [2.000]
	95-850-156M300	118.11 [3.000]
95-850-156-120	-	120.00 [3.048]
95-850-156-180	-	180.00 [4.572]
	95-850-156M500	196.85 [5.000]
95-850-156-300	-	300.00 [7.620]
	95-850-156M10L	393.70 [10.000]
95-850-156L050	-	600.00 [15.240]
	95-850-156M20L	787.40 [20.000]
95-850-156L075	-	900.00 [22.860]
	95-850-156M30L	1181.10 [30.000]
95-850-156L100	-	1200.00 [30.480]



SCALE 0.750

DESIGN REQUIREMENTS:

- | | |
|--|---|
| <input checked="" type="checkbox"/> FREQUENCY: DC TO 4 GHz | <input checked="" type="checkbox"/> CONTINUITY |
| <input type="checkbox"/> VSWR ----- MAX | <input checked="" type="checkbox"/> HI-POT : 500 VRMS |
| <input type="checkbox"/> INS. LOSS ----- dB MAX | <input type="checkbox"/> OTHER |

CUSTOMER OUTLINE DRAWING

ALL OTHER SHEETS ARE FOR INTERNAL USE ONLY

UNLESS OTHERWISE SPECIFIED, DIMENSIONS ARE IN INCHES AND TOLERANCES ARE: 2 PLACE DECIMAL ±.015 (0.381 mm) 3 PLACE DECIMAL ±.005 (0.127 mm) ANGLES ± 1°	MATERIAL	DRAWN	DATE	TITLE HD-BNC STR CRIMP PLUG TO 1.0/2.3 PUSH-PULL CRIMP PLUG, USING BELDEN 1505A CABLE, VARIOUS LENGTH		Amphenol RF www.amphenolrf.com	
	SEE NOTES	CLEMENT	09-Dec-14				
NOTICE - These drawings, specifications, or other data (1) are, and remain the property of Amphenol corp. (2) must be returned upon request; and (3) are confidential and not to be disclosed to any person other than those to whom they are given by Amphenol Corp. the furnishing of these drawings, specifications, or other data by Amphenol Corp., or to any other person to anyone for any purpose is not to be regarded by implication or otherwise in any manner licensing, granting rights to permitting such holder or any other person to manufacture, use or sell any product, process or design, patented or otherwise, that may in any way be related to or disclosed by said drawings, specifications, or other data.	REFERENCE	ENGINEER	DATE	SCALE: 3.0:1.0 SHEET 2 OF 2		DRAWING NO. 95-850-156-XXX ITEM NO. 95-850-156-XXX	
	EAR # 6515	CLEMENT	09-Dec-14				
	CONFIGURATION LEVEL: In Work	APPROVED	DATE		DWG SIZE B REV A		PART NO. 95-850-156XXXX
FINISH	K. CAPOZZI	5/7/15	CAD FILE				