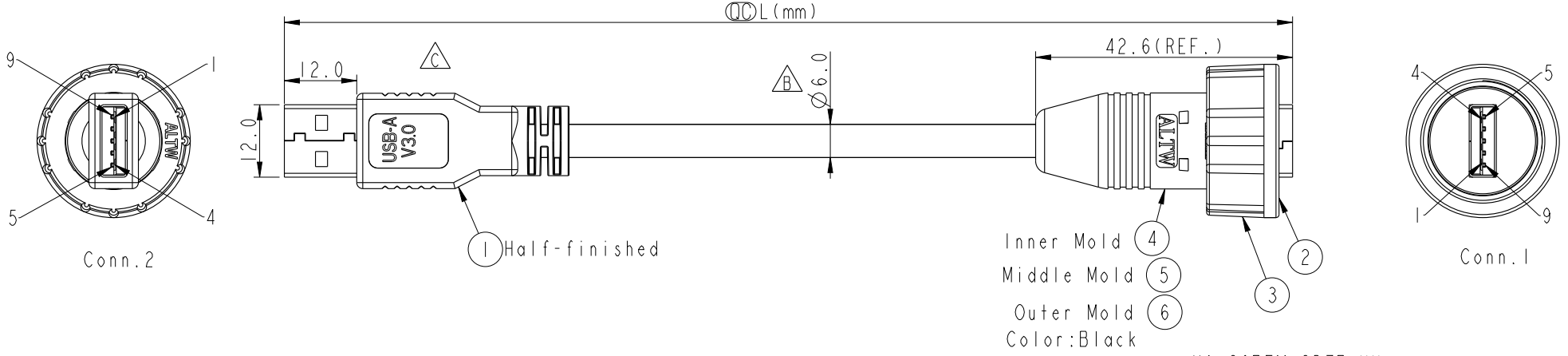


THIS DOCUMENT IS SUBJECT TO CHANGE WITHOUT NOTICE. IT IS CONFIDENTIAL AND A PROPERTY OF AMPHENOL LTW. DISCLOSURE TO THIRD PARTY HAS TO BE AUTHORIZED BY AMPHENOL LTW.

REV.	ECN NO.	DATE	SIGN	DESCRIPTION
A	Release	2012/12/06	Kevin Wang	
B	LEN1760260-62	2017/06/14	Jinhai	Change Supplier
C	CI92096	2019-12-07	Peng	△ X2



UA-30BFM-SD7B XX

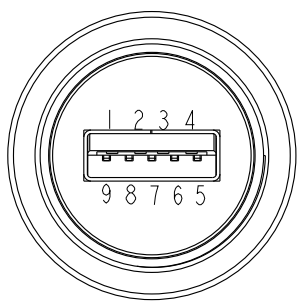
XX : 01~03Meters
 01 : 01Meter
 02 : 02Meters

03 : 03Meters

Cable Length(L): 01~03Meters

Note:

- * (QC) Important Dimension To Check.
- * Waterproof Rate: IP67
- * Jack: USB3.0-A Male Solder
- * Gasket: EPDM, Black
- * Screw Nut: Nylon+GF, Black
- * Cable: UL2725(IPx28#+DAM)*2+1P*28#+2C*28#+ABD, PVC Jacket, UV Resistant, OD=6.0mm, Black
- * Cable Length Tolerance: 01M: 40mm
 02M~03M: ±60mm
- * All of Drain twisted together.



Pin Assignments
Front View

Shield	Braid	編織	Shield	Shield	
9	Orange	28AWG 橙	SDP2+	9	Twist
8	Purple	28AWG 紫	SDP2-	8	
7	Drain	28AWG	SDP2_Drain	7	Twist
6	Yellow	28AWG 黃	SDP1+	6	
5	Blue	28AWG 藍	SDP1-	5	Twist
7	Drain	28AWG	SDP1_Drain	7	
4	Black	28AWG 黑	GND_PWRrt	4	Twist
3	Green	28AWG 綠	UTP_D+	3	
2	White	28AWG 白	UTP_D-	2	Twist
1	Red	28AWG 紅	PWR	1	
Conn.1	Wire Color		Signal Name	Conn.2	

Pin Out

UNIT:mm		
TOLERANCE	±0.5	

TITLE USB 3.0, Cable Screw F Conn M Pin to A Plug			
SCALE 1:1	SIZE A4	SHEET 1 OF 1	
REV. C	WC-REV. A.5	(QC): Inspection item	

Amphenol LTW
 安費諾亮泰企業股份有限公司

ITEM NO	DRAWN BY Jinhai	DATE 2017-06-14
DWG NO UA-30BFM-SD7BXX	CHECKED BY Feng-li	DATE 2017-06-14
CUSTOMER ALTW	APPROVED BY Jerry	DATE 2017-06-14