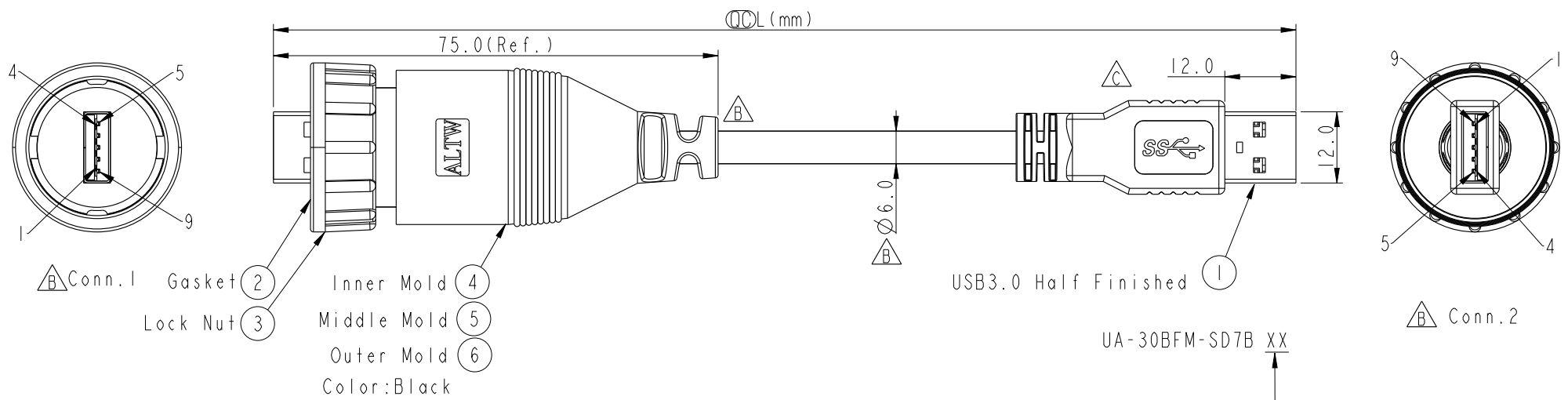


THIS DOCUMENT IS SUBJECT TO CHANGE WITHOUT NOTICE. IT IS CONFIDENTIAL AND A PROPERTY OF Amphenol LTW. DISCLOSURE TO THIRD PARTY HAS TO BE AUTHORIZED BY Amphenol LTW.

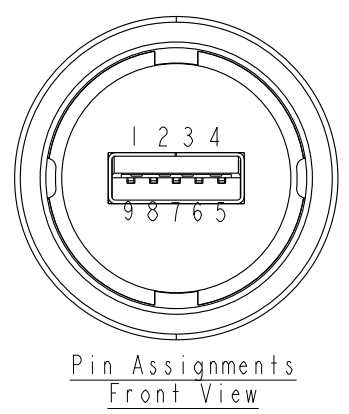
REV.	ECN NO.	DATE	SIGN	DESCRIPTION
B	LEN1760377-379	2017-06-10	Ouyang	Change Conn & Change Cable OD
C	CI92096	2019-12-07	Peng	△C X2



XX : 01~03Meters  
 01 : 01Meter  
 02 : 02Meters  
 ...  
 03 : 03Meters

Cable Length(L): 01~03Meters

- Note:
- \* (C) Important Dimension To Check.
  - \* Waterproof Rate: IP67
  - \* Jack: USB3.0-A Male Solder
  - \* Gasket: Silicone, Gray
  - \* Lock Nut: Nylon+GF, Black
  - \* Cable: UL2725(IPx28#+DAM)\*2+1P\*28#+2C\*28#+ABD, PVC Jacket, UV Resistant, OD=6.0mm, Black
  - \* Cable Length Tolerance: 01M: 40mm  
02M~03M: ±60mm
  - \* All of Drain twisted together.



Shield	Braid	編織	Shield	Shield	
9	Orange	28AWG 橙	SDP2+	9	Twist
8	Purple	28AWG 紫	SDP2-	8	
7	Drain	28AWG	SDP2_Drain	7	Twist
6	Yellow	28AWG 黃	SDP1+	6	
5	Blue	28AWG 藍	SDP1-	5	Twist
7	Drain	28AWG	SDP1_Drain	7	
4	Black	28AWG 黑	GND_PWRrt	4	Twist
3	Green	28AWG 綠	UTP_D+	3	
2	White	28AWG 白	UTP_D-	2	Twist
1	Red	28AWG 紅	PWR	1	
Conn.1	Wire Color		Signal Name	Conn.2	

Pin Out

UNIT:mm  
 TOLERANCE  
 ±0.5

TITLE  
 USB 3.0, Cable Lock  
 F Conn M Pin to A Plug

SCALE 1:1 SIZE A4 SHEET 1 OF 1

REV. C WC-REV. A.2 (C) Inspection item

**Amphenol LTW**  
 安費諾亮泰企業股份有限公司

ITEM NO	DRAWN BY	DATE
DWG NO	CHECKED BY	DATE
CUSTOMER	APPROVED BY	DATE

ALTW