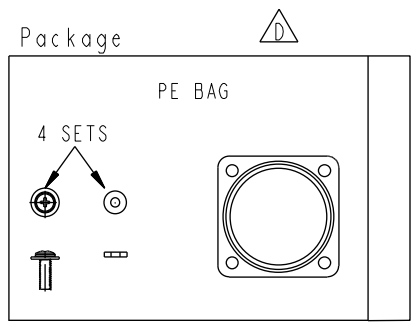
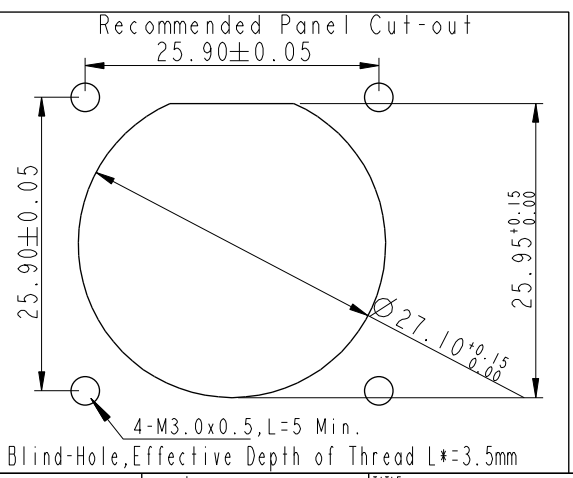
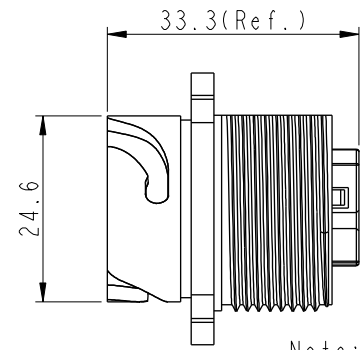
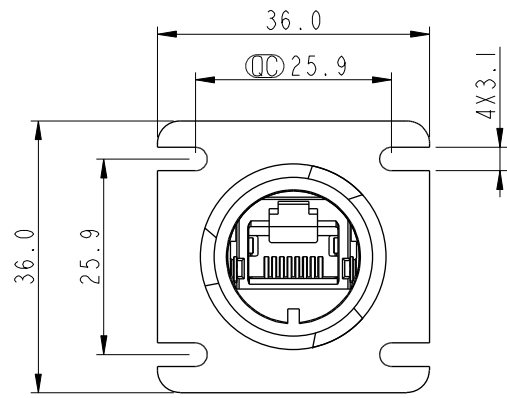
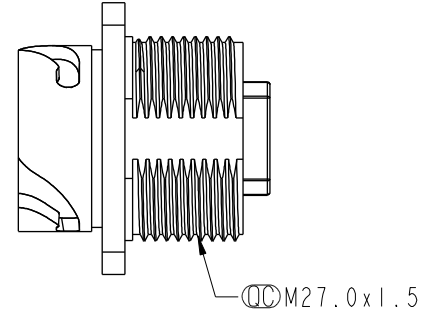
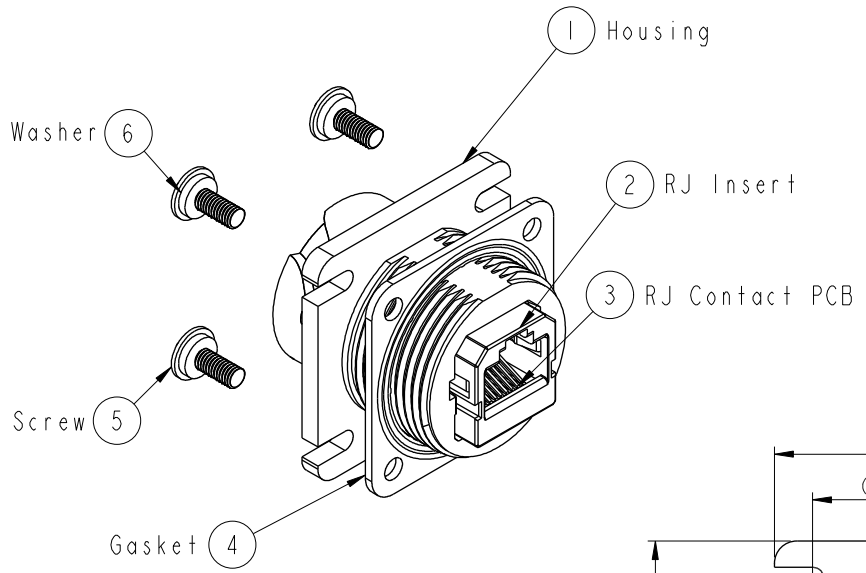


THIS DOCUMENT IS SUBJECT TO CHANGE WITHOUT NOTICE. IT IS CONFIDENTIAL AND A PROPERTY OF Amphenol LTW. DISCLOSURE TO THIRD PARTY HAS TO BE AUTHORIZED BY Amphenol LTW.

REV.	ECN NO.	DATE	SIGN	DESCRIPTION
C	LEN1610155	2016/01/08	Ruru	Change Note
D	LEN1670657	2016-07-23	Feng_Li	Modify Gasket Shape
E	CI90405	2019/03/18	Ruru	Modify Note



- Note: \triangle
- * \odot Important Dimension
 - * Waterproof Rate: IP67, Mated
 - * Housing: Thermoplastic, Black
 - * RJ45 Jack: Cat 5e, Shield
 - $\triangle C$ * Gasket: Rubber, Black
 - * Screw: M3.0x L=8.0mm
 - * Contact: Copper Alloy, Gold Plated
 - $\triangle B$ * Screw torsion value range: 1.5~2kgf-cm
 - $\triangle B$ * Temperature Range: -40°C to 105°C
 - $\triangle B$ * All Parts Should Meet RoHS Compliant.
 - * Gasket are packed separately in PE bags

UNIT: mm		TITLE RJ45 ODVA, PANEL, DOUBLE LOCK
TOLERANCE .X ±0.25 .XX ±0.1 .XXX ±0.05 ANGLES ±1°	SCALE 1:1	SIZE A4
	REV. E	SHEET 1 OF 1
	WC-REV. B.4	\odot : Inspection item

Amphenol LTW
安費諾亮泰企業股份有限公司

ITEM NO. ROP-5SRFFH-TSM7001	DRAWN BY Ruru	DATE 2019-03-18
DWG NO. ROP-5SRFFH-TSM7001	CHECKED BY Rita	DATE 2019-03-18
CUSTOMER ALTW	APPROVED BY Max	DATE 2019-03-18