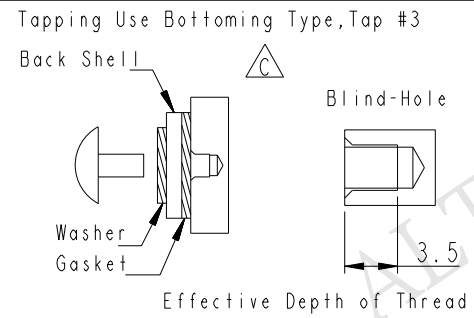
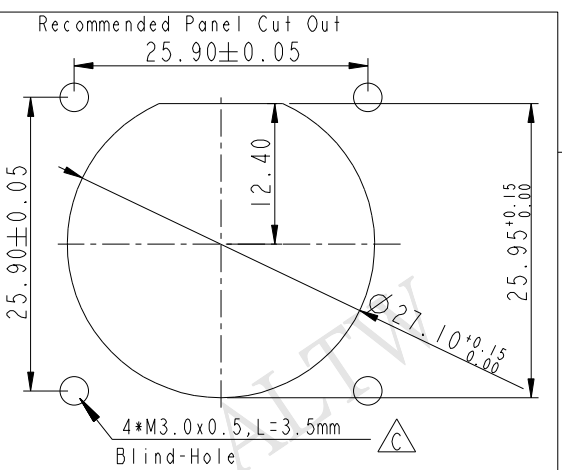
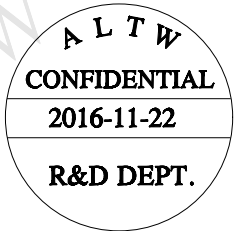
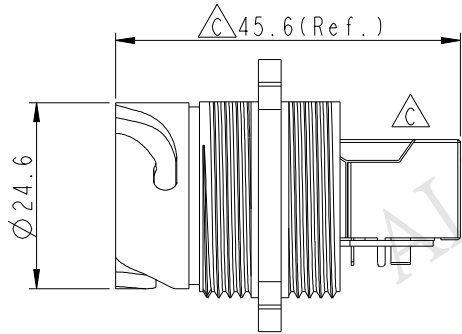
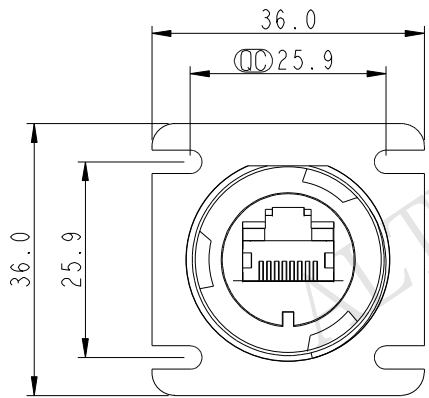
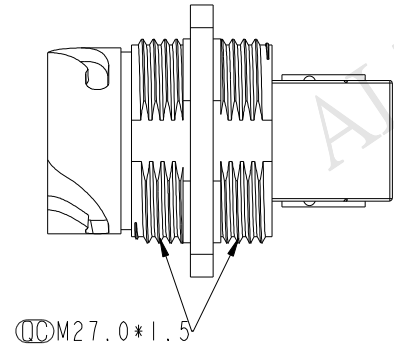
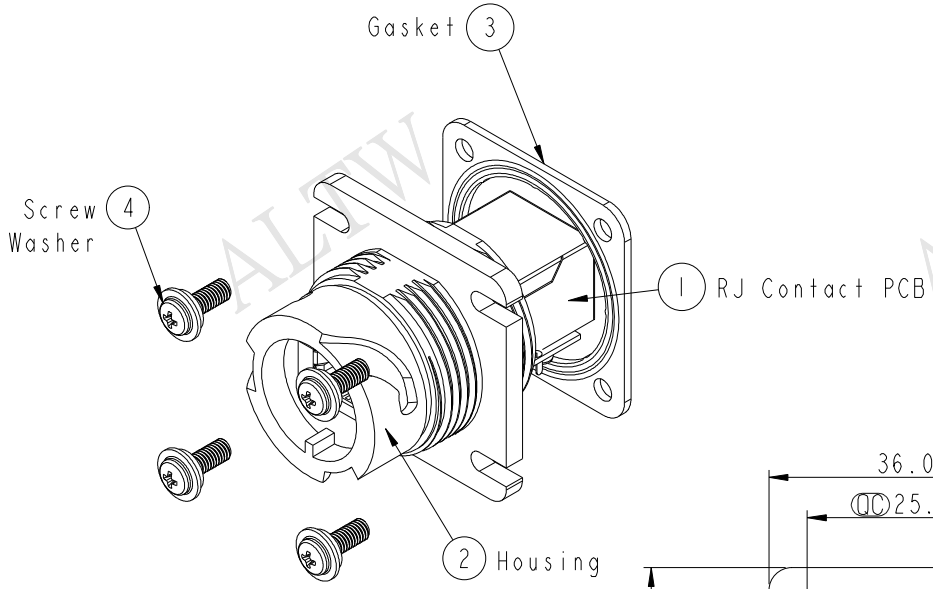


REV.	ECN NO.	DATE	SIGN	DESCRIPTION
C	LEN13A0046	2013-10-15	Raison	Modify Jack and Note
D	LEN1610151	2016-01-08	Ruru	Change Note
E	LEN16B0208	2016-11-22	Feng_Li	Modify Gasket Shape



- Note:
- \*  $\varnothing$  Important Dimension
  - \*  $\triangle C$  Waterproof Rate: IP67 Unmated
  - \* Housing: Nylon+GF, BLACK
  - \* RJ45 Jack: Cat 5e, Shield
  - \*  $\triangle D$  Gasket: Silicone, UL 94V-0, Black
  - \* Screw: M3.0x L=8.0mm
  - \* Contact: Phosphor Bronze, Gold Flash
  - \* Screw torsion value range: 1.5~2kgf-cm
  - \* Temperature Range: -40°C to 105°C
  - \* All Parts Should Meet RoHS Compliant

UNIT: mm		
TOLERANCE	.X ±0.25	.XX ±0.1
.XXX ±0.05		
ANGLES	±1°	

TITLE RJ45 ODVA, DOUBLE LOCK Unmated Waterproof			
SCALE 1:1	SIZE A4	SHEET 1 OF 1	
REV. E	WC-REV. B.4	$\varnothing$ : Inspection item	

**Amphenol LTW**  
安費諾亮泰企業股份有限公司

ITEM NO. ROP-5SDFFH-TSU7001	DRAWN BY Feng_Li	DATE 2016-11-22
DWG NO. ROP-5SDFFH-TSU7001	CHECKED BY Jinhai	DATE 2016-11-22
CUSTOMER ALTW	APPROVED BY Jerry	DATE 2016-11-22

THIS DOCUMENT IS SUBJECT TO CHANGE WITHOUT NOTICE. IT IS CONFIDENTIAL AND A PROPERTY OF Amphenol LTW. DISCLOSURE TO THIRD PARTY HAS TO BE AUTHORIZED BY Amphenol LTW.