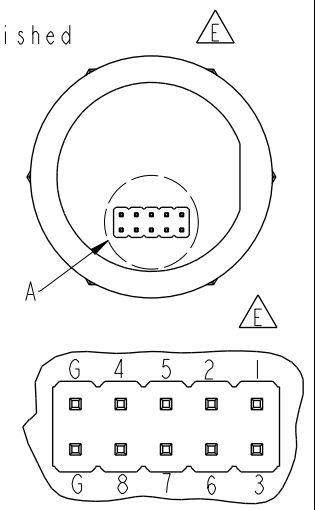
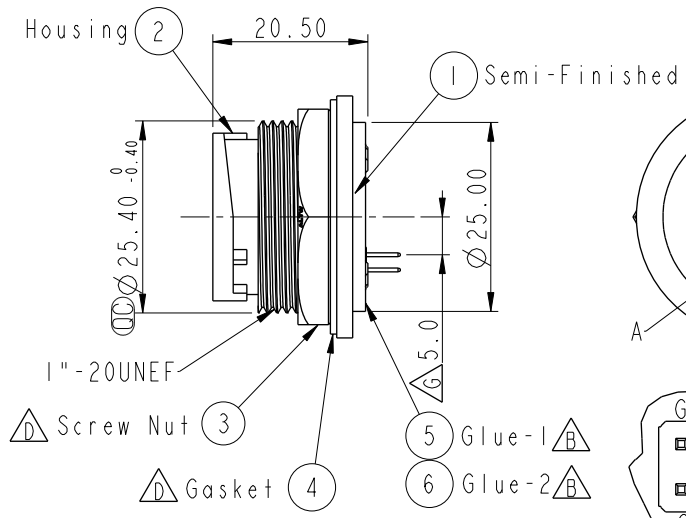
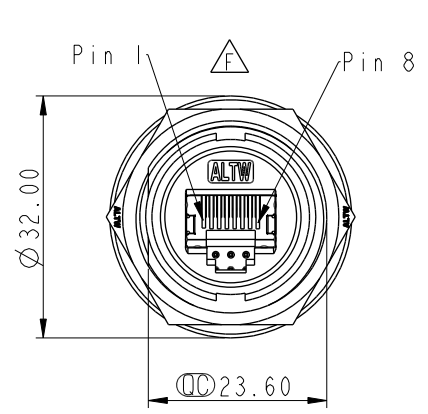
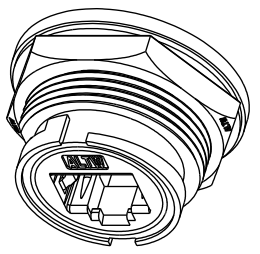
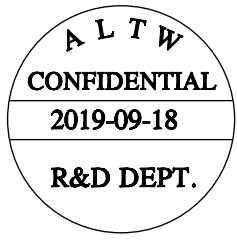
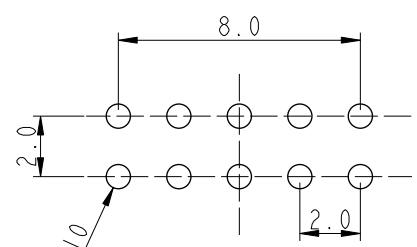


THIS DOCUMENT IS SUBJECT TO CHANGE WITHOUT NOTICE. IT IS CONFIDENTIAL AND A PROPERTY OF Amphenol LTW. DISCLOSURE TO THIRD PARTY HAS TO BE AUTHORIZED BY Amphenol LTW.

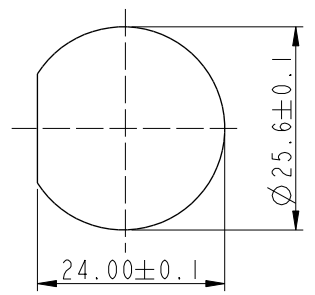
REV.	ECN NO.	DATE	SIGN	DESCRIPTION
D	LE31490115	2014/08/26	Feng_Li	Change Nut and Gasket
E	LEN1570125	2015/06/01	Jason.Yu	Add Wafer Pin View
F	LEN15A0235	2015/10/05	Ruru	Change Logo
G	CI91623	2019/09/18	Allen Pan	Add Pin Out Position Dimension



Detail "A"  
Scale 3:1



PCB Layout 4:1



Recommended Panel Cut-Out

- Notes:
- \*  $\varnothing$  Important Dimension.
  - \* Waterproof Rate: IP67.
  - \* RJ45 Sheet: Nickel Plated.
  - \* Wafer: Black.
  - \* RJ45 Insert: Black.
  - \* Liquid Glue: Black.
  - \* Screw Nut: Nylon+GF, Black.
  - \* Gasket: Silicone, Gray.
  - \* Use with Waterproof Cap or Dust Cap For Panel Thickness Max: 4.6mm.

UNIT: mm		
TOLERANCE	.X ±0.25	.XX ±0.1
.XXX ±0.05		
ANGLES	±1°	

TITLE PANEL LOCK F CONN F PIN			
SCALE 1:1	SIZE A4	SHEET 1	OF 1
REV. G	WC-REV. C.4	$\varnothing$ : Inspection item	

**Amphenol LTW**  
安費諾亮泰企業股份有限公司

ITEM NO. RJS-5EPFFP-LC7002	DRAWN BY Allen Pan	DATE 2019-09-18
DWG NO. RJS-5EPFFP-LC7002	CHECKED BY Fred Lee	DATE 2019-09-18
CUSTOMER ALTW	APPROVED BY Fred Lee	DATE 2019-09-18