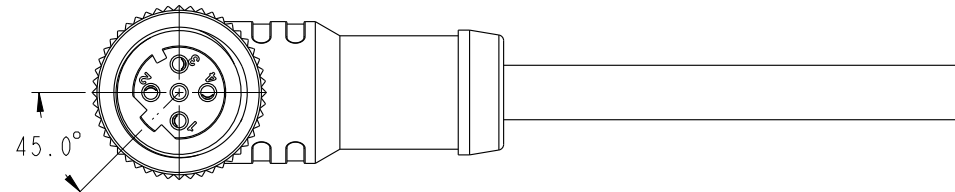
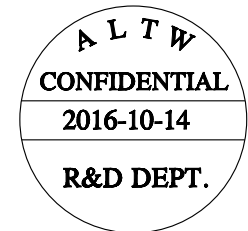
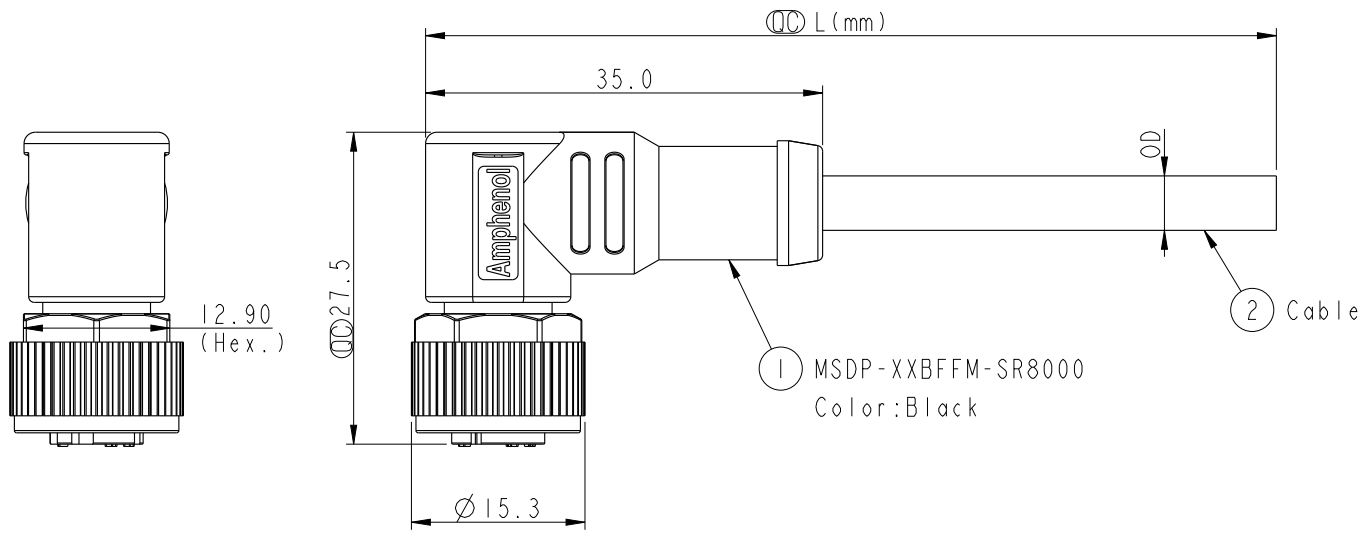


REV.	ECN NO.	DATE	SIGN	DESCRIPTION
A	Initial Release	2015/08/03	Feng_Li	Change Rev.01 To Rev.A
B	LEN16A0097-099	2016/10/14	Yulong_wang	Add 3, 5Pin, IP69K & Cat5e Cable.



- Notes:
- \*  $\varnothing$  Important Dimension.
  - $\triangle B$  \* Waterproof Rate: IP68, IP69K.
  - \* Connector: PU+GF, Black.
  - \* Female Pin: Copper Alloy, Gold Plated.
  - \* Screw Nut: Nylon, Black.
  - \* Outer Mold: PU, Black.
  - $\triangle B$  \* Cable: (A) UL2517,PVC Jacket, Yellow.  
(B) UL20549,PUR Jacket, Black.  
(D) UL2517,PVC Jacket, Black.  
(E) CAT5E, PU Jacket, Black.
  - $\triangle B$  \* Rated Voltage: 3 & 4Pin 250V dc. or ac.  
5Pin 60V dc. or ac.
  - \* Rated Current: 4A
  - \* Operating Temperature: -25~+85°C
  - \* Cable Length Tolerance: 01M:±40mm  
02M~05M:±60mm  
06M~10M:±100mm  
11M~30M:±200mm  
31M~99M:±500mm

UNIT:mm		
TOLERANCE		
±0.5mm		

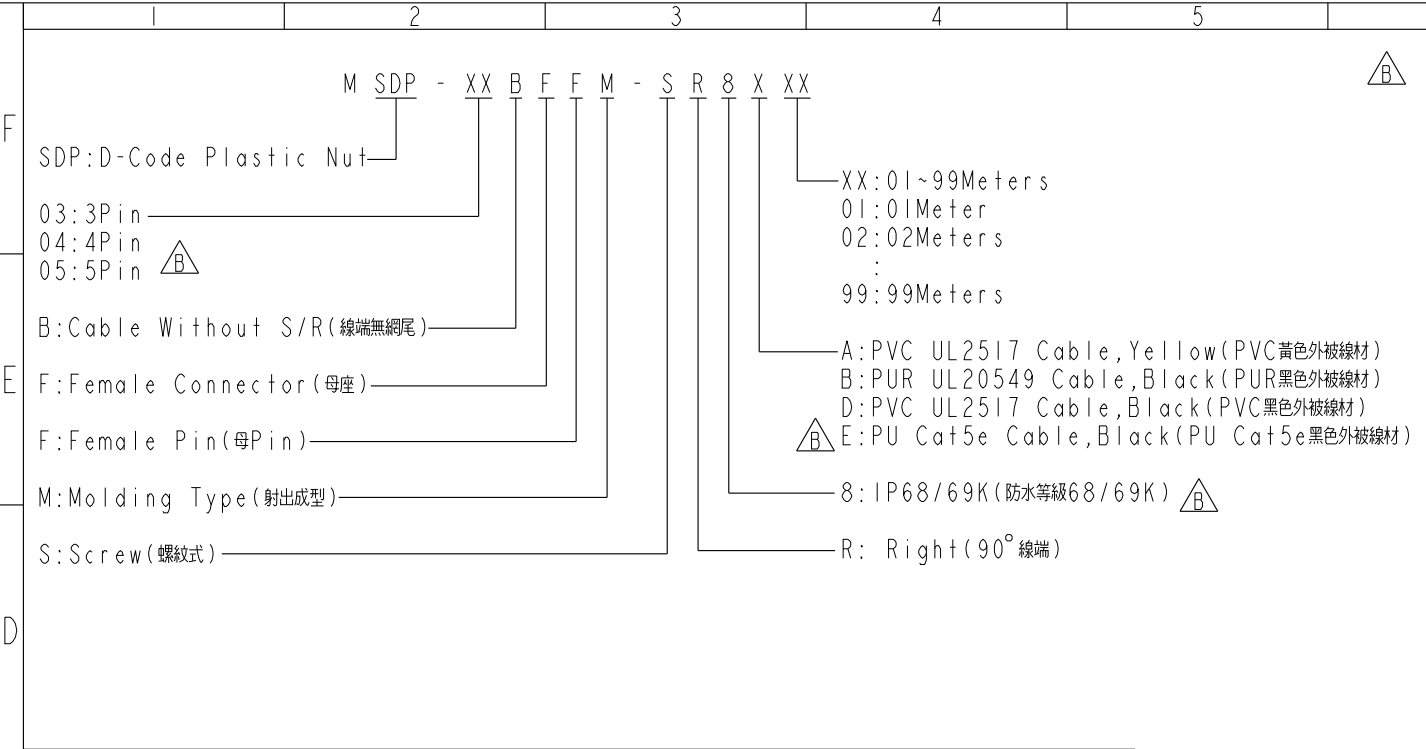
TITLE M12 D Type 90° Female Conn.			
SCALE 3:2	SIZE A4	SHEET 1 OF 2	
REV. B	WC-REV. A.2	$\varnothing$ : Inspection item	

**Amphenol LTW**  
安費諾亮泰企業股份有限公司

ITEM NO	DRAWN BY Yulong_wang	DATE 2016-10-14
DWG NO MSDP-XXBFFM-SR8XXX	CHECKED BY Jinhai	DATE 2016-10-14
CUSTOMER ALTW	APPROVED BY Jerry	DATE 2016-10-14

THIS DOCUMENT IS SUBJECT TO CHANGE WITHOUT NOTICE. IT IS CONFIDENTIAL AND A PROPERTY OF Amphenol LTW. DISCLOSURE TO THIRD PARTY HAS TO BE AUTHORIZED BY Amphenol LTW.

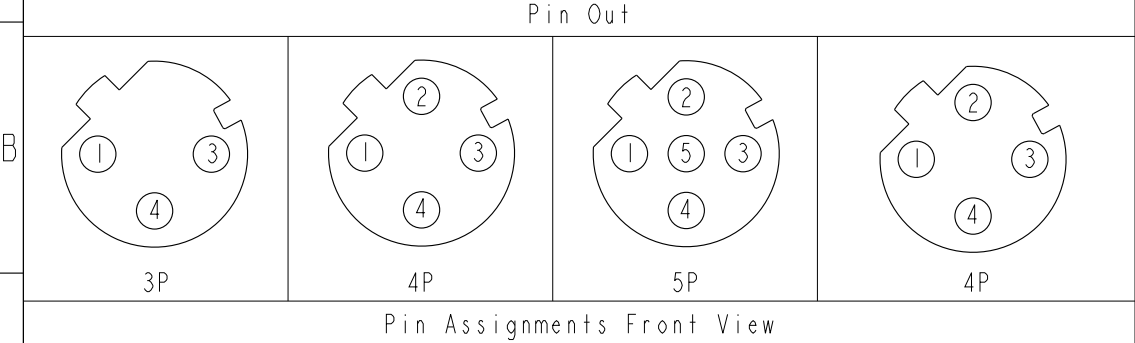
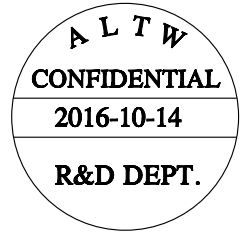
THIS DOCUMENT IS SUBJECT TO CHANGE WITHOUT NOTICE. IT IS CONFIDENTIAL AND A PROPERTY OF Amphenol LTW. DISCLOSURE TO THIRD PARTY HAS TO BE AUTHORIZED BY Amphenol LTW.



4P	PU	6.2	22	MSDP-04BFFM-SR8EXX
5P	PVC	5.1		MSDP-05BFFM-SR8DXX
4P		4.8		MSDP-04BFFM-SR8DXX
3P		4.5		MSDP-03BFFM-SR8DXX
5P	PUR	4.4		MSDP-05BFFM-SR8BXX
4P		4.0		MSDP-04BFFM-SR8BXX
3P	PVC	3.8		MSDP-03BFFM-SR8BXX
5P		5.1		MSDP-05BFFM-SR8AXX
4P		4.8		MSDP-04BFFM-SR8AXX
3P	4.5	MSDP-03BFFM-SR8AXX		
Contacts	Cable Jacket	Cable OD	AWG	Item No.

5	--	5	--	5	Gray	灰		
4	Black	4	Black	4	Black	黑	4	Green
3	Blue	3	Blue	3	Blue	藍	2	White/Green
2	--	2	White	2	White	白	3	Orange
1	Brown	1	Brown	1	Brown	棕	1	White/Orange
Pin #	Wire	Pin #	Wire	Pin #	Wire		Pin #	Wire (Cat5e)

Twist 對線  
Twist 對線



UNIT: mm		TITLE
TOLERANCE	±0.5mm	M12 D Type 90° Female Conn.
SCALE	3:2	SIZE A4
REV.	B	SHEET 2 OF 2
		WC-REV. A.2
		QC: Inspection item

**Amphenol LTW**  
安費諾亮泰企業股份有限公司

ITEM NO	DRAWN BY	DATE
DWG NO	CHECKED BY	DATE
CUSTOMER	APPROVED BY	DATE
ALTW	Yulong_wang	2016-10-14
	Jinhai	2016-10-14
	Jerry	2016-10-14