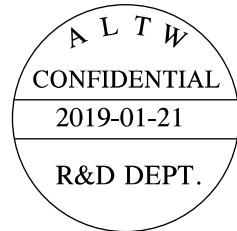
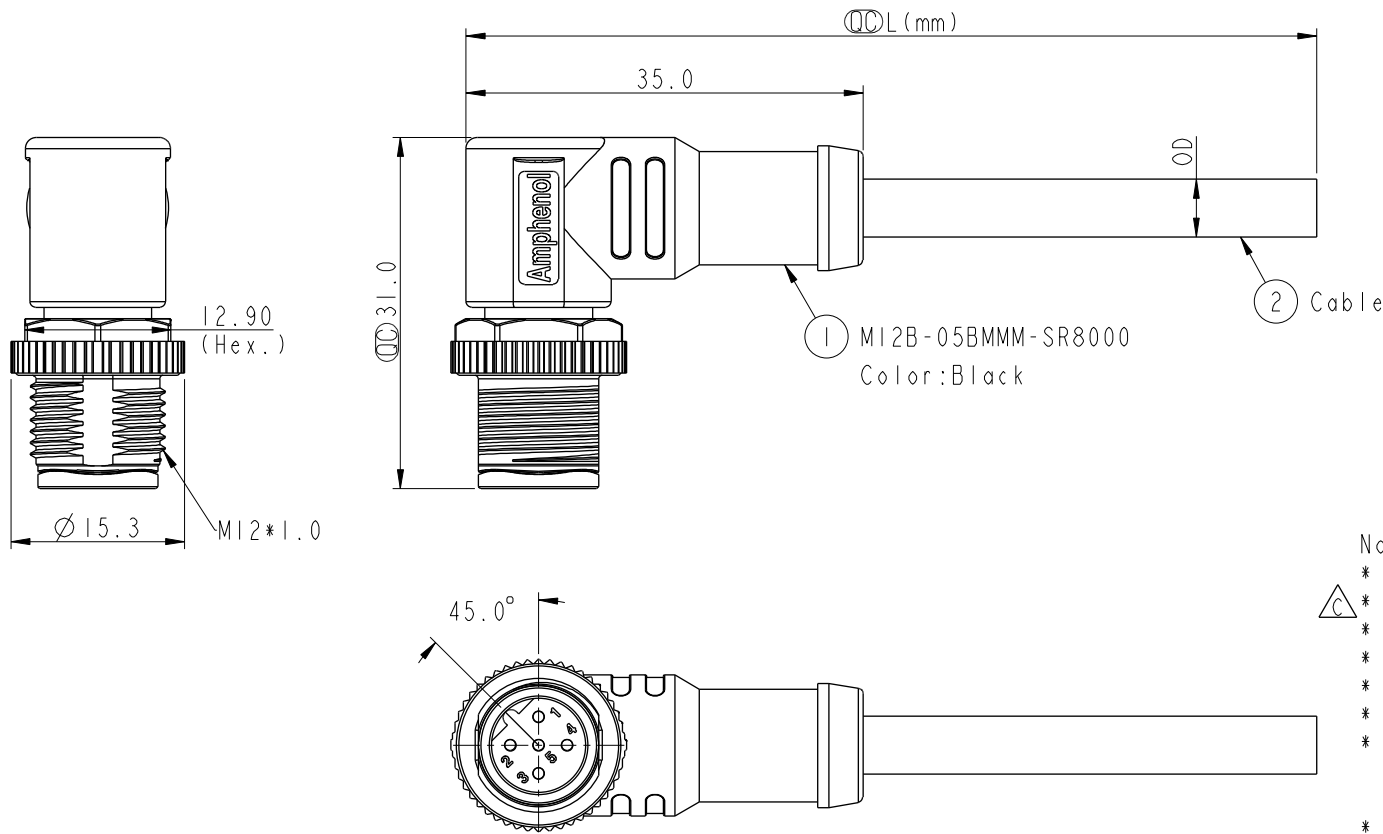


REV.	ECN NO.	DATE	SIGN	DESCRIPTION
A	Initial Release	2015-07-25	Feng_Li	Change Rev.01 To Rev.A
B	LEN1750121	2017-04-06	Lingpeng	Change The Cable OD
C		2019-01-21	Ruru	Modify The Waterproof Rating



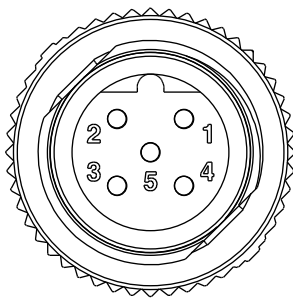
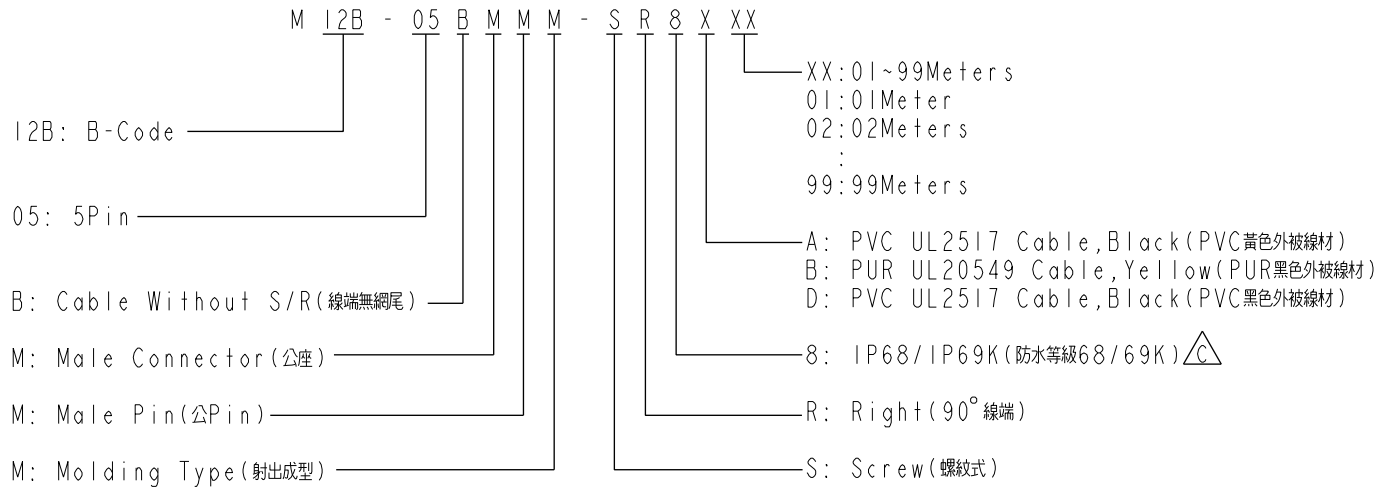
- Notes:
- * CC Important Dimension.
 - * Waterproof Rate: IP68, IP69K
 - * Connector: PU+GF, Black.
 - * Male Pin: Copper Alloy, Gold Plated.
 - * Screw Nut: Zinc Alloy, Nickel Plated.
 - * Outer Mold: PU, Black.
 - * Cable: (A) UL2517, PVC Jacket, Yellow.
(B) UL20549, PUR Jacket, Black.
(D) UL2517, PVC Jacket, Black.
 - * Rated Voltage: 60V dc. or ac.
 - * Rated Current: 4A
 - * Operating Temperature: -25~85°C
 - * Cable Length Tolerance: 01M: ±40mm
02M~05M: ±60mm
06M~10M: ±100mm
11M~30M: ±200mm
31M~99M: ±500mm

UNIT: mm TOLERANCE ±0.5mm	TITLE M12 B Type Cable 90° Male Conn.		Amphenol LTW 安費諾亮泰企業股份有限公司		ITEM NO	DRAWN BY Ruru	DATE 2019-01-21
	SCALE 3:2	SIZE A4			SHEET 1 OF 2	DWG NO M12B-05BMMM-SR8XXX	CHECKED BY Rita
	REV. C	WC-REV. A.2	CC : Inspection item	CUSTOMER ALTW	APPROVED BY Max	DATE 2019-01-21	

THIS DOCUMENT IS SUBJECT TO CHANGE WITHOUT NOTICE. IT IS CONFIDENTIAL AND A PROPERTY OF Amphenol LTW. DISCLOSURE TO THIRD PARTY HAS TO BE AUTHORIZED BY Amphenol LTW.

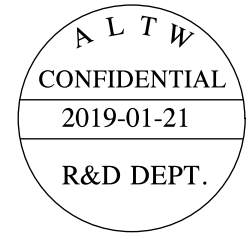
THIS DOCUMENT IS SUBJECT TO CHANGE WITHOUT NOTICE. IT IS CONFIDENTIAL AND A PROPERTY OF Amphenol LTW. DISCLOSURE TO THIRD PARTY HAS TO BE AUTHORIZED BY Amphenol LTW.

5P	PVC	5.1	22	M12B-05BMMM-SR8DXX
5P	PUR	4.4	22	M12B-05BMMM-SR8BXX
5P	PVC	5.1	22	M12B-05BMMM-SR8AXX
Contacts	Cable Jacket	Cable OD	AWG	Item No.



Pin Assignments
Front View

5	Gray	灰
4	Black	黑
3	Blue	藍
2	White	白
1	Brown	棕
Conn.	Wire Color	
Pin Out		



UNIT:mm	
TOLERANCE	±0.5mm

TITLE M12 B Type Cable 90° Male Conn.			
SCALE 3:2	SIZE A4	SHEET 2 OF 2	
REV. C	WC-REV. A.2	QC: Inspection item	

Amphenol LTW
安費諾亮泰企業股份有限公司

ITEM NO	DRAWN BY Ruru	DATE 2019-01-21
DWG NO M12B-05BMMM-SR8XXX	CHECKED BY Rita	DATE 2019-01-21
CUSTOMER ALTW	APPROVED BY Max	DATE 2019-01-21