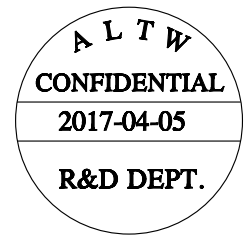
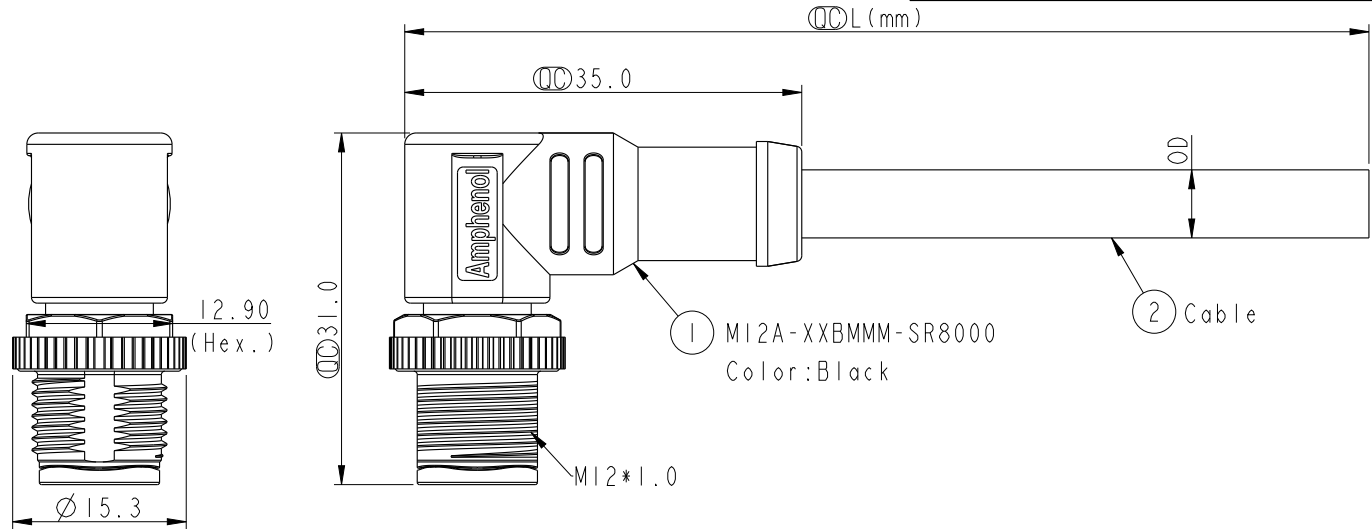
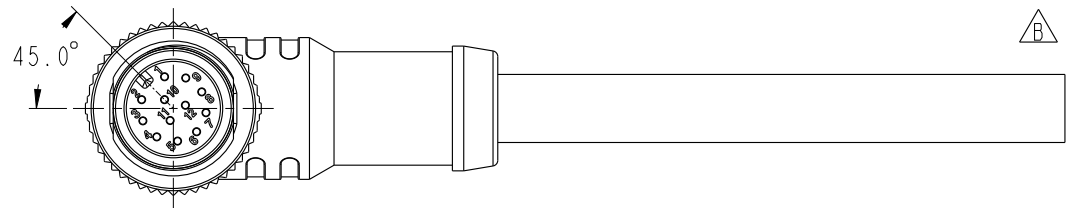


REV.	ECN NO.	DATE	SIGN	DESCRIPTION
B	LEN1580166~177	2015/08/10	Feng_Li	Add Black PVC Cable
C	LEN1680686~703	2016/08/13	Yulong_wang	Add 6Pin & IP69K.
D	LEN1750110~17	2017/04/05	Lingpeng	Change The Cable OD



Notes:

- * \varnothing Important Dimension.
- $\triangle C$ * Waterproof Rate: IP68, IP69K.
- * Connector: PU+GF, Black.
- * Male Pin: Copper Alloy, Gold Plated.
- * Screw Nut: Zinc Alloy, Nickel Plated.
- * Outer Mold: PU, Black.
- $\triangle B$ * Cable: (A) UL2517, PVC Jacket, Yellow.
(B) UL20549, PUR Jacket, Black.
(D) UL2517, PVC Jacket, Black.
- * Rated Voltage: 3 & 4Pin 250V dc. or ac.
5Pin 60V dc. or ac.
6~12Pin 30V dc. or ac.
- * Rated Current: 3~5Pin 4A
6~8Pin 2A
10~12Pin 1.5A
- * Operating Temperature: -25~85°C
- * Cable Length Tolerance: 01M:±40mm
02M~05M:±60mm
06M~10M:±100mm
11M~30M:±200mm



UNIT: mm		
TOLERANCE		
±0.5mm		

TITLE M12 A Type 90° Male Conn.		
SCALE 3:2	SIZE A4	SHEET 1 OF 3
REV. D	WC-REV. A.1	\varnothing : Inspection item

Amphenol LTW
安費諾亮泰企業股份有限公司

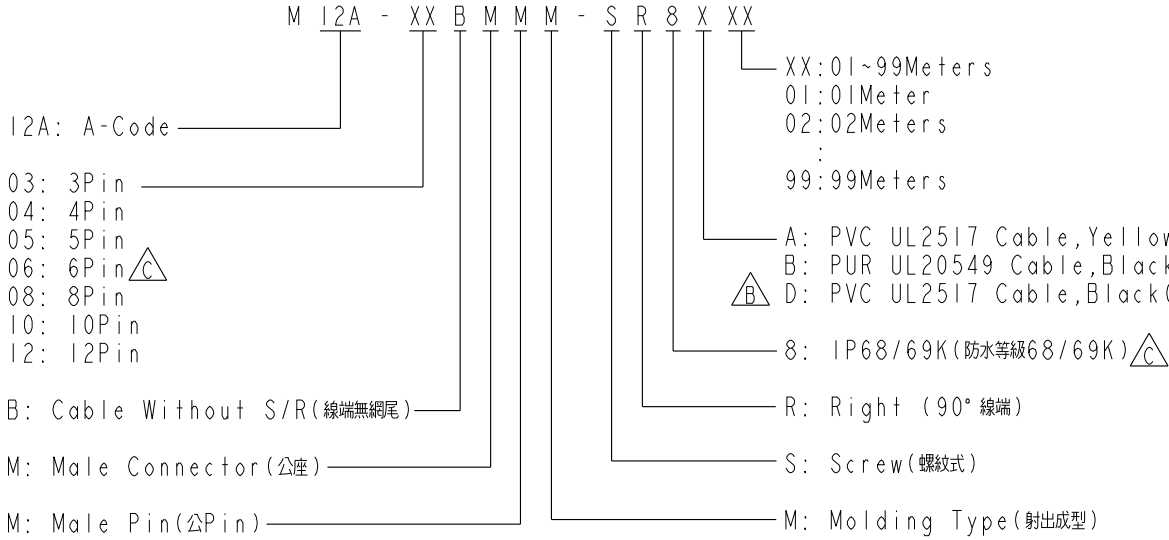
ITEM NO	DRAWN BY Lingpeng	DATE 2017-04-06
DWG NO M12A-XXBMMM-SR8XXX	CHECKED BY Ma Fei	DATE 2017-04-06
CUSTOMER ALTW	APPROVED BY Jerry	DATE 2017-04-06

THIS DOCUMENT IS SUBJECT TO CHANGE WITHOUT NOTICE. IT IS CONFIDENTIAL AND A PROPERTY OF Amphenol LTW. DISCLOSURE TO THIRD PARTY HAS TO BE AUTHORIZED BY Amphenol LTW.

F
E
D
C
B
A



Contacts	Cable Jacket	Cable OD	AWG	Item No.				
△B	PVC	12P	6.0	26	M12A-12BMMM-SR8DXX			
		10P			M12A-10BMMM-SR8DXX			
△C		8P	5.5	24	M12A-08BMMM-SR8DXX			
		6P			M12A-06BMMM-SR8DXX			
△D		5P	5.1	22	M12A-05BMMM-SR8DXX			
		4P			M12A-04BMMM-SR8DXX			
		3P			M12A-03BMMM-SR8DXX			
		12P			M12A-12BMMM-SR8BXX			
		10P			M12A-10BMMM-SR8BXX			
△C		PUR	8P	4.8	24	M12A-08BMMM-SR8BXX		
	6P		M12A-06BMMM-SR8BXX					
	△D		5P	4.4	22	M12A-05BMMM-SR8BXX		
			4P			M12A-04BMMM-SR8BXX		
	△D		3P	3.8	22	M12A-03BMMM-SR8BXX		
12P			M12A-12BMMM-SR8AXX					
10P			M12A-10BMMM-SR8AXX					
△C			8P			5.5	24	M12A-08BMMM-SR8AXX
			6P					M12A-06BMMM-SR8AXX
△C	PVC		5P	5.1	22	M12A-05BMMM-SR8AXX		
		4P	M12A-04BMMM-SR8AXX					
		3P	M12A-03BMMM-SR8AXX					



UNIT:mm		
TOLERANCE ±0.5mm		

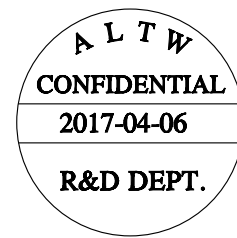
TITLE M12 A Type 90° Male Conn.			
SCALE 3:2	SIZE A4	SHEET 2 OF 3	
REV. D	WC-REV. A.1	QC: Inspection item	

Amphenol LTW
安費諾亮泰企業股份有限公司

ITEM NO	DRAWN BY Lingpeng	DATE 2017-04-06
DWG NO M12A-XXBMMM-SR8XXX	CHECKED BY Ma Fei	DATE 2017-04-06
CUSTOMER ALTW	APPROVED BY Jerry	DATE 2017-04-06

THIS DOCUMENT IS SUBJECT TO CHANGE WITHOUT NOTICE. IT IS CONFIDENTIAL AND A PROPERTY OF Amphenol LTW. DISCLOSURE TO THIRD PARTY HAS TO BE AUTHORIZED BY Amphenol LTW.

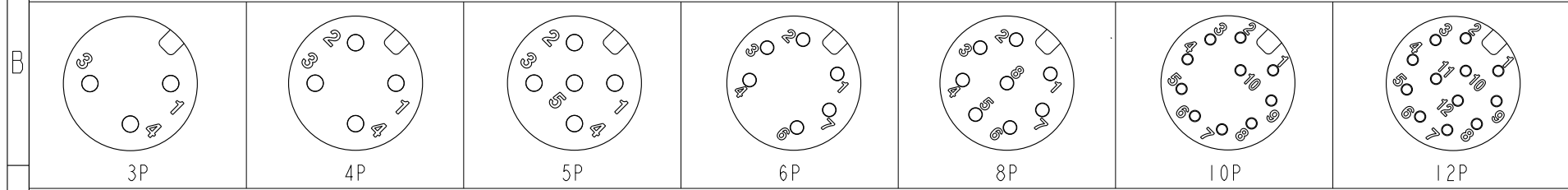
THIS DOCUMENT IS SUBJECT TO CHANGE WITHOUT NOTICE. IT IS CONFIDENTIAL AND A PROPERTY OF Amphenol LTW. DISCLOSURE TO THIRD PARTY HAS TO BE AUTHORIZED BY Amphenol LTW.



1	2	3	4	5	6	7	8
---	---	---	---	---	---	---	---

5 --	5 --	5 Gray	8 --	8 Red	12 --	12 Red/Blue	紅/藍
4 Black 黑	4 Black 黑	4 Black 黑	7 Blue 藍	7 Blue 藍	11 --	11 Gray/Pink 灰/粉	灰/粉
3 Blue 藍	3 Blue 藍	3 Blue 藍	6 Pink 粉	6 Pink 粉	10 Violet 紫	10 Violet 紫	紫
2 --	2 White 白	2 White 白	5 --	5 Gray 灰	9 Black 黑	9 Black 黑	黑
1 Brown 棕	1 Brown 棕	1 Brown 棕	4 Yellow 黃	4 Yellow 黃	8 Red 紅	8 Red 紅	紅
			3 Green 綠	3 Green 綠	7 Blue 藍	7 Blue 藍	藍
			2 Brown 棕	2 Brown 棕	6 Pink 粉	6 Pink 粉	粉
			1 White 白	1 White 白	5 Gray 灰	5 Gray 灰	灰
					4 Yellow 黃	4 Yellow 黃	黃
					3 Green 綠	3 Green 綠	綠
					2 Brown 棕	2 Brown 棕	棕
					1 White 白	1 White 白	白
Pin #	Wire	Wire	Pin #	Wire	Wire	Pin #	Wire

Pin Out



Pin Assignments Front View

UNIT:mm			TITLE M12 A Type 90° Male Conn.	Amphenol LTW 安費諾亮泰企業股份有限公司	ITEM NO	DRAWN BY Lingpeng	DATE 2017-04-06
TOLERANCE ±0.5mm			SCALE 3:2	SIZE A4	DWG NO M12A-XXBMMM-SR8XXX	CHECKED BY Ma Fei	DATE 2017-04-06
			REV. D	WC-REV. A.1	CUSTOMER ALTW	APPROVED BY Jerry	DATE 2017-04-06