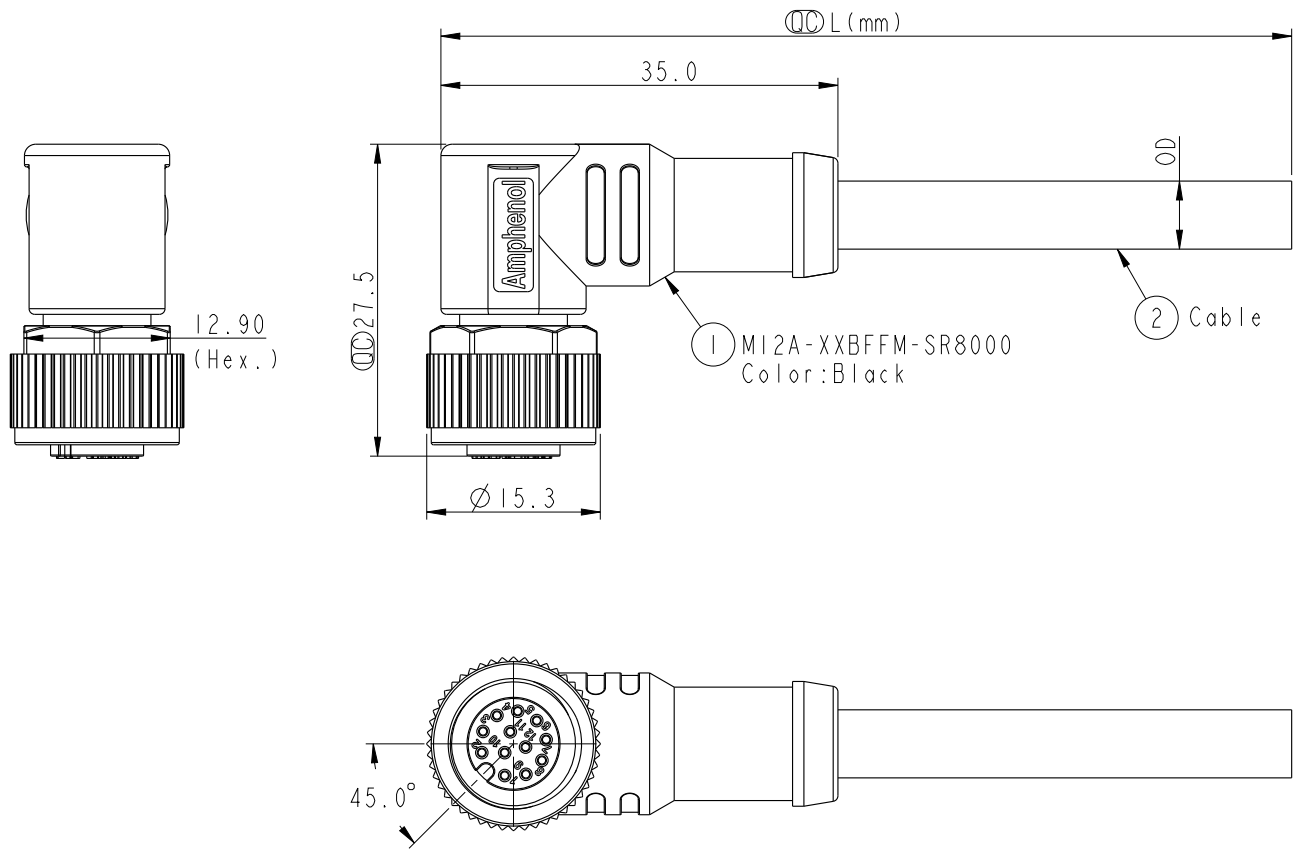


REV.	ECN NO.	DATE	SIGN	DESCRIPTION
B	LEN1580142 ~153	2015/08/10	Feng_Li	Add Black PVC Cable
C	LEN1680662~679	2016/08/13	Yulong_wang	Add 6Pin & IP69K.
D	LEN1750097~102	2017/04/06	Lingpeng	Change The Cable OD



① M12A-XXBFFM-SR8000  
Color:Black

② Cable



Notes:

- \*  $\varnothing$  Important Dimension.
- $\triangle C$  \* Waterproof Rate: IP68, IP69K.
- \* Connector: PU+GF,Black.
- \* Female Pin: Copper Alloy, Gold Plated.
- \* Screw Nut: Zinc Alloy, Nickel Plated.
- \* Outer Mold: PU,Black.
- $\triangle B$  \* Cable: (A) UL2517,PVC Jacket,Yellow.  
(B) UL20549,PUR Jacket,Black.  
(D) UL2517,PVC Jacket,Black.
- \* Rated Voltage: 3 & 4Pin 250V dc. or ac.  
5Pin 60V dc. or ac.  
6~12Pin 30V dc. or ac.
- \* Rated Current: 3~5Pin 4A  
6~8Pin 2A  
10~12Pin 1.5A
- \* Operating Temperature: -25~85°C
- \* Cable Length Tolerance: 01M:±40mm  
02M~05M:±60mm  
06M~10M:±100mm  
11M~30M:±200mm  
31M~99M:±500mm

UNIT:mm		
TOLERANCE ±0.5mm		

TITLE M12 A Type Cable 90° Female Conn.		
SCALE 3:2	SIZE A4	SHEET 1 OF 3
REV. D	WC-REV. A.2	$\varnothing$ : Inspection item

**Amphenol LTW**  
安費諾亮泰企業股份有限公司

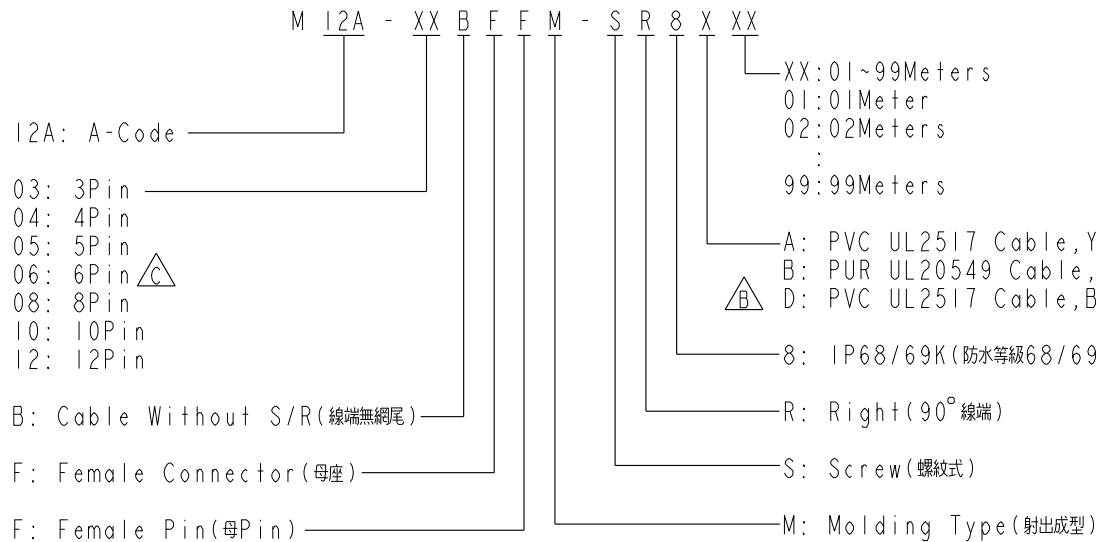
ITEM NO	DRAWN BY Lingpeng	DATE 2017-04-06
DWG NO M12A-XXBFFM-SR8XXX	CHECKED BY Ma Fei	DATE 2017-04-06
CUSTOMER ALTW	APPROVED BY Jerry	DATE 2017-04-06

THIS DOCUMENT IS SUBJECT TO CHANGE WITHOUT NOTICE. IT IS CONFIDENTIAL AND A PROPERTY OF Amphenol LTW. DISCLOSURE TO THIRD PARTY HAS TO BE AUTHORIZED BY Amphenol LTW.

F  
E  
D  
C  
B  
A



Contacts	Cable Jacket	Cable OD	AWG	Item No.			
△B	PVC	12P	6.0	26	M12A-12BFFM-SR8DXX		
		10P			M12A-10BFFM-SR8DXX		
△C		8P	5.5	24	M12A-08BFFM-SR8DXX		
		6P			M12A-06BFFM-SR8DXX		
△D		5P	5.1	22	M12A-05BFFM-SR8DXX		
		4P			M12A-04BFFM-SR8DXX		
		3P			M12A-03BFFM-SR8DXX		
		12P			M12A-12BFFM-SR8BXX		
△D		PUR	10P	6.0	26	M12A-10BFFM-SR8BXX	
			8P			M12A-08BFFM-SR8BXX	
	△C		6P	5.0	24	M12A-06BFFM-SR8BXX	
			5P			M12A-05BFFM-SR8BXX	
△D	4P		4.4	22	M12A-04BFFM-SR8BXX		
	3P				M12A-03BFFM-SR8BXX		
△C	PVC		12P	6.0	26	M12A-12BFFM-SR8AXX	
			10P			M12A-10BFFM-SR8AXX	
			△C	8P	5.5	24	M12A-08BFFM-SR8AXX
				6P			M12A-06BFFM-SR8AXX
△C		5P	5.1	22	M12A-05BFFM-SR8AXX		
		4P			M12A-04BFFM-SR8AXX		
		3P			M12A-03BFFM-SR8AXX		



UNIT:mm		TITLE
TOLERANCE	±0.5mm	M12 A Type Cable 90° Female Conn.
SCALE	3:2	SIZE A4
REV.	D	WC-REV. A.2
		SHEET 2 OF 3
		QC: Inspection item

**Amphenol LTW**  
安費諾亮泰企業股份有限公司

ITEM NO	DRAWN BY	DATE
DWG NO	CHECKED BY	DATE
CUSTOMER	APPROVED BY	DATE
ALTW	Lingpeng	2017-04-06
	Ma Fei	2017-04-06
	Jerry	2017-04-06

THIS DOCUMENT IS SUBJECT TO CHANGE WITHOUT NOTICE. IT IS CONFIDENTIAL AND A PROPERTY OF Amphenol LTW. DISCLOSURE TO THIRD PARTY HAS TO BE AUTHORIZED BY Amphenol LTW.

