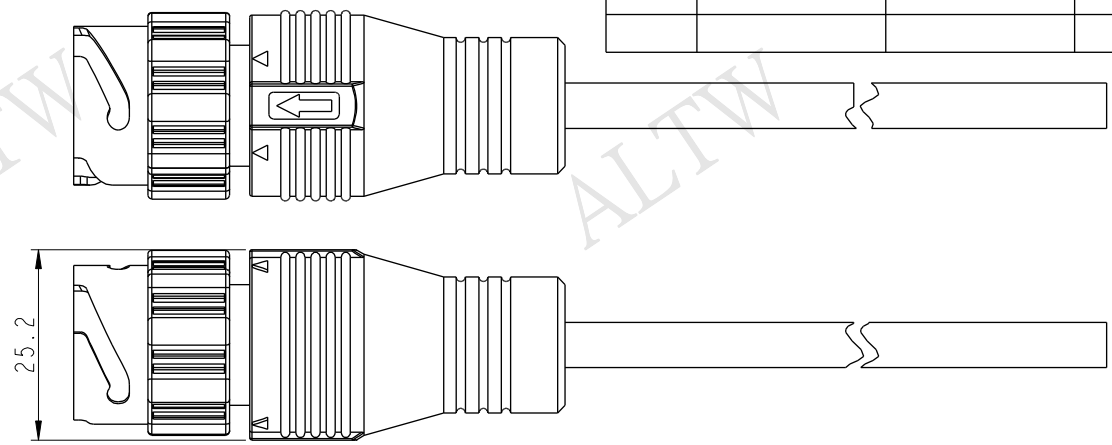


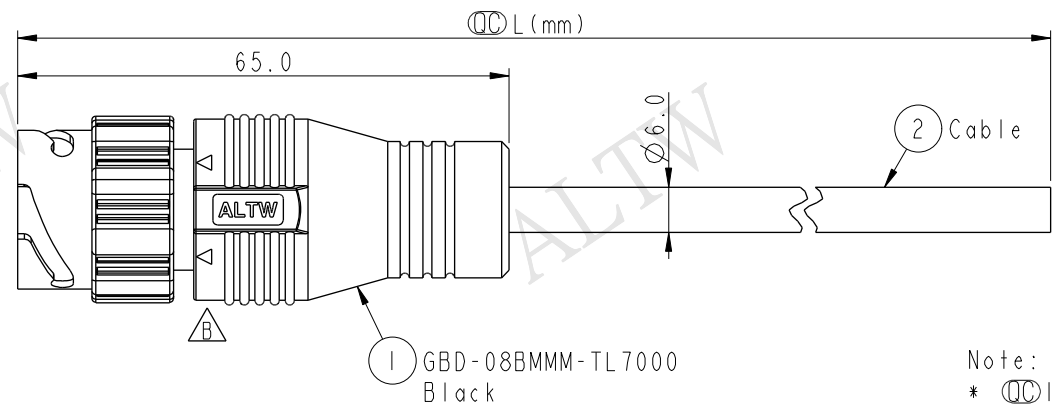
THIS DOCUMENT IS SUBJECT TO CHANGE WITHOUT NOTICE. IT IS CONFIDENTIAL AND A PROPERTY OF AMPHENOL LTW. DISCLOSURE TO THIRD PARTY HAS TO BE AUTHORIZED BY AMPHENOL LTW.

REV.	ECN NO.	DATE	SIGN	DESCRIPTION
B	LEN1560220~223	2015/06/02	Vicky	Update Logo

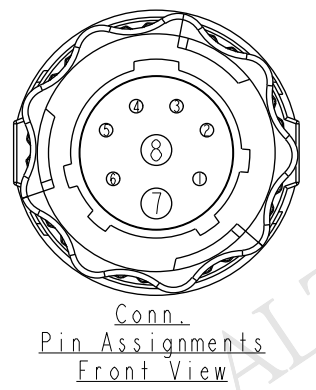
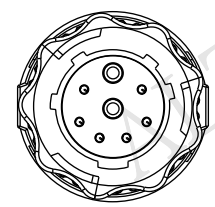
ALTW
 CONFIDENTIAL
 2015-06-02
 R&D DEPT.



GBD-08BMMM-TL7AXX
 XX: 01~99Meter
 01: 01Meter
 02: 02Meters
 ...
 99: 99Meters
 Cable Length(L): 01~99Meters



ALTW
 DCC. DEPT.
 CONFIDENTIAL
 2015.06.17
 ISSUED



1	Black (24AWG)	黑
2	Brown (24AWG)	棕
3	Red (24AWG)	紅
4	Orange (24AWG)	橘
5	Yellow (24AWG)	黃
6	Purple (24AWG)	紫
7	Green (20AWG)	綠
8	Blue (20AWG)	藍
Conn.	Wire Color	

- Note:
- * \varnothing Important Dimension To Check
 - * Waterproof Rate: IP67
 - * Connector: PBT+PC, Black
 - * Male Pin: Copper Alloy, Gold Plated
 - * Cable: UL2464 (20#*2C+24#*6C)+D+A, Black, PVC Jacket, UV Resistant, OD=6.0mm
 - * Cable Length Tolerance:
 - 01M: ±40mm
 - 02M~05M: ±60mm
 - 06M~10M: ±100mm
 - 11M~30M: ±200mm
 - 31M~99M: ±500mm

UNIT: mm
 TOLERANCE
 ±0.5 mm

TITLE 三點卡合 G Size Cable Lock 8P M Conn M Pin			
SCALE 1:1	SIZE A4	SHEET 1 OF 1	
REV. B	WC-REV. A.1	\varnothing : Inspection item	

Amphenol LTW
 安費諾亮泰企業股份有限公司

ITEM NO.	DRAWN BY Vicky	DATE 2015-06-02
DWG NO. GBD-08BMMM-TL7AXX	CHECKED BY Rita	DATE 2015-06-02
CUSTOMER ALTW	APPROVED BY Lion	DATE 2015-06-02