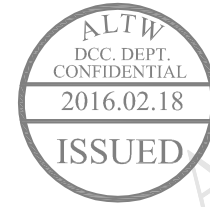
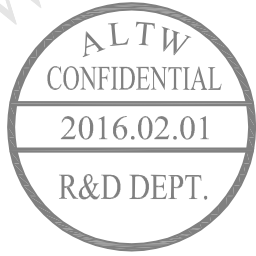
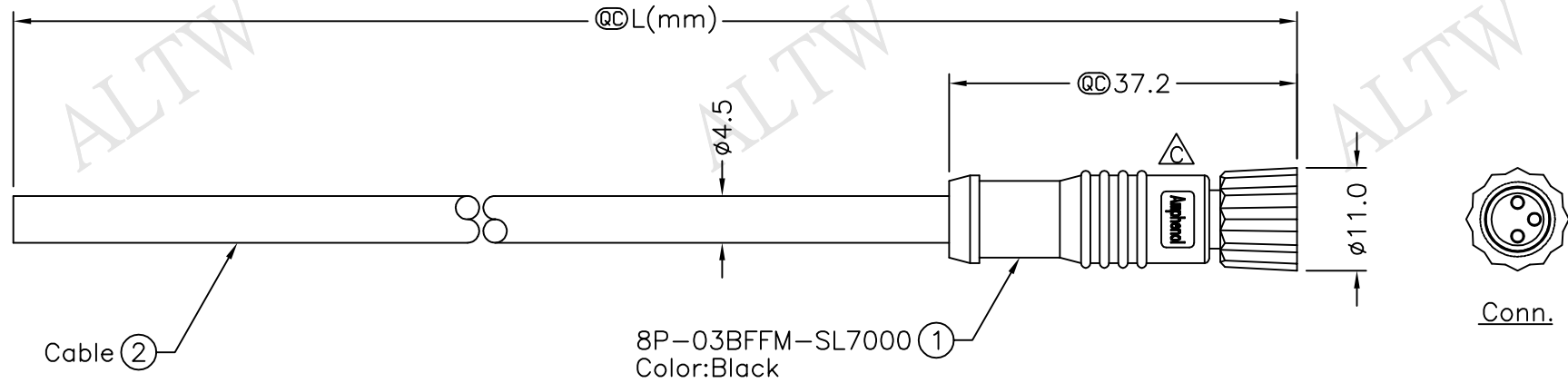
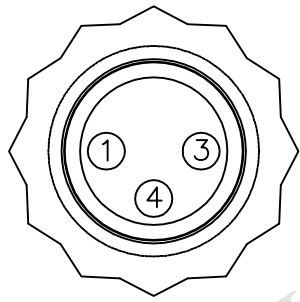


REV.	ECN NO.	DATE	SIGN	DESCRIPTION
B	LEN-920275~278	2009/02/09	Vicky	Update the drawing.
C	LEN1620165~168	2016/02/01	Ruru	Change Logo



8P-03BFFM-SL7BXX
 XX:01~99Meters
 01:01Meter
 02:02Meters
 ...
 99:99Meters
 Cable Length(L):01~99Meters



Pin Assignments
Front View

4	Black	黑
3	Blue	藍
1	Brown	棕
Conn.	Wire Color	
Pin Out		

- Notes:
- * Ⓞ Important Dimension.
 - * Waterproof Rate: IP67.
 - * Connector: PU, Black.
 - * Female Pin: Copper Alloy, Gold Plated.
 - * Cable: 22AWG*3C+Insulation, PU, OD=4.5mm, Black.
 - * ⚠ Cable Length Tolerance: 01M:±40mm
02M~05M:±60mm
06M~10M:±100mm
11M~30M:±200mm
31M~99M:±500mm

UNIT:mm	
TOLERANCE	±0.5 mm

TITLE	M8 Conn	
	Cable Screw 3P F Conn F Pin	
SCALE	Free	SHEET 1 OF 1
REV.	C	SIZE A4
		Ⓞ :Inspection Item

Amphenol LTW
 安費諾亮泰企業股份有限公司

ITEM NO	DRAWN BY	DATE
DWG NO	CHECKED BY	DATE
CUSTOMER	APPROVED BY	DATE
	Ruru	2016/02/01
8P-03BFFM-SL7BXX	Rita	2016/02/01
ALTW	Lisa	2016/02/01

THIS DOCUMENT IS SUBJECT TO CHANGE WITHOUT NOTICE. IT IS CONFIDENTIAL AND A PROPERTY OF Amphenol LTW. DISCLOSURE TO THIRD PARTY HAS TO BE AUTHORIZED BY Amphenol LTW.

F
E
D
C
B
A

1 2 3 4 5 6 7 8