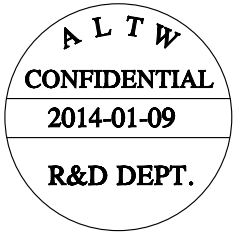
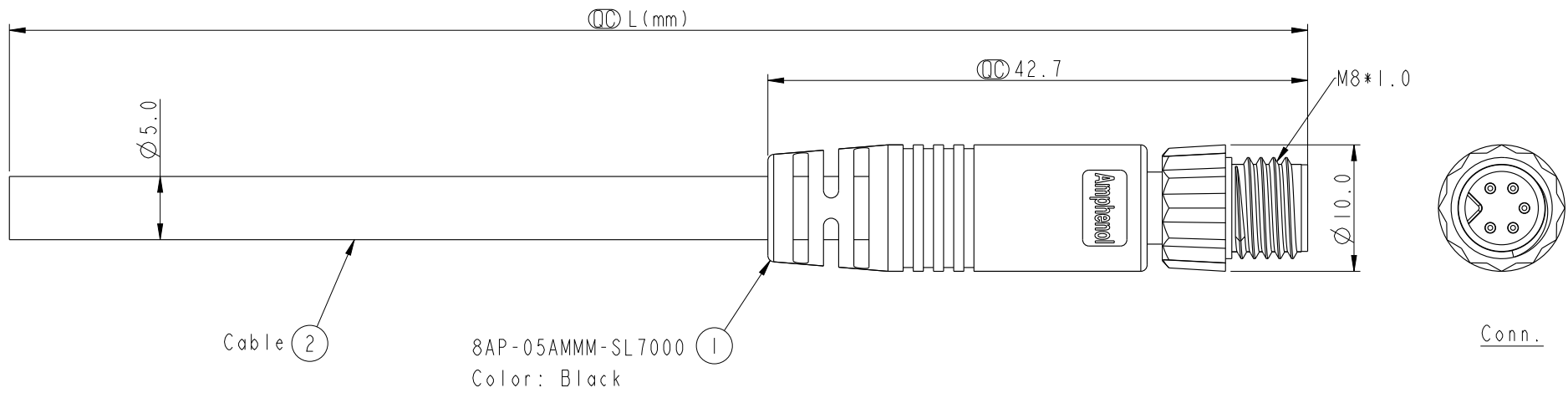


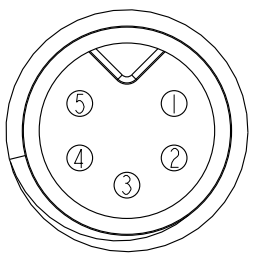
THIS DOCUMENT IS SUBJECT TO CHANGE WITHOUT NOTICE. IT IS CONFIDENTIAL AND A PROPERTY OF Amphenol LTW. DISCLOSURE TO THIRD PARTY HAS TO BE AUTHORIZED BY Amphenol LTW.

REV.	ECN NO.	DATE	SIGN	DESCRIPTION



8AP-05AMMM-SL7AXX
 XX: 01~99Meters
 01: 01Meter
 02: 02Meter
 ...
 99: 99Meters
 Cable Length(L): 01~99Meters

- Note:
- * (CC) Important Dimension.
 - * Waterproof Rate: IP67.
 - * Connector: PU, Black.
 - * Male Pin: Copper Alloy, Gold Plated.
 - * Screw Nut: Nylon+GF, Black.
 - * Cable: UL2464 24AWG*5C+Talcum, PVC Jacket, UV Resistant, OD=5.0, Black.
 - * Cable Length Tolerance: 01M: ±40mm
 02~05M: ±60mm
 06~10M: ±100mm
 11~30M: ±200mm
 31~99M: ±500mm



Pin Assignments
Front View

Pin	Wire Color
5	Yellow 黃
4	Orange 橘
3	Red 紅
2	Brown 棕
1	Black 黑
Conn.	Wire Color

Pin Out

UNIT:mm TOLERANCE ±0.5 mm	TITLE M8 5Pin Cable M Conn. M Pin		Amphenol LTW 安費諾亮泰企業股份有限公司		ITEM NO 8AP-05AMMM-SL7AXX	DRAWN BY Mila	DATE 2014-01-09
	SCALE 2:1	SIZE A4			SHEET 1 OF 1	CHECKED BY Jimmy	DATE 2014-01-09
	REV. A	WC-REV. A.2	(CC): Inspection item	CUSTOMER ALTW	APPROVED BY Jerry	DATE 2014-01-09	