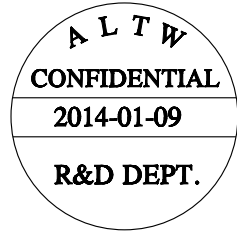
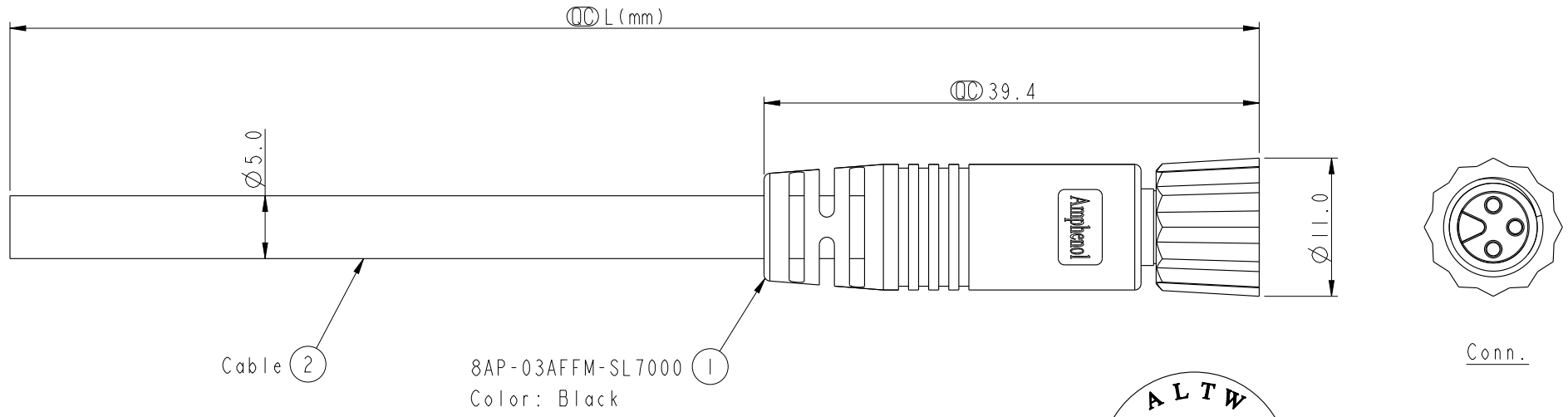


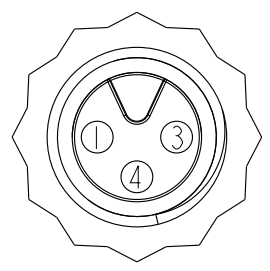
THIS DOCUMENT IS SUBJECT TO CHANGE WITHOUT NOTICE. IT IS CONFIDENTIAL AND A PROPERTY OF Amphenol LTW. DISCLOSURE TO THIRD PARTY HAS TO BE AUTHORIZED BY Amphenol LTW.

REV.	ECN NO.	DATE	SIGN	DESCRIPTION



8AP-03AFFM-SL7AXX
 XX: 01~99Meters
 01: 01Meter
 02: 02Meter
 ...
 99: 99Meters
 Cable Length(L): 01~99Meters

- Note:
- * Ⓞ Important Dimension.
 - * Waterproof Rate: IP67.
 - * Connector: PU, Black.
 - * Female Pin: Copper Alloy, Gold Plated.
 - * Screw Nut: Nylon+GF, Black.
 - * Cable: UL2464 22AWG*3C+Talcum, PVC Jacket, UV Resistant, OD=5.0, Black.
 - * Cable Length Tolerance: 01M: ±40mm
 02~05M: ±60mm
 06~10M: ±100mm
 11~30M: ±200mm
 31~99M: ±500mm



Pin	Wire Color
4	Black 黑
3	Blue 藍
1	Brown 棕
Conn.	Wire Color

UNIT:mm		TITLE	M8 3Pin Cable F Conn. F Pin
TOLERANCE	±0.5 mm	SCALE	2:1
		SIZE	A4
		SHEET	1 OF 1
		REV.	A
		WC-REV.	A.3
		①②③④	Inspection item

Amphenol LTW
 安費諾亮泰企業股份有限公司

ITEM NO	8AP-03AFFM-SL7AXX	DRAWN BY	Mila	DATE	2014-01-09
DWG NO	8AP-03AFFM-SL7AXX	CHECKED BY	Jimmy	DATE	2014-01-09
CUSTOMER	ALTW	APPROVED BY	Jerry	DATE	2014-01-09