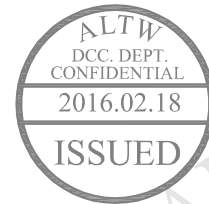
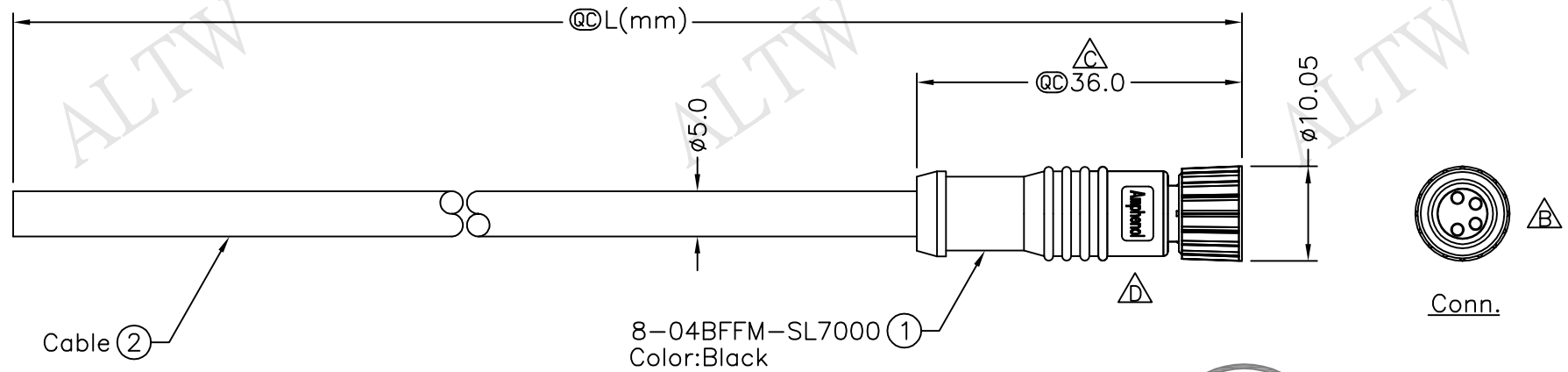


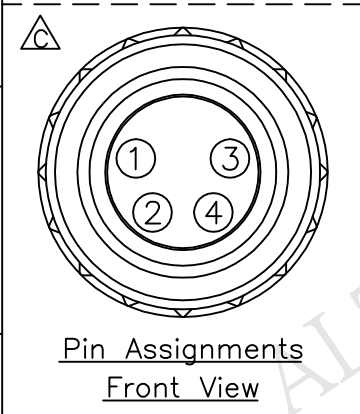
REV.	ECN NO.	DATE	SIGN	DESCRIPTION
B	LEN-780186	2007/08/17	J. Espiritu	Rotate Projection Of Conn. And Apply New Format
C	LEN-920039~042,075	2009/02/03	Vicky	Update the drawing.
D	LEN1620144~148	2016/02/01	Ruru	Change Logo



8-04BFFM-SL7AXX
 XX:01~99Meters
 01:01Meter
 02:02Meters
 :
 :
 99:99Meters
 Cable Length(L):01~99Meters

Notes:

- * @C Important Dimension.
- * Waterproof Rate: IP67.
- * Connector: PU, Black.
- * Female Pin: Copper Alloy, Gold Plated.
- * Cable: UL2464 22AWG*4C+Talcum, PVC Jacket, UV Resistant, OD=5.0mm, Black.
- * Cable Length Tolerance: 01M:±40mm
 02M~05M:±60mm
 06M~10M:±100mm
 11M~30M:±200mm
 31M~99M:±500mm



4	Black	黑
3	Blue	藍
2	White	白
1	Brown	棕
Conn.	Wire Color	
Pin Out		

UNIT:mm		TITLE	M8 Conn	
TOLERANCE		Cable Screw 4P F Conn F Pin		
±0.5 mm		SCALE	Free	SHEET 1 OF 1
		REV.	D	SIZE A4
		@C :Inspection Item		

Amphenol LTW
 安費諾亮泰企業股份有限公司

ITEM NO	DRAWN BY	DATE
	Ruru	2016/02/01
DWG NO	CHECKED BY	DATE
8-04BFFM-SL7AXX	Rita	2016/02/01
CUSTOMER	APPROVED BY	DATE
ALTW	Lisa	2016/02/01

THIS DOCUMENT IS SUBJECT TO CHANGE WITHOUT NOTICE. IT IS CONFIDENTIAL AND A PROPERTY OF Amphenol LTW. DISCLOSURE TO THIRD PARTY HAS TO BE AUTHORIZED BY Amphenol LTW.