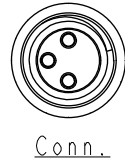
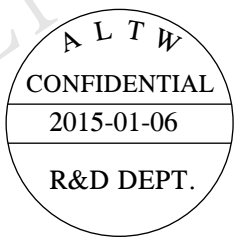
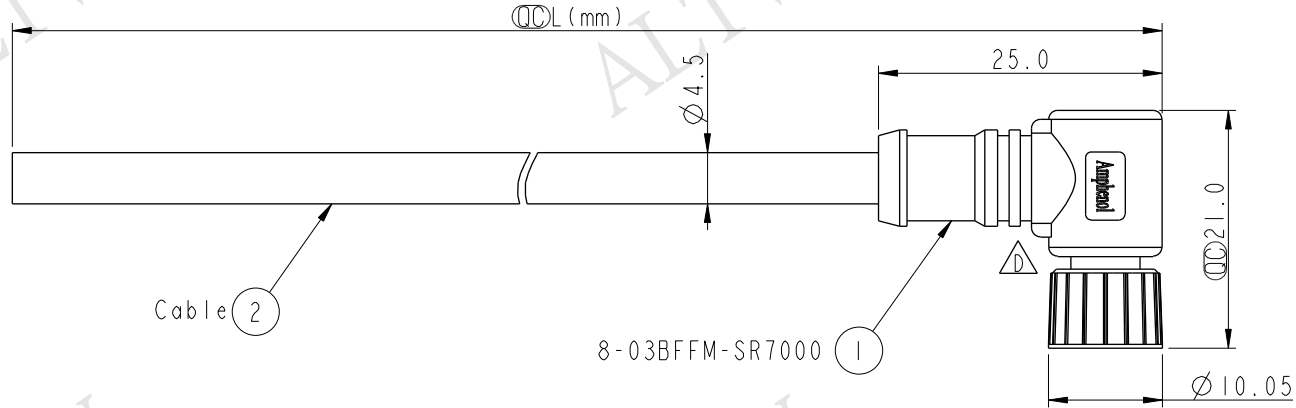
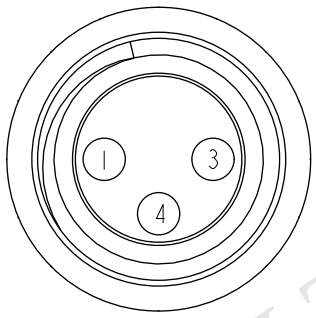


THIS DOCUMENT IS SUBJECT TO CHANGE WITHOUT NOTICE. IT IS CONFIDENTIAL AND A PROPERTY OF Amphenol LTW. DISCLOSURE TO THIRD PARTY HAS TO BE AUTHORIZED BY Amphenol LTW.

REV.	ECN NO.	DATE	SIGN	DESCRIPTION
B	LEN-780071	2007/04/27	Ferds	Change Pin Out Color & Apply New Standard.
C	LEN-920016~019	2009/02/02	Vicky	Update the drawing.
D	LEN1510236~239	2015/01/06	Sam	Update logo.



8-03BFFM-SR7BXX  
 XX: 01~99Meters  
 01: 01Meter  
 02: 02Meters  
 ...  
 99: 99Meters  
 Cable Length(L): 01~99Meters



Pin Assignments  
Front View

Pin	Wire Color	Pin Out
4	Black	黑
3	Blue	藍
1	Brown	棕
Conn.	Wire Color	

- Notes:
- \*  $\varnothing$  Important Dimension.
  - \* Waterproof Rate: IP67.
  - \* Connector: PU, Black.
  - \* Female Pin: Copper Alloy, Gold Plated.
  - \* Cable: 22AWG\*3C+Insulation, Black, PU, OD=4.5mm.
  - \* Cable Length Tolerance:
    - 01M: ±40mm
    - 02M~05M: ±60mm
    - 06M~10M: ±100mm
    - 11M~30M: ±200mm
    - 31M~99M: ±500mm

UNIT: mm TOLERANCE ±0.5 mm	TITLE M8 Conn Cable Screw 3P F Conn F Pin			Amphenol LTW 安費諾亮泰企業股份有限公司	ITEM NO	DRAWN BY	DATE
	SCALE 3:2	SIZE A4	SHEET 1 OF 1		DWG NO 8-03BFFM-SR7BXX	CHECKED BY Vicky	DATE 2015-01-06
	REV. D	WC-REV. A.1	$\varnothing$ : Inspection item		CUSTOMER ALTW	APPROVED BY Rita	DATE 2015-01-06