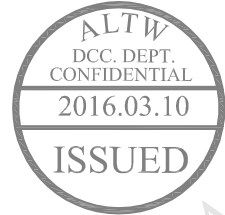
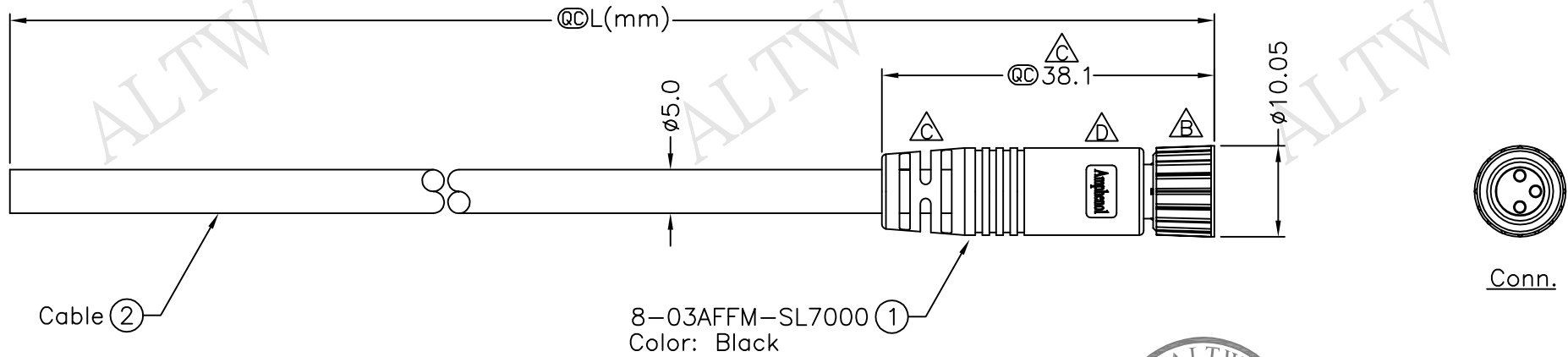


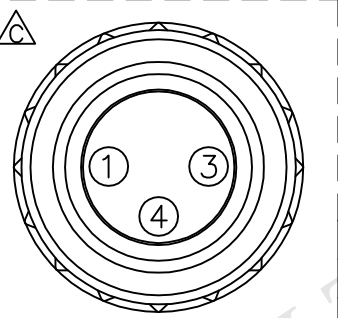
REV.	ECN NO.	DATE	SIGN	DESCRIPTION
B	LEN-710100~103	2007/01/12	R.Bondoc	Change Nut BAB0040NI00 To BEA00010016.
C	LEN-920185~188	2009/02/04	Vicky	Update the drawing.
D	LEN1630093~096	2016/02/18	Ruru	Change Logo

THIS DOCUMENT IS SUBJECT TO CHANGE WITHOUT NOTICE. IT IS CONFIDENTIAL AND A PROPERTY OF AMPHENOL LTW. DISCLOSURE TO THIRD PARTY HAS TO BE AUTHORIZED BY AMPHENOL LTW.



8-03AFFM-SL7AXX
 XX:01~99Meters
 01:01Meter
 02:02Meters
 :
 :
 99:99Meters
 Cable Length(L):01~99Meters

- Notes:
- * @C Important Dimension.
 - * Waterproof Rate:IP67.
 - * Connector:Black,PU.
 - * Female Pin:Copper Alloy,Gold Plated.
 - * Cable:UL2464 22AWG*3C+Talcum,Black, PVC Jacket,UV Resistant,OD=5.0mm.
 - * Cable Length Tolerance:
 - 01M:±40mm
 - 02M~05M:±60mm
 - 06M~10M:±100mm
 - 11M~30M:±200mm
 - 31M~99M:±500mm



Pin Assignments
Front View

4	Black	黑
3	Blue	藍
1	Brown	棕
Conn.	Wire Color	
	Pin Out	

UNIT:mm	
TOLERANCE	±0.5 mm

TITLE	M8 Conn Cable Screw 3P F Conn F Pin	
SCALE	Free	SHEET 1 OF 1
REV. D	SIZE A4	@C :Inspection Item

Amphenol LTW
 安費諾亮泰企業股份有限公司

ITEM NO	8-03AFFM-SL7AXX	DRAWN BY	Ruru	DATE	2016/02/18
DWG NO	8-03AFFM-SL7AXX	CHECKED BY	Rita	DATE	2016/02/18
CUSTOMER	ALTW	APPROVED BY	Lisa	DATE	2016/02/18