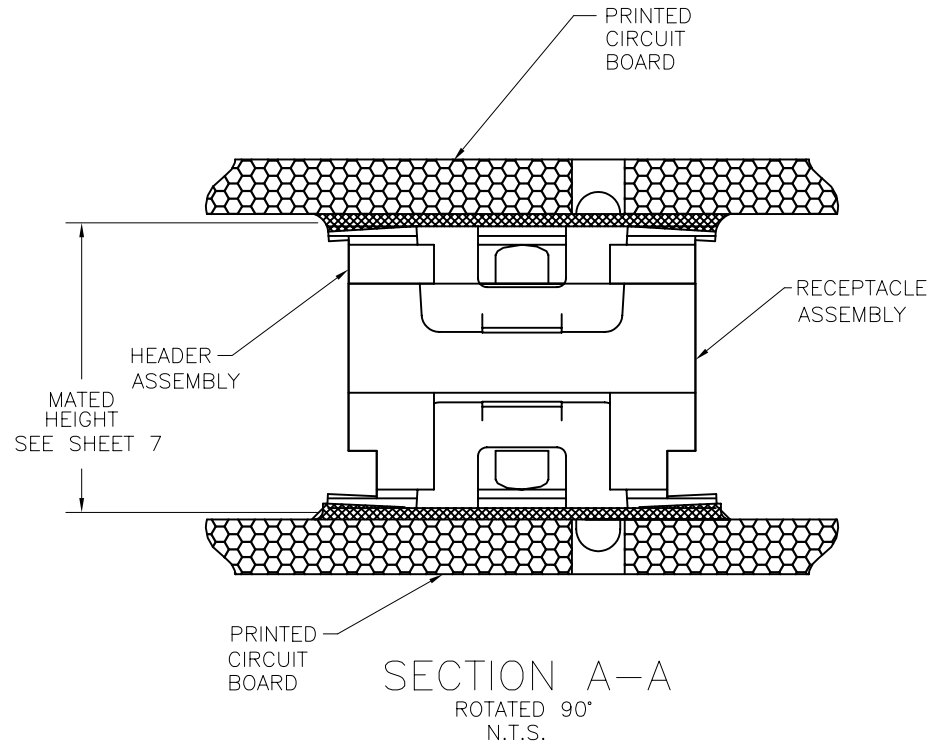
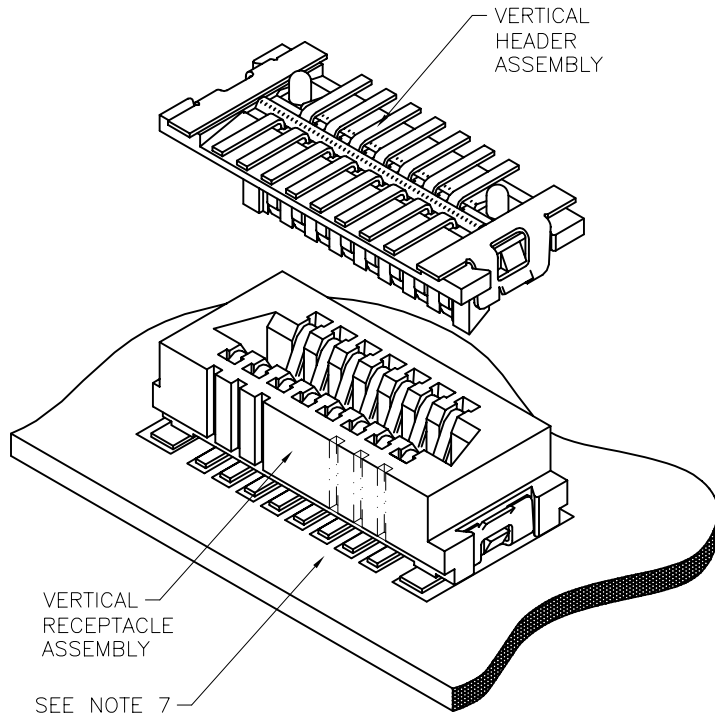


PRODUCT NUMBER  
SEE TABLE



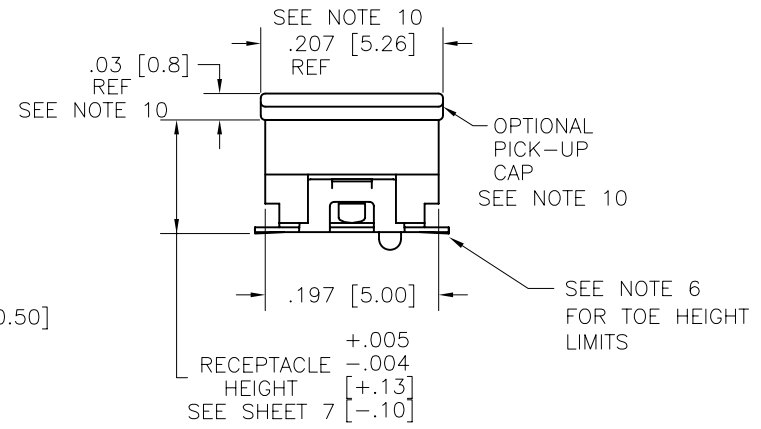
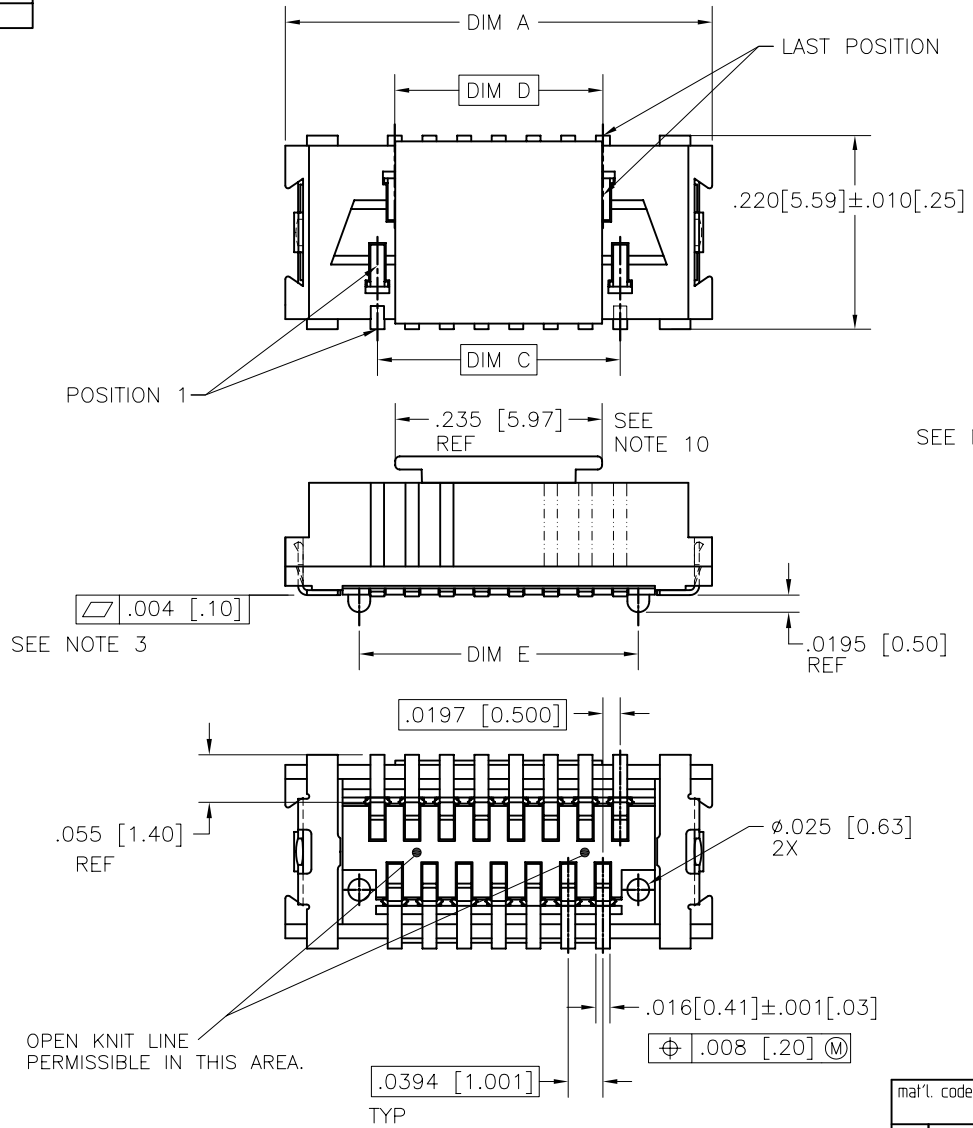
FCIconnect.com

Copyright FCI

form: A3

mat'l. code				surface ISO 1302 ✓		tolerance ISO 406 ISO 1101		projection 		product family CONAN	
ltr	ecn no	dr	date	tolerances unless otherwise specified						title	
X	V12858	CRG	12/20/01	angles	linear	.xx±.01/0.3		INCH/MM		CONAN™ CONNECTOR ASSEMBLY	
Y	V03-1347	AA	12/20/01			.xxx±.005/0.13		scale 5:1		dwg no sheet 1 of 7 size	
AA	M04-0190	MHT	9/24/04	0°±2'		.xxxx±.0020/0.051				91900 A3	
AB	M05-0110	MHT	5/26/05	dr	R.SEIPLE	11/13/91				type Product Customer Drawing	
AC	M06-0232	AGS	06/12/06	engr	D.HORCHLER	01/10/92					
AD	M06-0373	MHT	9/26/06	chr	D.HORCHLER	01/10/92					
AE	M08-0012	AGS	12/11/08	appd	D.HORCHLER	01/10/92					
sheet	revision	AE	AE	AE	AE	AE	AE	AE	AE		
index	sheet	1	2	3	4	5	6	7			

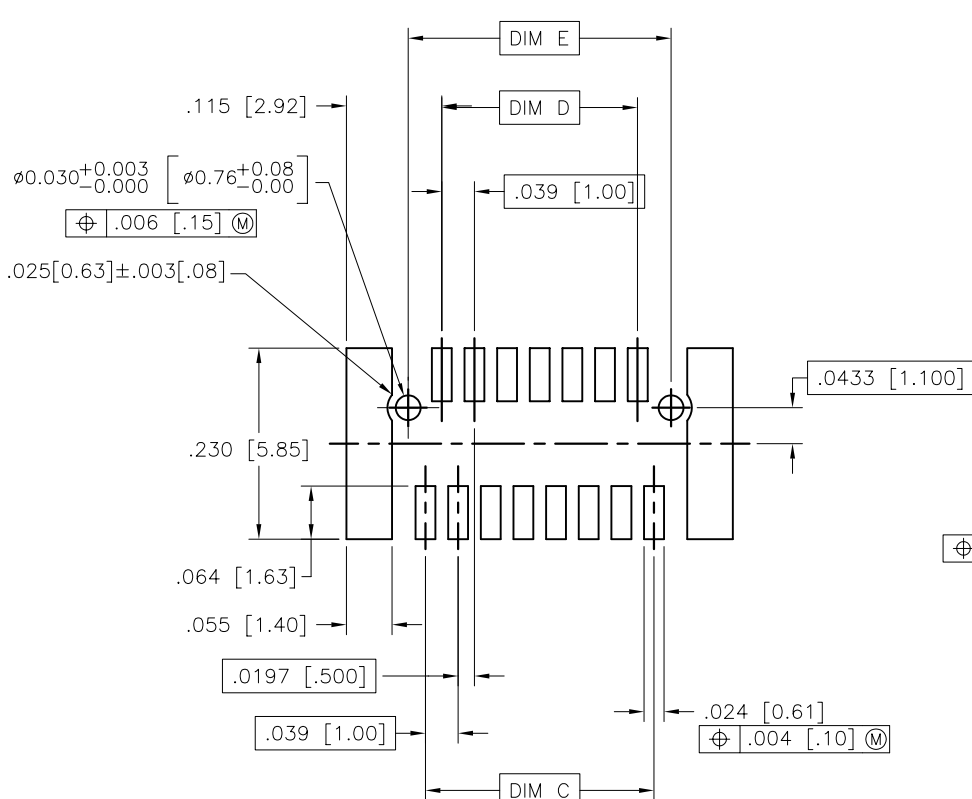
PRODUCT NUMBER  
SEE TABLE



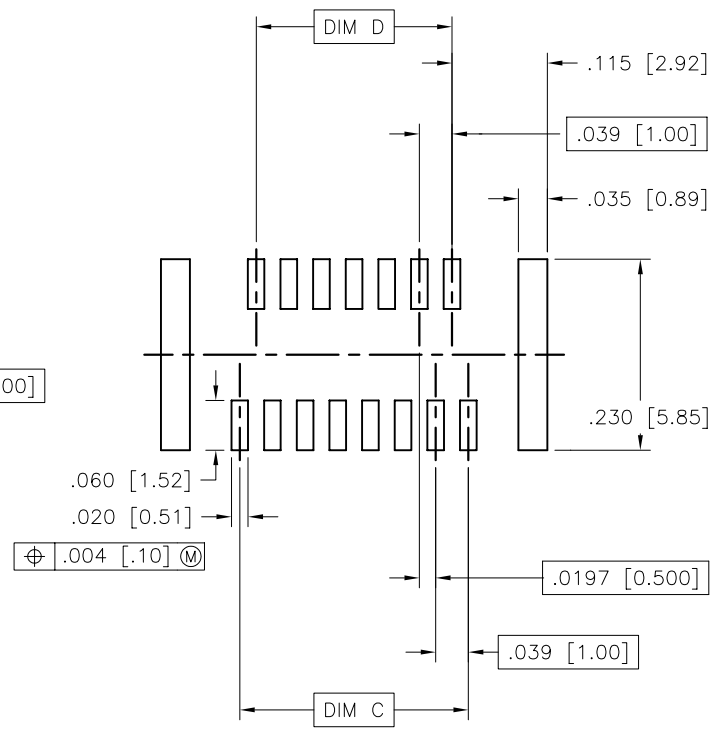
Copyright FCJ

mat'l. code		surface ISO 1802		tolerance ISO 406 ISO 1101		projection INCH/MM		product family CONAN	
ltr		ecn no		dr		date		title CONAN™ CONNECTOR ASSEMBLY	
AE								scale 5:1	
		angles		linear				sheet 2 of 7 size	
								91900 A3	
								type Product Customer Drawing	
sheet index		revision sheet							

PRODUCT NUMBER  
SEE TABLE



RECOMMENDED  
PAD LAYOUT



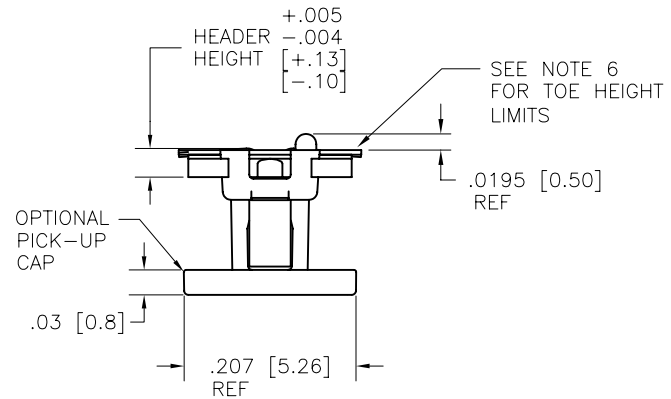
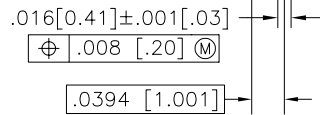
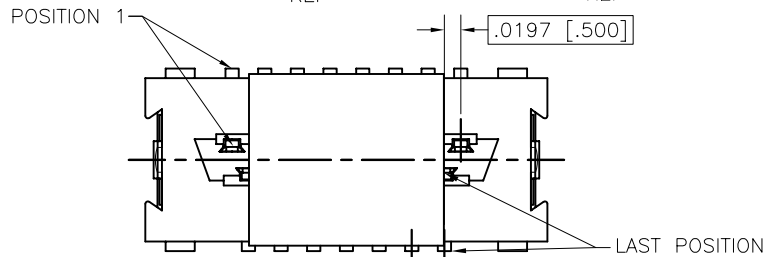
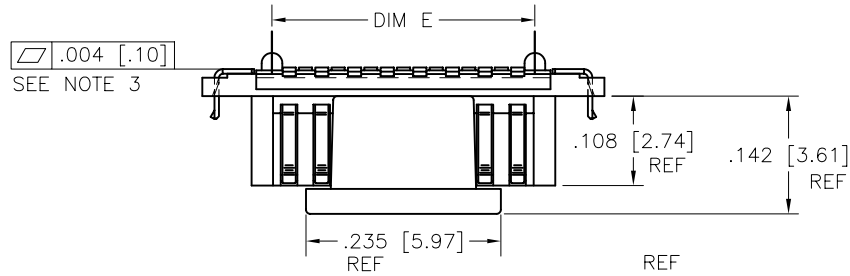
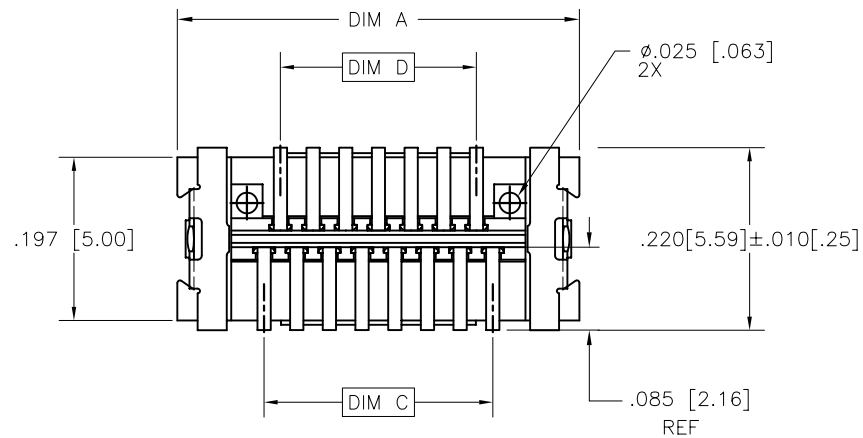
RECOMMENDED  
STENCIL LAYOUT  
FOR RECEPTACLE



Copyright FCI

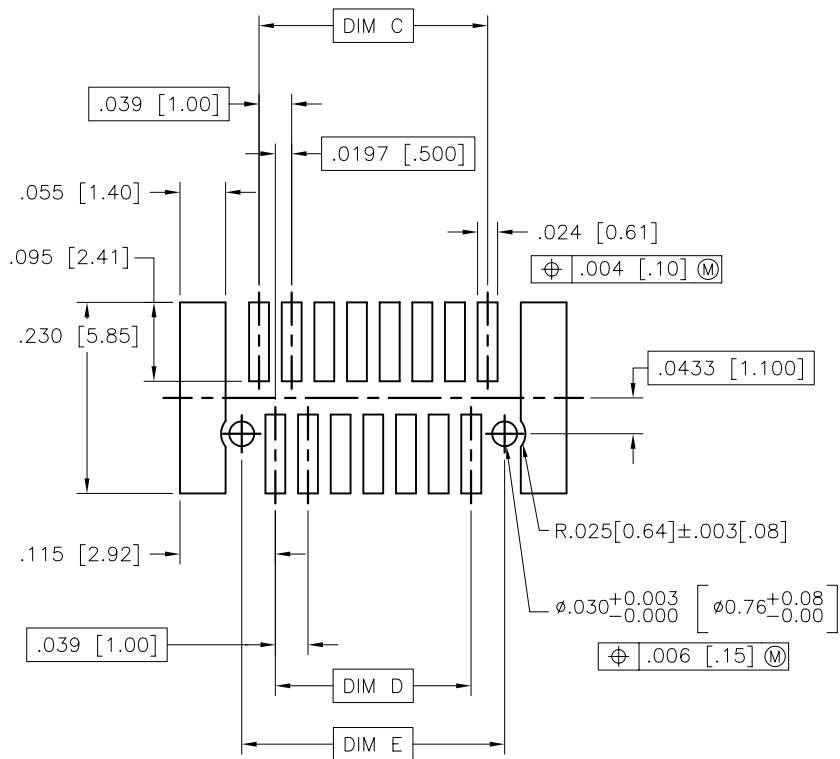
mat'l. code		surface ISO 1302		tolerance ISO 406 ISO 1101		projection FIRST ANGLE		product family CONAN	
ltr	ecn no	dr	date	tolerances unless otherwise specified				title CONAN™ CONNECTOR ASSEMBLY	
AE				angles	linear	.xx±.01/0.3 .xxx±.005/0.13 .xxxx±.0020/0.051		INCH/MM	
				Q'±2'		scale 5:1		dwg no 91900	
				dr	R.SEIPLE	11/13/91	sheet 3 of 7		size A3
				enr	D.HORCHLER	01/10/92	FCI		
				chr	D.HORCHLER	01/10/92	type Product Customer Drawing		
				appd	D.HORCHLER	01/10/92			
sheet index	revision sheet								

PRODUCT NUMBER  
SEE TABLE

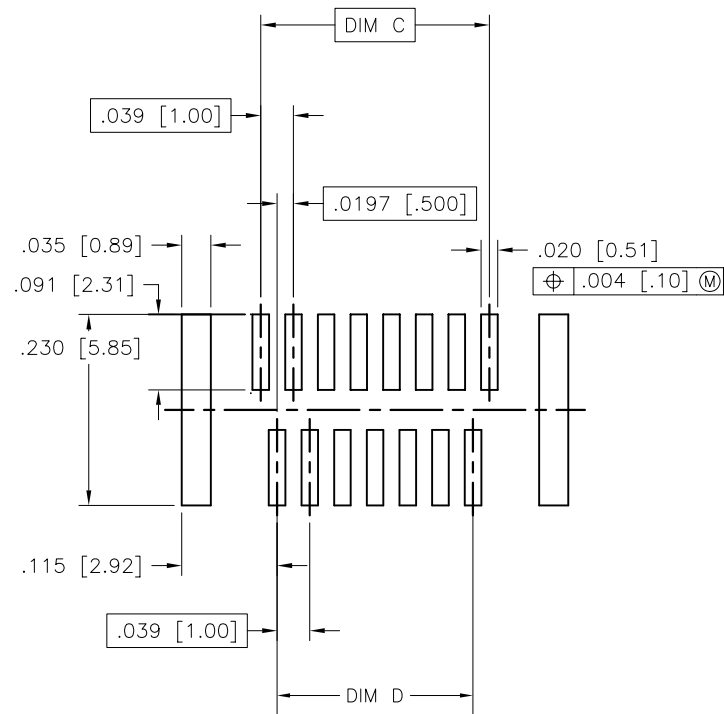


mat'l. code		surface ISO 1302		tolerance ISO 406 ISO 1101		projection FIRST ANGLE		product family CONAN	
ltr	ecn no	dr	date	tolerances unless otherwise specified				title CONAN™ CONNECTOR ASSEMBLY	
AE				angles	linear	.xx±.01/0.3 .xxx±.005/0.13 .xxxx±.0020/0.051		INCH/MM	
				0°±2°		scale 5:1		sheet 4 of 7 size	
				dr	R.SEIPLE	11/13/91		91900 A3	
				enr	D.HORCHLER	01/10/92		type Product Customer Drawing	
				chr	D.HORCHLER	01/10/92			
				appd	D.HORCHLER	01/10/92			
sheet index	revision sheet								

PRODUCT NUMBER  
SEE TABLE



RECOMMENDED  
PAD LAYOUT



RECOMMENDED  
STENCIL LAYOUT  
FOR HEADER



Copyright FCI

mat'l. code		surface ISO 1302		tolerance ISO 406 ISO 1101		projection FIRST ANGLE		product family CONAN	
ltr	ecn no	dr	date	tolerances unless otherwise specified		INCH/MM		title CONAN™ CONNECTOR ASSEMBLY	
AE				angles	linear	.xx±.01/0.3 .xxx±.005/0.13 .xxxx±.0020/0.051		scale 5:1	
				Q'±2'				dwg no 91900	
				dr	R.SEIPLE	11/13/91	sheet 5 of 7		size A3
				enr	D.HORCHLER	01/10/92	type Product Customer Drawing		
				chr	D.HORCHLER	01/10/92			
				appd	D.HORCHLER	01/10/92			
sheet index	revision sheet								

PRODUCT NUMBER	POS	DIM "A"	DIM "C"	DIM "D"	DIM "E"
919TC-WXY09	9	.366 [9.30]	.157 [4.00]	.118 [3.00]	.1990 [5.055]
-WXY09LF					
-WXY11	11	.406 [10.30]	.197 [5.00]	.157 [4.00]	.2380 [6.045]
-WXY11LF					
-WXY15	15	.484 [12.30]	.276 [7.00]	.236 [6.00]	.3170 [8.052]
-WXY15LF					
-WXY21	21	.602 [15.30]	.394 [10.00]	.354 [9.00]	.4350 [11.049]
-WXY21LF					
-WXY25	25	.681 [17.30]	.472 [12.00]	.433 [11.00]	.5140 [13.056]
-WXY25LF					
-WXY31	31	.800 [20.30]	.591 [15.00]	.551 [14.00]	.6320 [16.053]
-WXY31LF					
-WXY41	41	.996 [25.30]	.787 [20.00]	.748 [19.00]	.8290 [21.057]
-WXY41LF					
-WXY51	51	1.193 [30.30]	.984 [25.00]	.945 [24.00]	1.0260 [26.060]
-WXY51LF					
-WXY69	69	1.547 [39.30]	1.339 [34.00]	1.299 [33.00]	1.3800 [35.052]
-WXY69LF					

NOTES:

- MATERIALS:  
 RECEPTACLE HOUSING - LCP, UL-94V-0. COLOR: NATURAL.  
 RECEPTACLE TERMINALS - COPPER ALLOY, PLATED WITH 15u"/.38u GXT™ IN CONTACT AREA AND 100u"/2.54u Sn ON SOLDER LEGS WITH AN OVERALL 50u"/1.27u Ni UNDERPLATE.  
 HEADER HOUSING - LCP, UL-94V-0. COLOR: NATURAL.  
 HEADER TERMINALS - COPPER ALLOY, PLATED WITH 15u"/.38u GXT™ IN CONTACT AREA AND 100u"/2.54u Sn ON SOLDER LEGS WITH AN OVERALL 50u"/1.27u Ni UNDERPLATE.  
 RETENTION DEVICE - BRASS, PLATED WITH 100u"/2.54u Sn OVER NICKEL.
- REFERENCE GS-12-006 FOR PRODUCT PERFORMANCE DATA.
- SEE TA-774 FOR FURTHER DESCRIPTION OF HOW THIS DIMENSION IS APPLIED.
- PICK AND PLACE CAP OR TAPE IS ONLY AVAILABLE WITH OPTION 3 PACKAGING. (PSA ADHESIVE SEALED). ALSO, PSA PACKAGING REQUIRES A PICK AND PLACE CAP.
- RECOMMENDED SOLDER PASTE THICKNESS IS .006 TO .008 INCHES THICK.
- THE TOE HEIGHT OF THE SOLDER TAIL SHALL BE MEASURED FROM THE LOWEST POINT OF THE .004 CO-PLANARITY GRAVITY PLANE. THIS MEASUREMENT IS NOT TO EXCEED A WINDOW OF .000 TO .007 INCHES.
- THREE SLOTS MAY BE LOCATED AT EITHER END OF HOUSING.
- 5.50mm MATED HEIGHT IS ONLY AVAILABLE IN 9, 15 AND 31 POS.
- 7.50mm MATED HEIGHT IS ONLY AVAILABLE IN 9 POS.
- APPLIES TO 91921-3XYZZ AND 91931- 3XYZZ OPTIONS ONLY.
- PART NUMBERS WITH "LF" SUFFIX IN THE END ARE LEAD FREE OPTION. SEE CONAN ASSY P/N NUMBERS
- THE HOUSING WILL WITHSTAND EXPOSURE TO 260°C PEAK TEMPERATURE FOR 30 SECONDS IN A CONVECTION INFRA RED OR VAPOR PHASE REFLOW OVEN. SEE APPLICATION/PROCEDURES IF THEY ARE AVAILABLE
- THIS PRODUCT MEETS EUROPEAN UNION DIRECTIVES AND OTHER COUNTRY REGULATION AS DESCRIBED IN GS-22-008.

mat'l. code		surface ISO 1302		tolerance ISO 406 ISO 1101		projection 		product family CONAN	
ltr	ecn no	dr	date	tolerances unless otherwise specified				title CONAN™ CONNECTOR ASSEMBLY	
AE				angles	linear	.xx±.01/0.3 .xxx±.005/0.13 .xxxx±.0020/0.051		INCH/MM	
				0°±2°		scale 5:1		dwg no 91900 sheet 6 of 7 size A3	
				dr	R.SEIPLE	11/13/91		FCI	
				enrg	D.HORCHLER	01/10/92		type Product Customer Drawing	
				chr	D.HORCHLER	01/10/92			
				appd	D.HORCHLER	01/10/92			
sheet index	revision sheet								

PRODUCT NUMBER  
SEE TABLE

CONAN ASSEMBLY PART NUMBER

919 T C - W X Y ZZ LF

LEAD FREE OPTION  
SEE NOTE 11

TYPE	T
HEADER WITH NO PEGS	0
HEADER WITH PEGS	1
RECEPTACLE WITH NO PEGS	2
RECEPTACLE WITH PEGS	3

PICK AND PLACE CAP OR TAPE (NOTE 4)	C
WITHOUT CAP OR TAPE	0
WITH CAP	1
WITH TAPE (RECEPTACLE ONLY)	2

PACKAGING	W
TUBE	2
PRESSURE SEALED TAPE & REEL	3

NOTE 4

Y	HEADER HEIGHT	RECEPTACLE HEIGHT	MATED HEIGHT	+ .010 - .008 [+.25] [-.20]
1	.034 [.86]	.129 [3.28]	.163 [4.15]	
2	.048 [1.23]	SEE Y=1 FOR ALL RECEPTACLES	.177 [4.50]	
3	.068 [1.73]		.197 [5.00]	
4	.107 [2.72]		.236 [6.00]	
5	.1465 [3.721]		.276 [7.00]	
* 6	.088 [2.23]		.216 [5.50]	
** 7	.1665 [4.229]		.296 [7.52]	

X	PLATING
1	15u"/.38u GXT™
2	30u"/.76u GXT™

\* NOTE 8  
\*\* NOTE 9

ZZ	NUMBER OF POSITIONS
09	9
11	11
15	15
21	21
25	25
31	31
41	41
51	51
69	69

EXAMPLE: 91921-31125LF  
IS A CONAN RECEPTACLE ASSEMBLY,  
HAVING NO PEGS AND WITH A PICK AND PLACE CAP.  
IT ALSO HAS GXT™ PLATING, IS .13 [3.2] HIGH AND 25  
POSITIONS AND IS PACKAGED IN PRESSURE SEALED TAPE,  
REEL AND LEAD FREE.



Copyright FCI

mat'l. code		surface ISO 1302 ✓		tolerance ISO 406 ISO 1101		projection INCH/MM		product family CONAN	
ltr	ecn no	dr	date	tolerances unless otherwise specified				title CONAN™ CONNECTOR ASSEMBLY	
AE				angles	linear	.xx±.01/0.3 .xxx±.005/0.13		dwg no 91900	
				0°±2'		.xxxx±.0020/0.051		sheet 7 of 7 size A3	
				dr	R.SEIPLE	11/13/91		type Product Customer Drawing	
				engr	D.HORCHLER	01/10/92			
				chr	D.HORCHLER	01/10/92			
				appd	D.HORCHLER	01/10/92			
sheet index	revision sheet								