

1

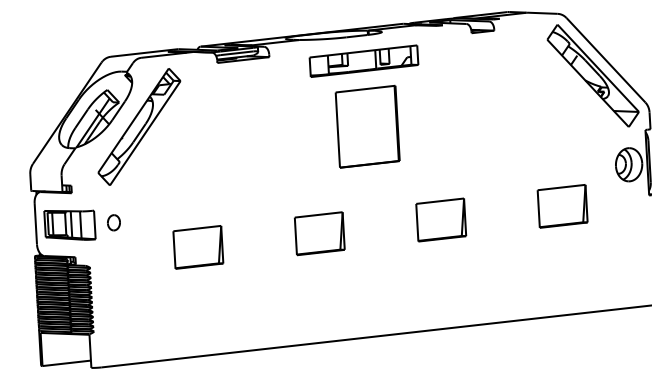
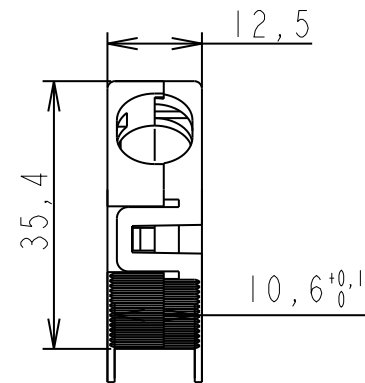
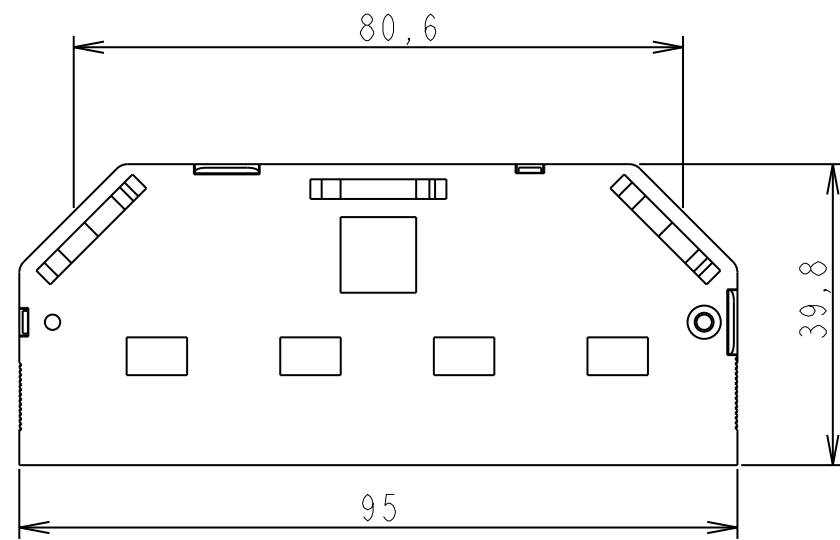
2

3

4

PACKAGING:

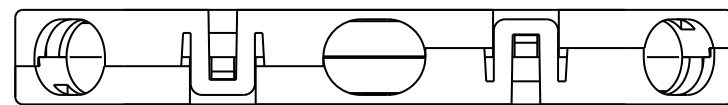
- Each P/N consists of 2 half hoods
- 20 P/N in plastic bag (40 half hoods)
- Such 10 plastic bags in a suitable shipping box



NOTE: RoHS INFORMATIONS

- The "LF" product meets European union Directives and other country regulations as described in GS-22-008.
- The product is not intended to be exposed to a manufacturing solder process.
- Packaging spec: see GS-14-920.

Part Number: 8609-3162LF



Copyright FCI.

www.fciconnect.com		surface ISO 1302	tolerance std ISO 406 ISO 1101	projection mm
		TOLERANCES UNLESS OTHERWISE SPECIFIED		mm
Dr	GOISNARD	2005-10-17	ANGULAR	LINEAR
Eng	TARON	2005-10-17	0.X	±0.3
Chr	M JACOB	2011-03-21	0.XX	±0.1
Appr	BIJU K PAUL	2011-03-21	0.XXX	±0.05
Product family		DIN		Spec ref
FCI		CAPOT DIN 41612		dwg no
		POUR CONNECTEUR 96 POINTS		C-8609-1198
catalog no		CUSTOMER		sheet 1 of 1

rev	ecn no	dr	date
A	LS05-0086	HLE	2005-10-17
B	LS06-0208	LGO	2006-12-12
C	111-0057	MJA	2011-03-21
-	-	-	-
-	-	-	-
-	-	-	-
-	-	-	-

1

2

3