

PRODUCT NUMBER

71600-YXXLF

LEAD FREE, SEE NOTE 6 & 7.

TOTAL NB OF POSITION 04 TO 64
SEE SHEET 2

OPTIONAL STRAIN RELIEF
SEE SHEET 2

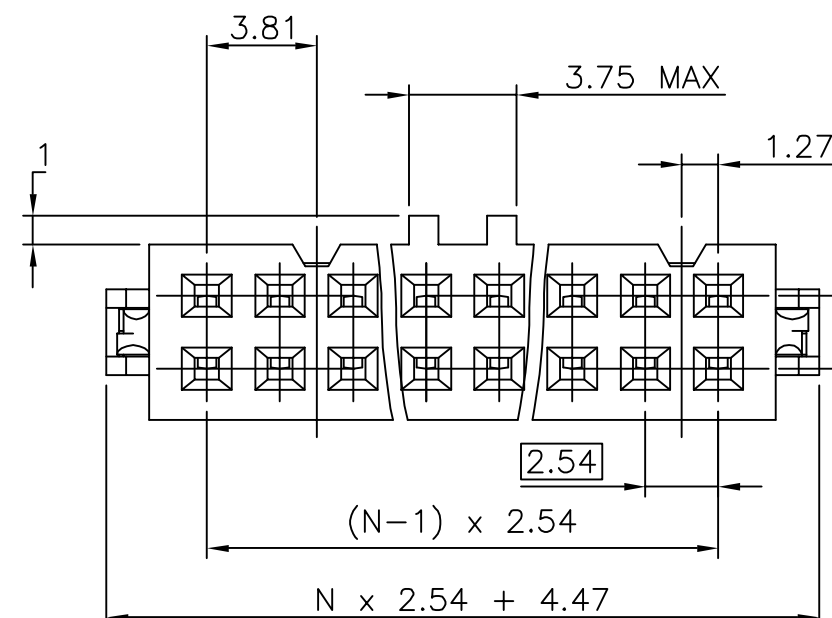
TRIANGLE INDICATES
POSITION 1
NOTE 5

LEFT POLARIZING
NOTE 5

CENTRAL KEY
NOTE 5

RIGHT POLARIZING
NOTE 5

6.1 MAX



COVER ORIENTATION

CABLE ENTRY
TRIANGLE SIDE

D D SECTION

NOTES:

- 1 - PLASTIC MAT'L : GLASS FILLED HIGH TEMPERATURE THERMOPLASTIC. UL94V-0 COLOR: GREY
- 2 - PIN MATERIAL : PHOSPHOR BRONZE
- 3 - PRODUCT PACKAGED IN TUBES.
- 4 - TO DETERMINE DIMENSIONS :
N = NUMBER OF POSITIONS
EXAMPLE : 8 POS $N \times 2.54 = 20.32\text{mm}$
- 5 - 2x5, 2x6, 2x7 HAVE NO LEFT POLARIZING SLOT.
- 2x2, 2x3 WITH CENTRAL KEY HAVE NO TRIANGLE, NO LEFT AND RIGHT POLARIZING SLOT.
- 2x2 WITHOUT CENTRAL KEY HAS NO LEFT AND RIGHT POLARIZING SLOT.
- 2x3, 2x4 WITHOUT CENTRAL KEY HAVE NO LEFT POLARIZING SLOT
- 2x4 WITH CENTRAL KEY HAVE NO LEFT AND RIGHT POLARIZING SLOT
- 6 - 71600-XXXLF IS SIMILAR TO 71600-XXX, THE SUFFIX 'LF' IS ADDED FOR LEAD FREE IDENTIFICATION.
- 7 - THIS PRODUCT MEETS EUROPEAN UNION DIRECTIVES AND OTHER COUNTRY REGULATIONS AS PER GS-22-008.
PACKAGING SPECIFICATION AS PER GS-14-920.

mat'l. code				tolerances unless otherwise specified			CUSTOMER COPY	FCI ELECTRONICS	
ltr	ecn no	dr	date	linear	x.x ±0.3	projection		title	www.fciconnect.com
AG	F04-0330	LMU	04.09.01	linear	x.xx ±0.13		QUICKIE III FEM	0.76µm Au	
AH	F05-0109	JCO	05.01.17	angles	x.xxx ±0.05				
AJ	F05-0171	LMU	05.04.07	angles			product family	2.54MM IDC	code
AK	F05-0180	LMU	05.04.22	dr	D.LE 01.01.24		size	dwg no	213
AE	F03019	DLE	03.01.23	chr	P.NZ 01.01.24	scale	A3	71600	sheet 1 of 2
AF	F04-0168	LMU	04.04.08	appd	JF.N 01.01.24	5:1			
sheet index	revision sheet	AK	AC						

All rights strictly reserved. Reproduction or use in any form without written authority from the proprietor. Property of FCI Electronics S.A. Copyright FCI Electronics S.A.



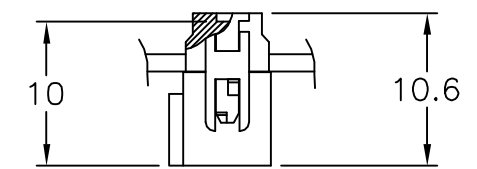
CORE RANGE	
STRAIN RELIEF	Nbr OF POSITIONS
0/1	04
0/1	06
0/1	08
0/1	10
0/1	14
0/1	16
0/1	18
0/1	20
0/1	24
0/1	26
0/1	30
0/1	34
0/1	40
0/1	50
0/1	60
0/1	64

PLATING
0.76µm GOLD ON CONTACT AREA
1.27 µm Ni REMAINDER OF PRODUCT

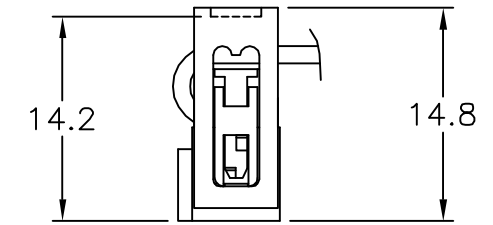
CATALOGUE RANGE	
STRAIN RELIEF	Nbr OF POSITIONS
2/6	04
2/6	06
2/6	08
2/6	10
2/6	14
2/6	16
2/6	18
2/6	20
2/6	24
2/6	26
2/6	30
2/6	34
2/6	40
2/6	50
2/6	60
2/6	64

PLATING
0.76µm GOLD ON CONTACT AREA
1.27 µm Ni REMAINDER OF PRODUCT

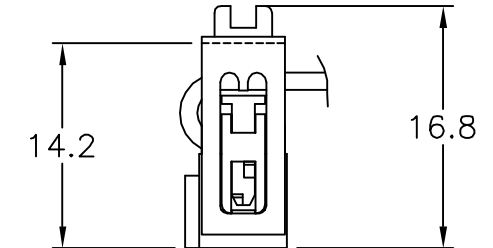
624
304
204 / 224
004
DASHES NOT AVAILABLE



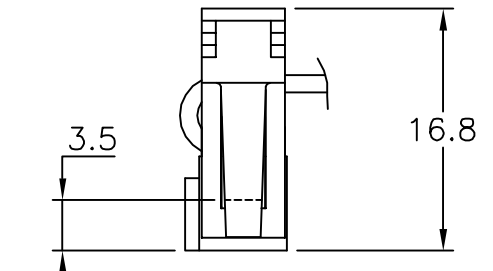
WITHOUT STRAIN RELIEF



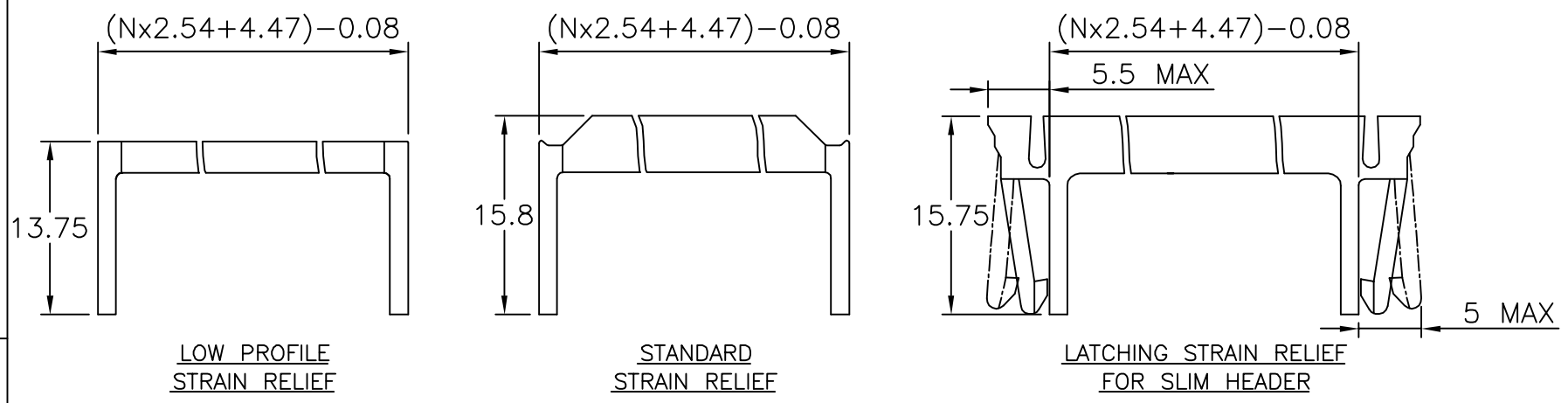
WITH LOW PROFILE STRAIN RELIEF



WITH STANDARD STRAIN RELIEF



WITH LATCHING STRAIN RELIEF



LOW PROFILE STRAIN RELIEF

STANDARD STRAIN RELIEF

LATCHING STRAIN RELIEF FOR SLIM HEADER

71600-6YY	●					●
71600-3YY		●	●			
71600-2YY	●			●		
71600-1YY	●				●	
71600-0YY	●		●			
PRODUCT NUMBER	WITH	WITHOUT	STANDARD	WITHOUT	LOW PROFILE	LATCHING
	CENTRAL KEY		STRAIN RELIEF			

mat'l. code				tolerances unless otherwise specified			CUSTOMER COPY		ELECTRONICS www.fciconnect.com		
ltr	ecn no	dr	date	linear	angles	D.LE	01.01.24	projection	title		
X	F70666	AAN	97.11.05						IDC RECEPT DR		
Y	F10121	DLE	01.01.24	enr	P.NZ	01.01.24	mm	scale	product family		
AA	F10199	GCO	01.04.26						QUICKIE		
AB	F03019	DLE	03.01.23	chr	JF.N	01.01.24	N/A	A3	size	code	
AC	F05-0180	LMU	05.04.22						dwg no	213	
sheet index		revision sheet		chr		appd		P.NZ		01.01.24	
										71600	
										2 of -	