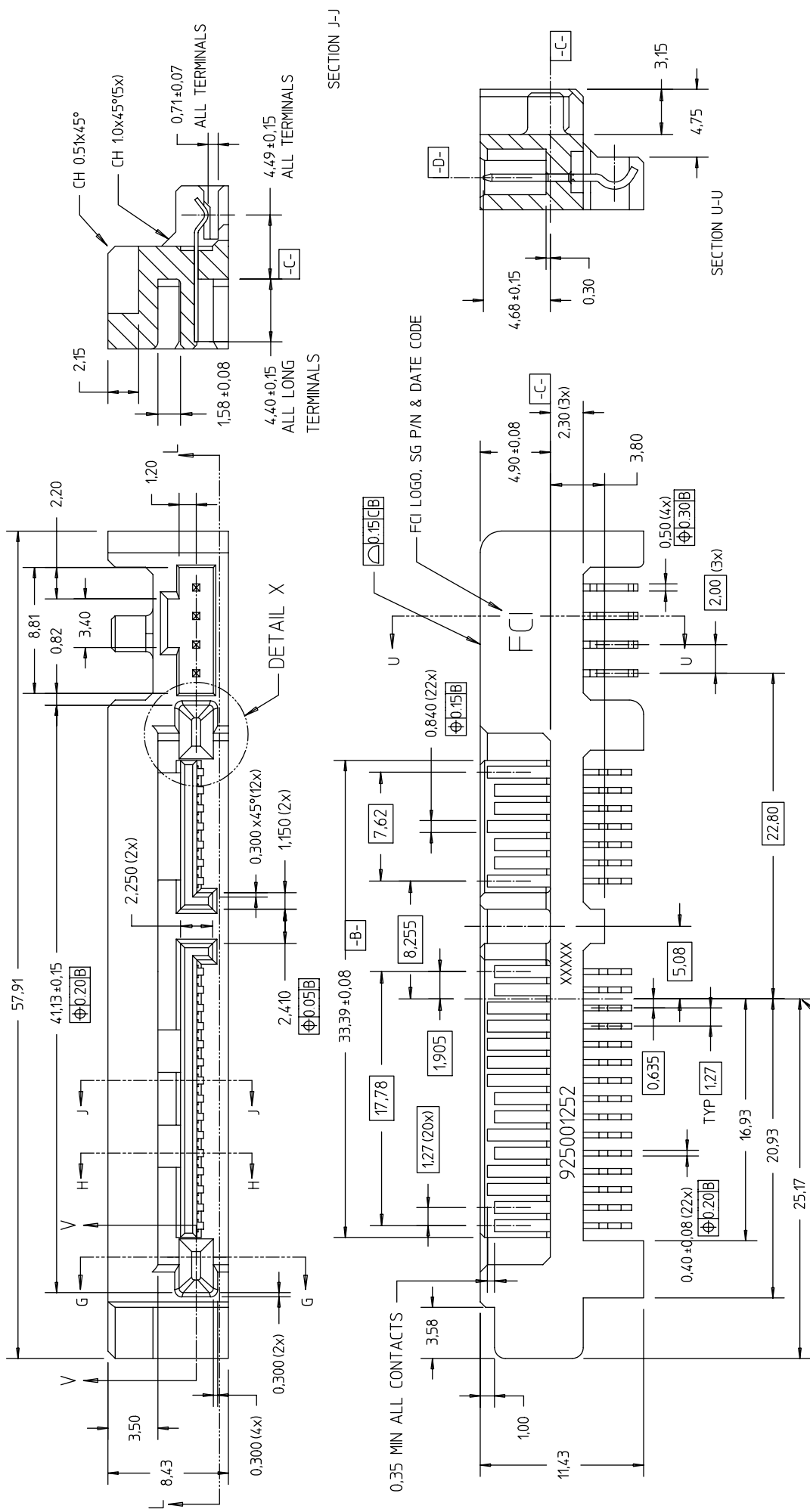
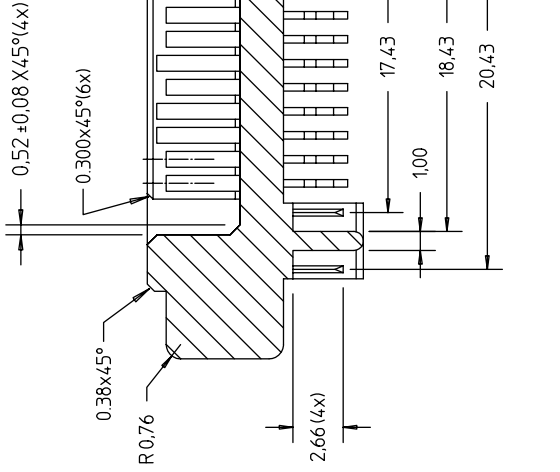


PRODUCT NO
10083495-001LF

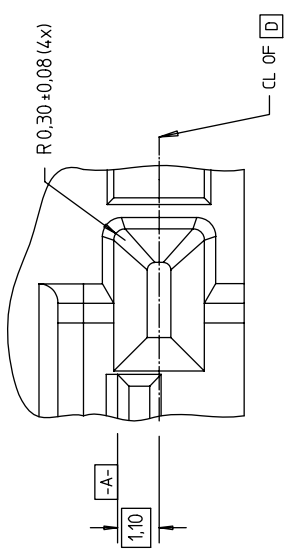


mat'l. code		surface		tolerance		projection		product family	
ISO 1302		ISO 406 ISO 1101		mm		SATA PLUG		SATA COMBO PLUG	
tolerances unless otherwise specified		linear		x.xx ± 0.20		title		dwg no	
angles		3°		x.xxx ± 0.10		SATA COMBO PLUG		10083495	
				x.xxx ± 0.05		scale 2.5 : 1		sheet 1 of 3 size	
dr		R. CRASTA		2008-03-10		FCI		A4	
enfr		R. CRASTA		2008-09-25					
chr		R. CRASTA		2008-09-25					
appd		JOEY NG		2008-09-25					
sheet index		revision		sheet		type		CUSTOMER Drawing	
1		1		4		4		5	

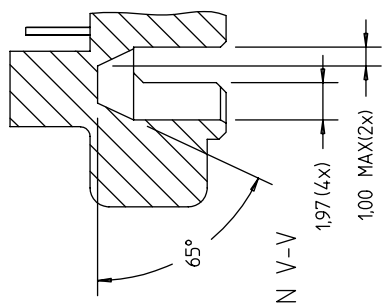
PRODUCT NO
10083495-001LF



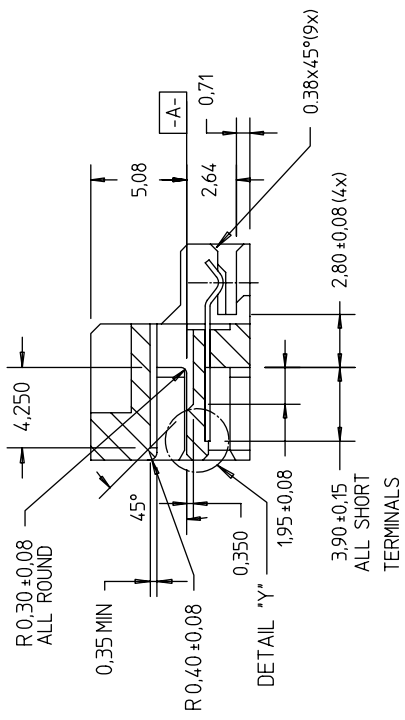
SECTION L-L



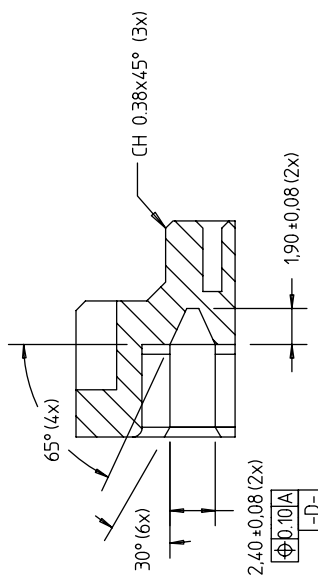
DETAIL "X"



SECTION V-V



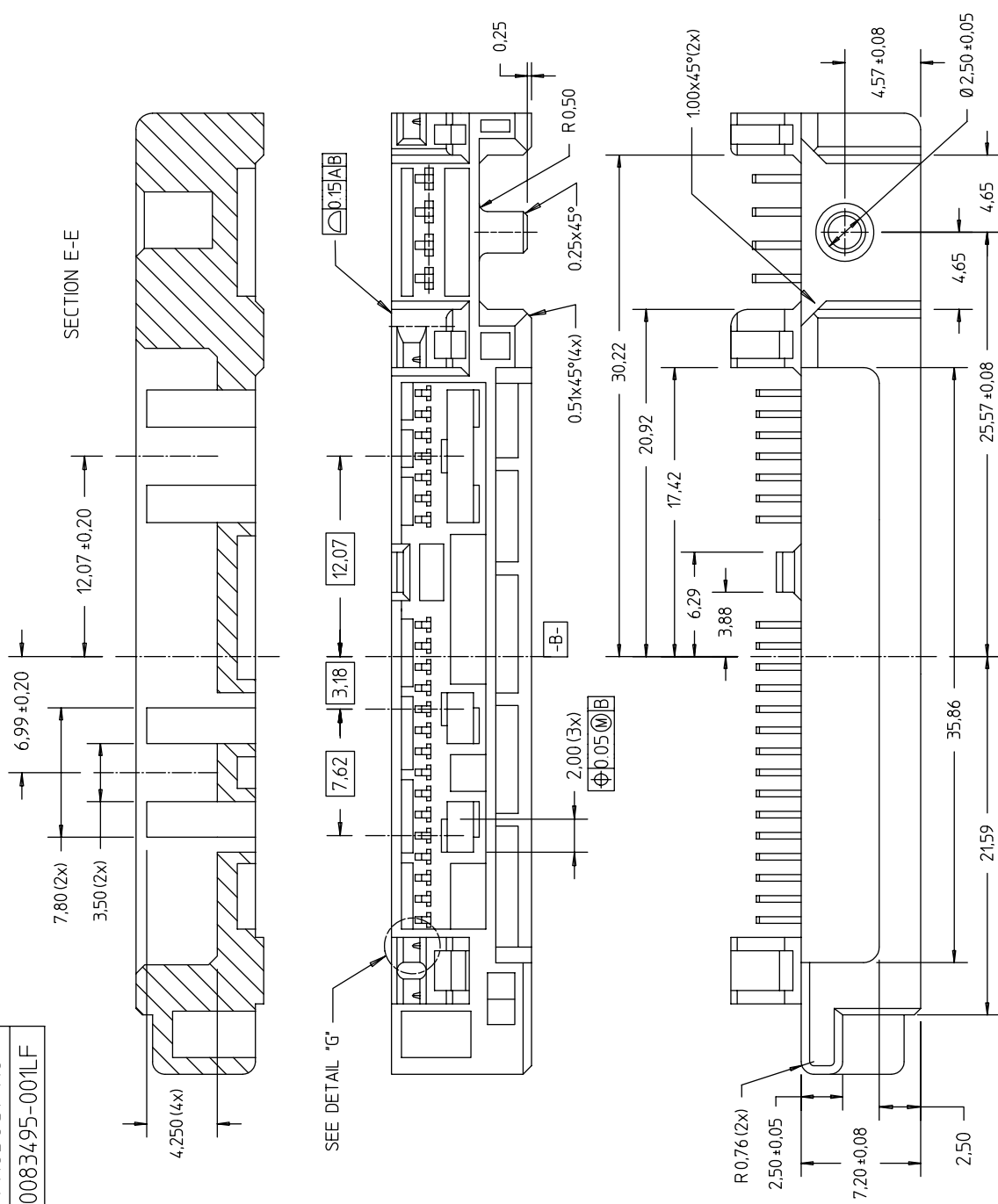
SECTION H-H



SECTION G-G

mat'l. code		surface		tolerance		projection		product family		SATA PLUG	
ISO 1302		ISO 406 ISO 1101		ISO 406 ISO 1101		Scale 2.5 : 1		SATA COMBO PLUG		title	
angles		linear		linear		Scale 2.5 : 1		SATA COMBO PLUG		dwg no	
A		B		R. CRASTA		2008-03-10		SATA COMBO PLUG		sheet 2 of 3	
B		R. CRASTA		2008-09-25		2008-09-25		SATA COMBO PLUG		10083495	
R. CRASTA		2008-09-25		2008-09-25		2008-09-25		SATA COMBO PLUG		CUSTOMER	
JOEY NG		2008-09-25		2008-09-25		2008-09-25		SATA COMBO PLUG		Drawing	
sheet index		revision		sheet		sheet		SATA COMBO PLUG		type	
1		1		1		1		SATA COMBO PLUG		CUSTOMER	
1		1		1		1		SATA COMBO PLUG		Drawing	

PRODUCT NO
10083495-001LF



DETAIL "G"

NOTES :

- 1 MATERIAL: CONTACT PINS: BRASS C2680
HOUSING: 30% GLASS FILLED LCP BLACK, UL 94V-0
- 2 FINISH :
A: SATA SIGNAL & POWER PINS: 127µM MIN NICKEL
UNDERPLATING WITH 0.38µM GOLD IN CONTACT AREA
B: SQUARE PINS: 127µM MIN NICKEL UNDERPLATE
WITH 0.076µM GOLD FLASH IN CONTACT AREA
C: SOLDER TAIL: 19µM MIN LEAD FREE(100%) MATTE TIN
PIN RETENTION FORCE: 2.0 LBS MIN PER PIN BEFORE AND
AFTER EXPOSURE TO REFLOW (245°C) TEMPERATURE
- 4 PACKAGING: CLEAR ANTISTATIC CARTRIDGE TUBE.
- 5 PRODUCT SPECIFICATIONS: GS-12-194
- 6 PART MARKING: SEAGATE PART NUMBER, FCI LOGO AND
DATE CODE SHALL BE MARKED ON THE SURFACE OF THE
CONNECTOR APPROXIMATELY AS SHOWN. HEIGHT OF
CHARACTERS TO BE MAXIMUM POSSIBLE.
- 7 THIS PRODUCT MEETS EUROPEAN UNION DIRECTIVES AND
OTHER COUNTRY REGULATIONS AS DESCRIBED IN GS-22-008
- 8 THIS HOUSING WILL WITHSTAND EXPOSURE TO 260°C
TEMPERATURE FOR 10 SECONDS IN A CONVECTION,
INFRA-RED OR VAPOR PHASE REFLOW OVEN

mat'l. code		surface		tolerance		projection		product family		SATA PLUG	
ISO 1302		ISO 406 ISO 1101		ISO 406 ISO 1101		SATA PLUG		SATA PLUG		SATA PLUG	
tolerances unless otherwise specified		linear		linear		SATA PLUG		SATA PLUG		SATA PLUG	
angles		linear		linear		SATA PLUG		SATA PLUG		SATA PLUG	
scale 2.5 : 1		scale 2.5 : 1		scale 2.5 : 1		SATA PLUG		SATA PLUG		SATA PLUG	
dr		R. CRASTA		2008-03-10		FCI		SATA PLUG		SATA PLUG	
engr		R. CRASTA		2008-09-25		FCI		SATA PLUG		SATA PLUG	
chr		R. CRASTA		2008-09-25		FCI		SATA PLUG		SATA PLUG	
appd		JOEY NG		2008-09-25		FCI		SATA PLUG		SATA PLUG	
sheet		revision		sheet		drawing		SATA PLUG		SATA PLUG	
index		sheet		sheet		drawing		SATA PLUG		SATA PLUG	
dwg no		sheet		sheet		drawing		SATA PLUG		SATA PLUG	
10083495		3 of 3		3 of 3		drawing		SATA PLUG		SATA PLUG	
type		CUSTOMER		CUSTOMER		drawing		SATA PLUG		SATA PLUG	
drawing		drawing		drawing		drawing		SATA PLUG		SATA PLUG	